

Flush-type connector - SACC-DSI-MS-8CON-L180/SH TQ - 1456530

Please be informed that the data shown in this PDF Document is generated from our Online Catalog. Please find the complete data in the user's documentation. Our General Terms of Use for Downloads are valid (<http://phoenixcontact.com/download>)



Sensor/actuator flush-type plug, with water blue contact carrier, 8-pos., M12 SPEEDCON, shielded, rear/screw mounting with M16 thread, with straight solder connection



Key Commercial Data

Packing unit	20 pc
GTIN	
GTIN	4046356617154

Technical data

Dimensions

Length of the solder pin	6 mm
--------------------------	------

Ambient conditions

Ambient temperature (operation)	-25 °C ... 85 °C (Plug / socket)
Degree of protection	IP65/IP67

General

Rated current at 40°C	2 A
Rated voltage	30 V
Rated surge voltage	0.8 kV
Number of positions	8
Insulation resistance	≥ 100 MΩ
Coding	A - standard
Standards/regulations	M12 connector IEC 61076-2-101
Status display	No
Overvoltage category	II
Degree of pollution	3
Connection method	Solder pins
Insertion/withdrawal cycles	≥ 100

Flush-type connector - SACC-DSI-MS-8CON-L180/SH TQ - 1456530

Technical data

General

Mounting type	Rear mounting M16 x 1.5 With flat nut
---------------	---------------------------------------

Material

Flammability rating according to UL 94	V0
Contact material	CuZn
Contact surface material	Ni/Au
Contact carrier material	PA 6.6
Material, knurls	Zinc die-cast, nickel-plated
Sealing material	FKM

Cable

Standards/specifications	M12 connector IEC 61076-2-101
Transmission characteristics (category)	CAT5 (IEC 11801:2002)

Standards and Regulations

Standard designation	M12 connector
Standards/regulations	IEC 61076-2-101
Flammability rating according to UL 94	V0

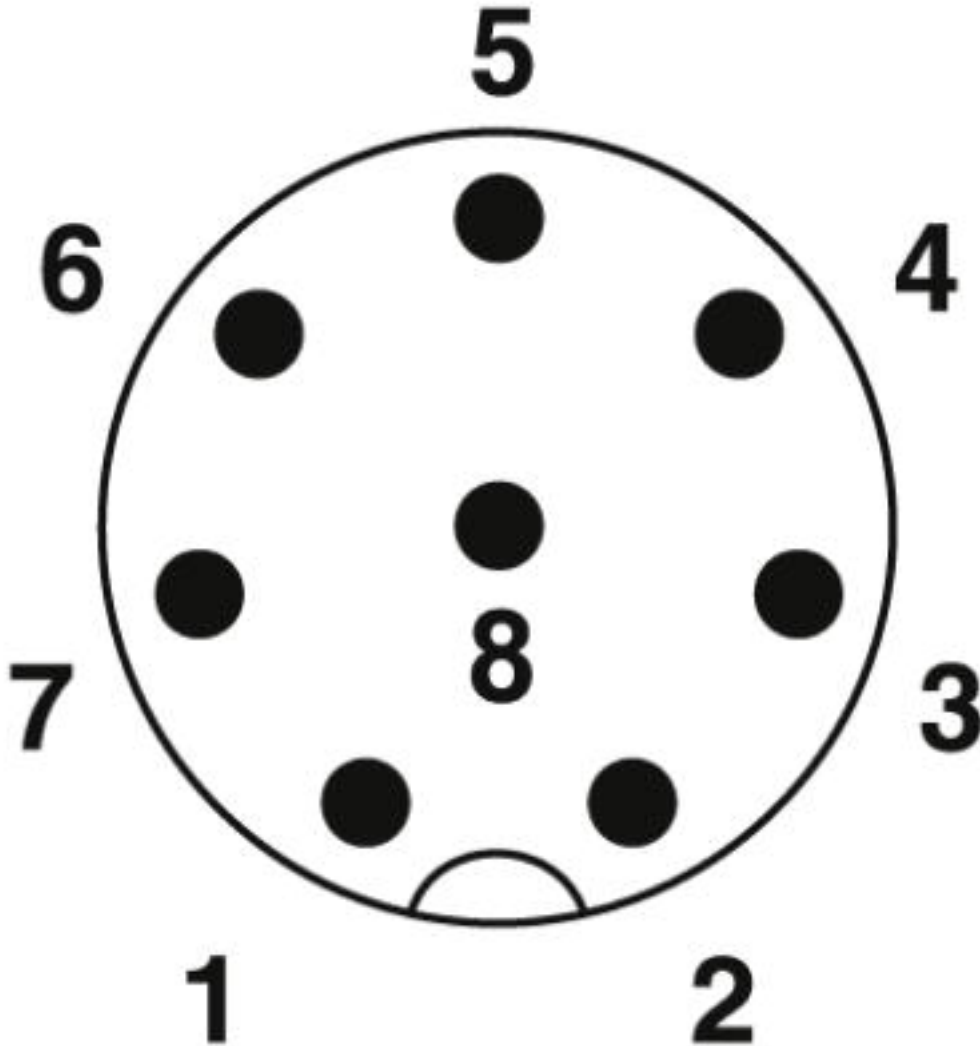
Environmental Product Compliance

China RoHS	Environmentally Friendly Use Period = 50
	For details about hazardous substances go to tab "Downloads", Category "Manufacturer's declaration"

Drawings

Flush-type connector - SACC-DSI-MS-8CON-L180/SH TQ - 1456530

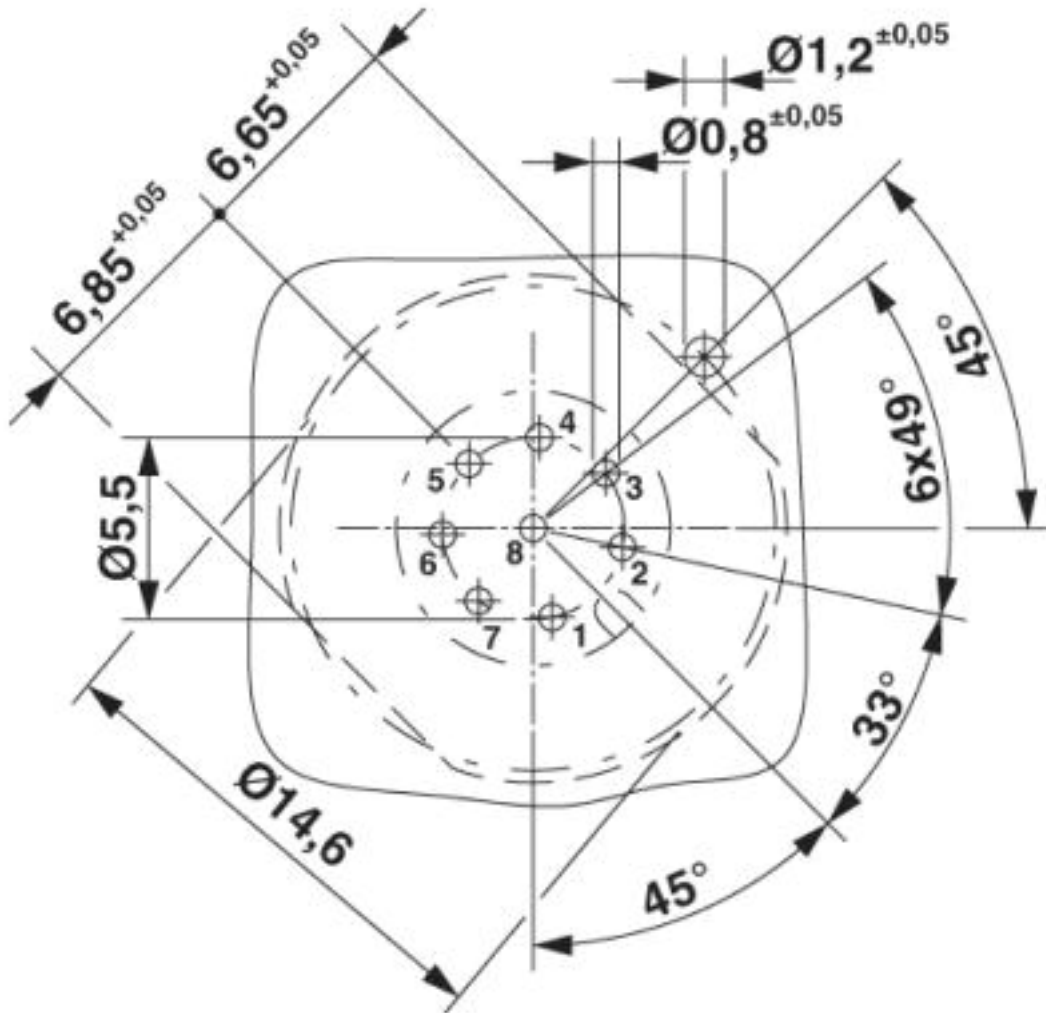
Schematic diagram



Pin assignment M12 plug, 8-pos., view plug side

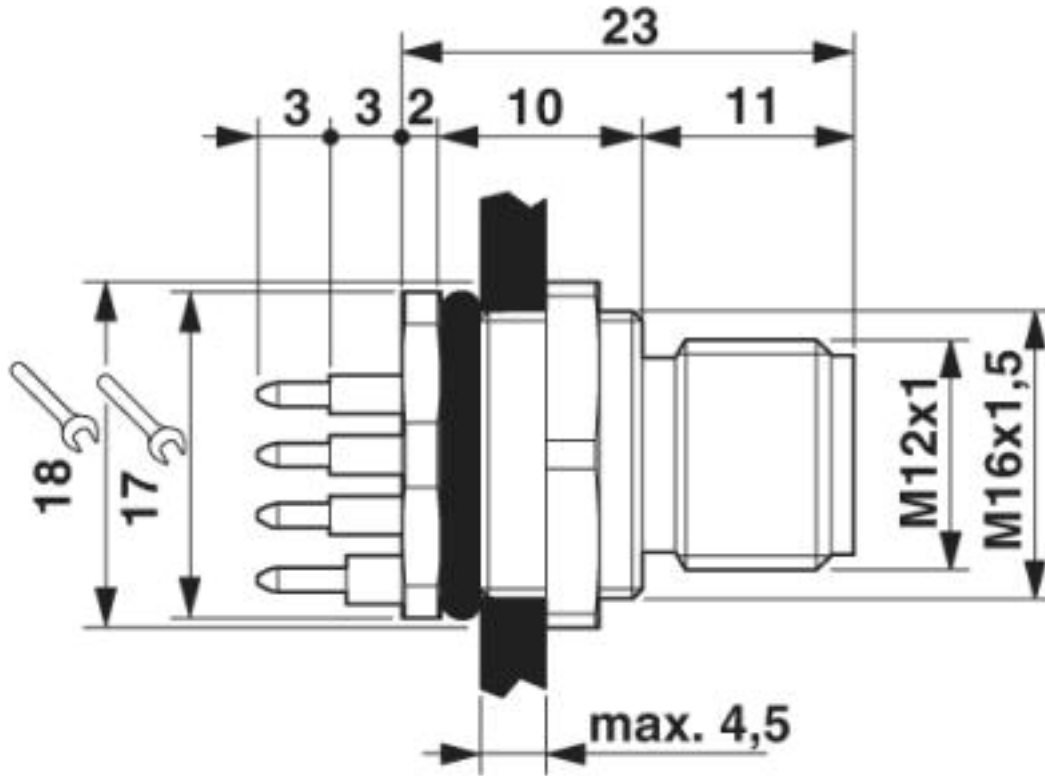
Flush-type connector - SACC-DSI-MS-8CON-L180/SH TQ - 1456530

Drilling diagram



Flush-type connector - SACC-DSI-MS-8CON-L180/SH TQ - 1456530

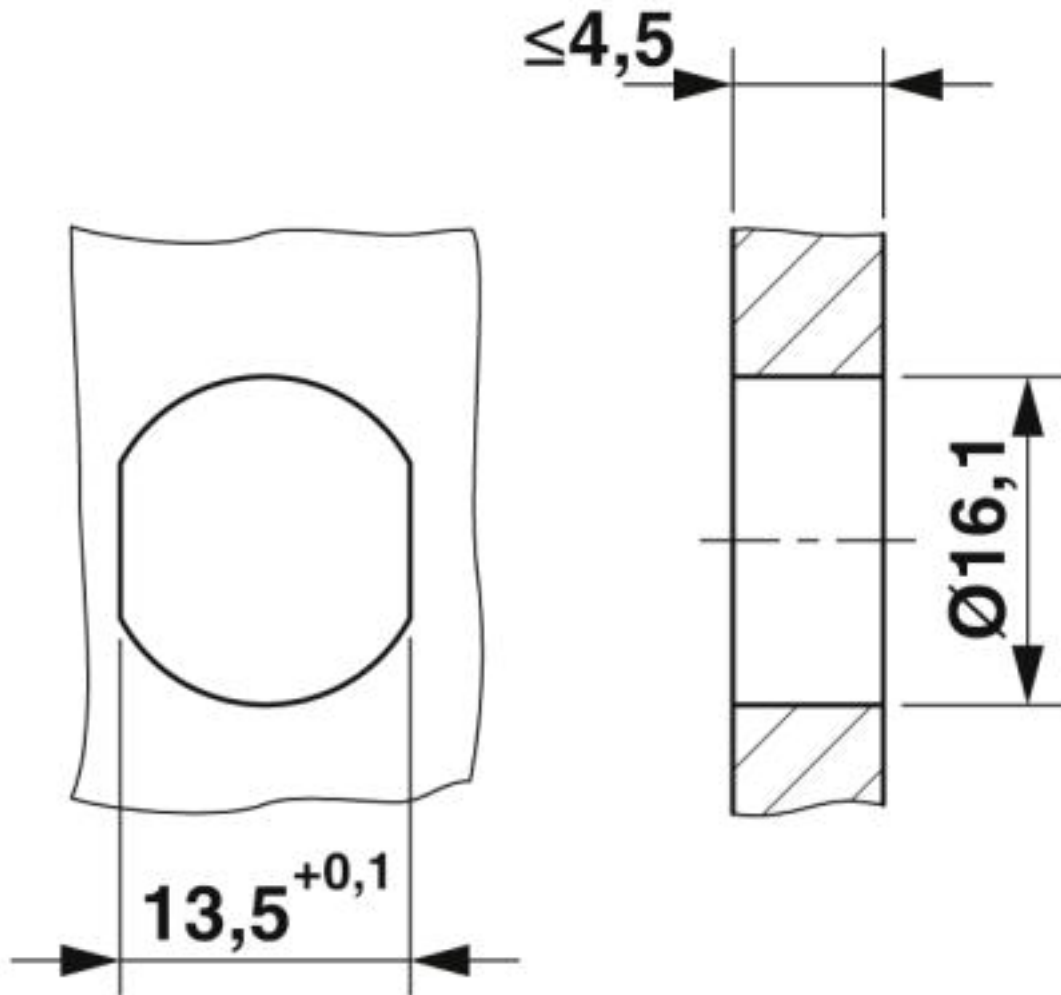
Dimensional drawing



M12 flush-type connector

Flush-type connector - SACC-DSI-MS-8CON-L180/SH TQ - 1456530

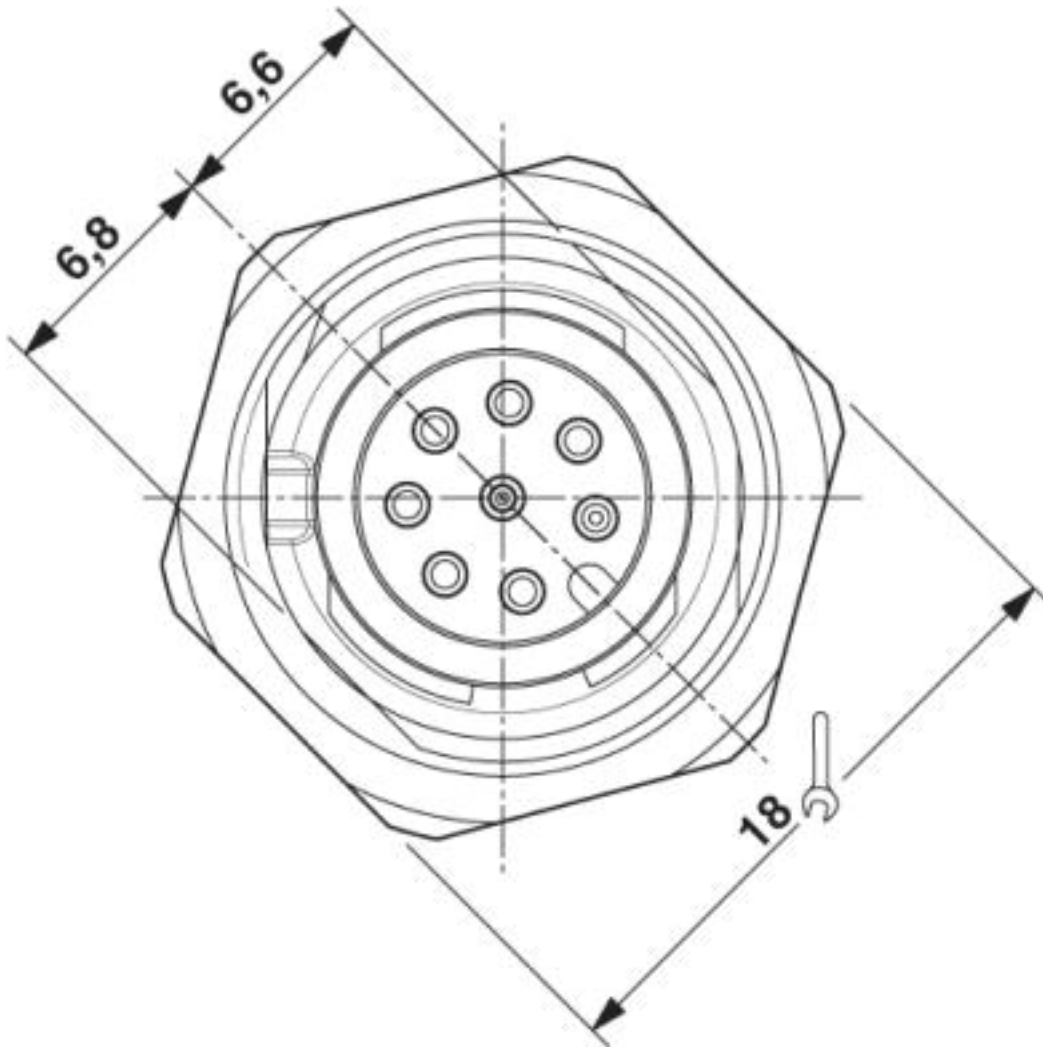
Dimensional drawing



Housing cutout for M16 fastening thread, mounting panel with feed-through hole (alternatively with area as anti-rotation protection for panel thicknesses > 2 mm up to max. 4.5 mm)

Flush-type connector - SACC-DSI-MS-8CON-L180/SH TQ - 1456530

Dimensional drawing



M12 front view

Approvals

Approvals

Approvals

UL Recognized / EAC / cULus Recognized

Ex Approvals

Approval details

Flush-type connector - SACC-DSI-MS-8CON-L180/SH TQ - 1456530

Approvals

UL Recognized		http://database.ul.com/cgi-bin/XYV/template/LISEXT/1FRAME/index.htm	FILE E 118976
Nominal voltage UN		30 V	
Nominal current IN		2 A	
mm ² /AWG/kcmil		24	

EAC		B.01742
-----	--	---------

cULus Recognized		http://database.ul.com/cgi-bin/XYV/template/LISEXT/1FRAME/index.htm	E221474-20140616
Nominal voltage UN		30 V	
Nominal current IN		2 A	
mm ² /AWG/kcmil		24-22	

Phoenix Contact 2019 © - all rights reserved
<http://www.phoenixcontact.com>

PHOENIX CONTACT GmbH & Co. KG
Flachsmarktstr. 8
32825 Blomberg
Germany
Tel. +49 5235 300
Fax +49 5235 3 41200
<http://www.phoenixcontact.com>