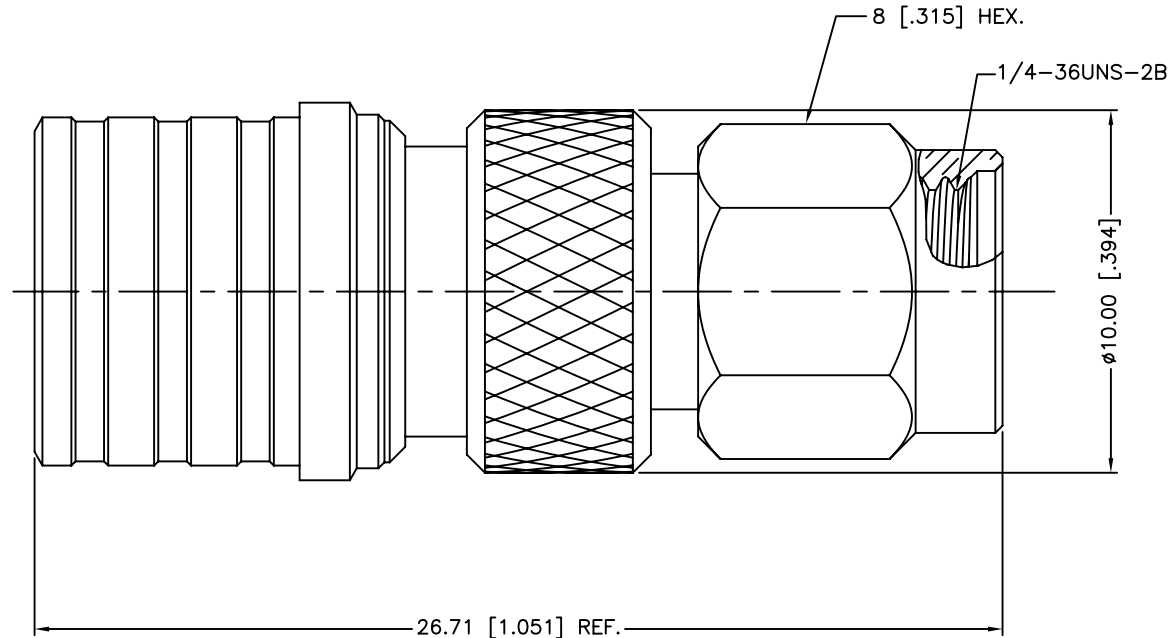
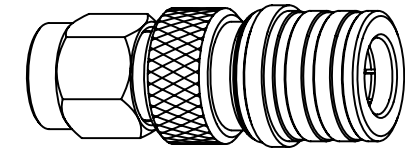


REV.	DATE	ECR NO.	DESCRIPTION
NC	01/06/12	XXXXXX	INITIAL RELEASE



1. IMPEDANCE: 50 OHM
2. FREQUENCY RANGE: DC 0-18 GHz
3. VSWR(RETURN LOSS): 1.3 MAX.
4. DIELECTRIC WITHSTANDING VOLTAGE: 1000 VRMS, MIN.
5. DURABILITY: 100 CYCLES MIN.
6. TEMPERATURE RANGE: -65°C TO +165°C

8	SHELL	BRASS	NEXCOTE	1
7	GASKET	SILICONE	RED	1
6	RETAINER RING	SUS 304	NATURAL	1
5	CONTACT PIN	BRASS	GOLD	1
4	INSULATOR	PTFE	NATURAL	1
3	BODY	BRASS	NEXCOTE	1
2	OUTER CONTACT	PHOSPHOR BRONZE	NEXCOTE	1
1	SLEEVE	BRASS	NEXCOTE	1
	DESCRIPTION	MATERIAL	FINISH	QTY

UNLESS OTHERWISE SPECIFIED DIMENSIONS ARE IN MILLIMETERS. DIMENSIONS IN [ ] ARE IN INCHES AND FOR CUSTOMER REFERENCE ONLY.

UNLESS OTHERWISE SPECIFIED TOLERANCES FOR MILLIMETERS ARE:  
0.5 - 8mm ± 0.20mm  
8 - 30mm ± 0.40mm  
30 - 120mm ± 0.50mm

UNLESS OTHERWISE SPECIFIED TOLERANCES FOR INCHES ARE:  
.020 - .315 = ± 0.007"  
.315 - 1.180 = ± 0.015"  
1.180 - 4.724 = ± 0.020"

DO NOT SCALE DRAWING

APPROVALS		DATE
DRAWN	M.ZHANG	01/06/12
CHECKED		
ISSUED		
SHEET	1 OF 1	
CAD FILE	C:/CONNEX/242260.DWG	

<b>Amphenol Connex</b>			
PART DESCRIPTION			
<b>QMA PLUG TO SMA PLUG ADAPTER (FOR 50 OHM)</b>			
PART NO.		<b>242260</b>	
DWG. NO.	242260.DWG	REV.	NC
SIZE	A	SCALE	NA