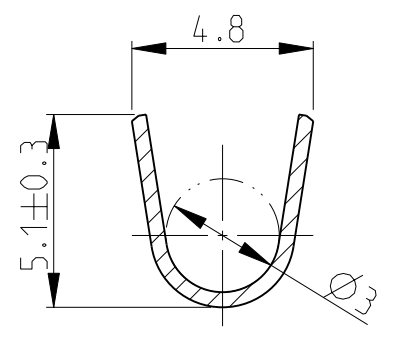
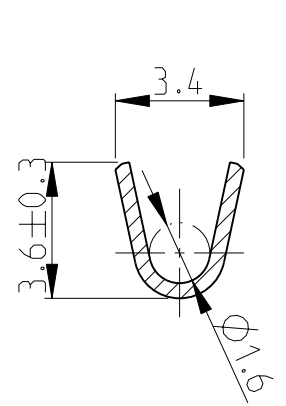
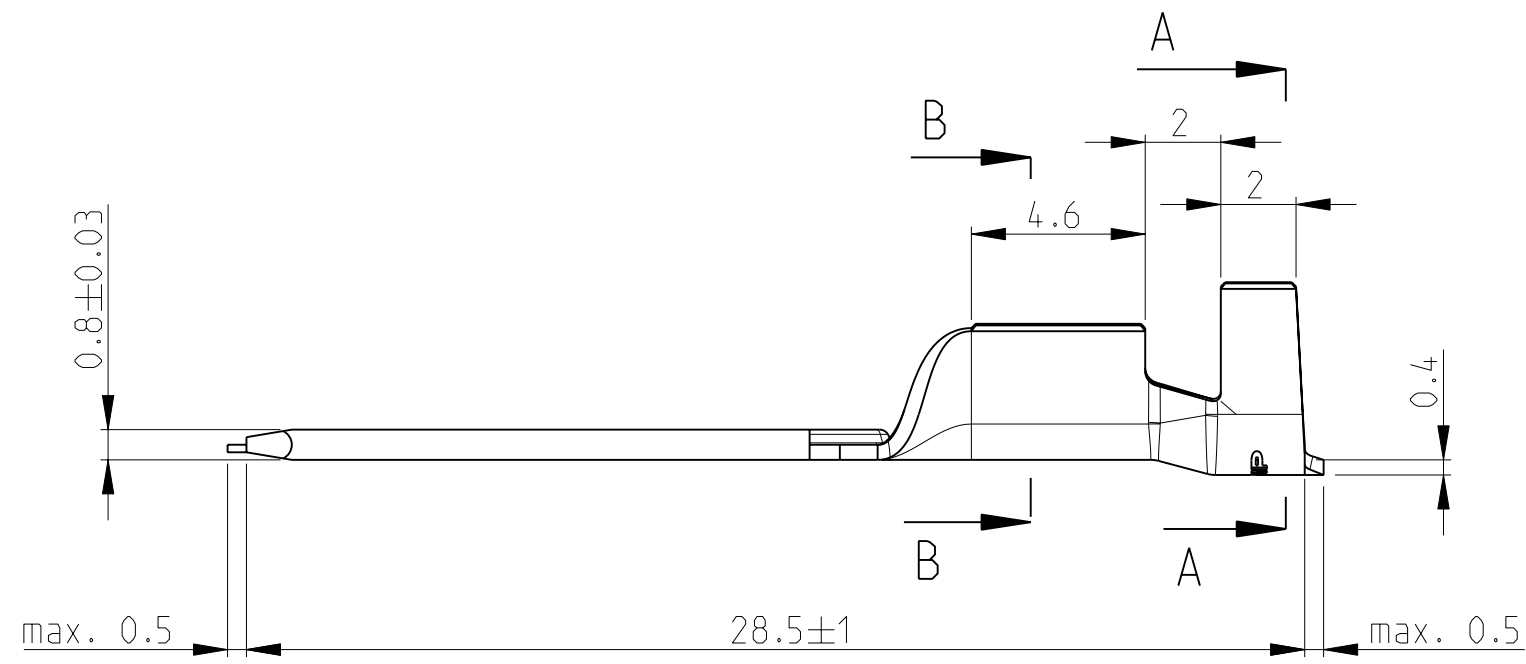


THIS DRAWING IS UNPUBLISHED. RELEASED FOR PUBLICATION 2003
 © COPYRIGHT 2003 BY TYCO ELECTRONICS CORPORATION. ALL RIGHTS RESERVED.

LOC	DIST	REVISIONS			
P	LTR	DESCRIPTION	DATE	DWN	APVD
A1	-	DRAWING RESTYLED	31MAR2004	Ba.	PL.
A1	-	SPLICE FREE VERSION ADDED	08APR2010	PKS	RRP
A2	-	NOTE ON OIL RESIDUE ADDED	09DEC2010	PKS	MP



SECTION B-B
SCALE 5:1

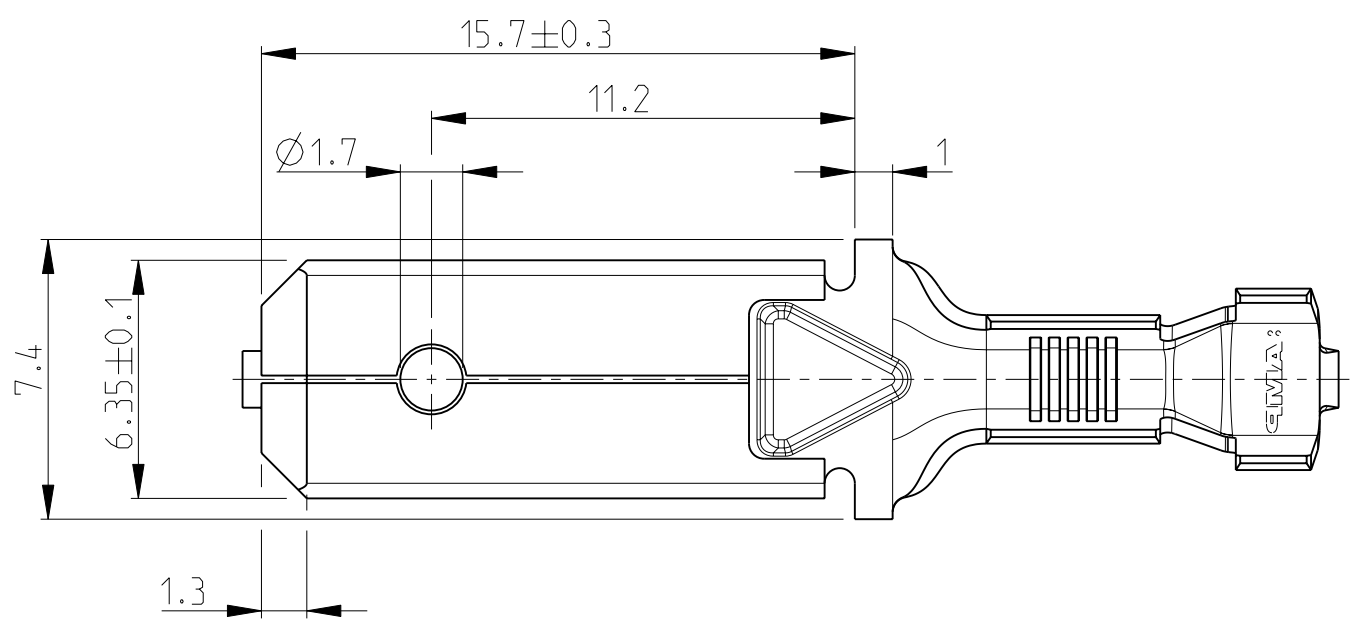
SECTION A-A
SCALE 5:1

- Kontakt geeignet fuer:
 - Lackdraht \varnothing 0.9...1.6mm (auch bei Verwendung von Backlackdraht)
 - Isolation \varnothing 2.5...3.5mm
- SLOT ACCEPTS:
 - MAGNET WIRE 0.9...1.6mm DIA (THE SAME BY ENAMELED WIRE)
 - ISOLATION 2.5...3.5mm DIA



SPLICE FREE VERSION

4. NO VISIBLE OIL RESIDUES



	BLANK	1-928890-1
	BLANK	928890-1
NOTE	FINISH	PART NO

THIS DRAWING IS A CONTROLLED DOCUMENT FOR TYCO ELECTRONICS CORPORATION IT IS SUBJECT TO CHANGE AND THE CONTROLLING ENGINEERING ORGANIZATION SHOULD BE CONTACTED FOR THE LATEST REVISION.

DIMENSIONS: mm		TOLERANCES UNLESS OTHERWISE SPECIFIED:	
		0 PLC \pm	} ± 0.2
		1 PLC \pm	
		2 PLC \pm	
		3 PLC \pm	
		4 PLC \pm	
MATERIAL -		ANGLES $\pm 1^\circ$	
		FINISH -	

DWN Goerke 25SEP1989	Tyco Electronics Tyco Electronics AMP GmbH D - 64625 Bensheim	
CHK Ploesser 26SEP1989	NAME FASTON TAB, SIZE 6.3 (AMPLIVAR) WITH INSULATION SUPPORT	
APVD -	PRODUCT SPEC -	APPLICATION SPEC -
SIZE A3	CAGE CODE 00779	DRAWING NO 928890
CUSTOMER DRAWING		RESTRICTED TO -
SCALE 5:1	SHEET 1 OF 1	REV A2