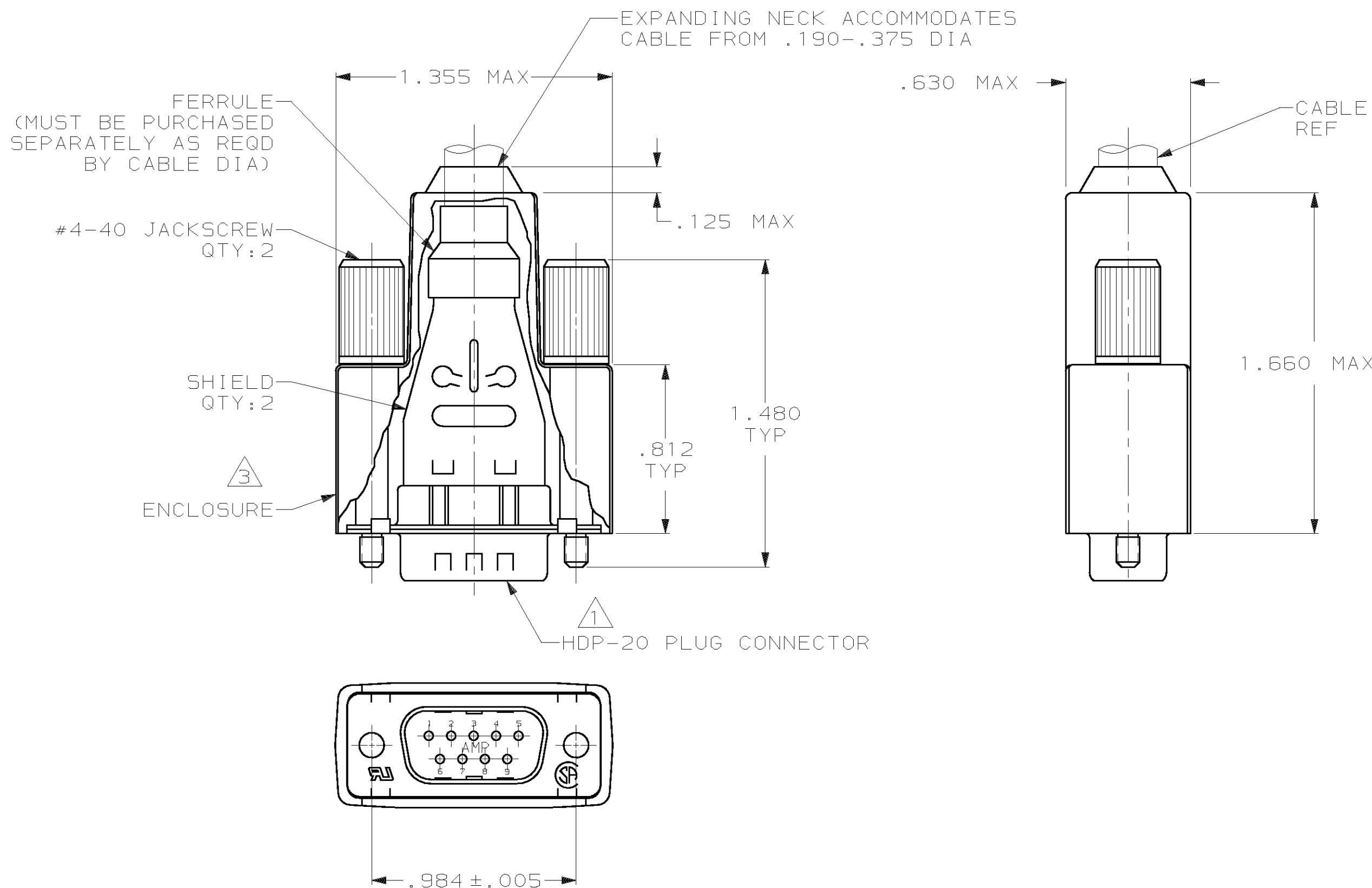


THIS DRAWING IS UNPUBLISHED. RELEASED FOR PUBLICATION
 © COPYRIGHT 19 BY AMP INCORPORATED. ALL INTERNATIONAL RIGHTS RESERVED.

LOC	DIST	P	F	ZONE	LTR	DESCRIPTION	DATE	APPD
BD	48					T REV PER EC 0U1D-0260-00	13 SEP 01	JR



- 1 PLUG ACCEPTS SIZE 20 DF PIN CONTACTS. CONTACTS MUST BE PURCHASED SEPARATELY.
- 2. ALL PARTS SHIPPED UNASSEMBLED.
- 3 FLAME RETARDANT 94V-0 RATED, STYRENE POLYOLEFIN OR PVC, BLACK.
- 4 FLAME RETARDANT 94V-0 RATED GLASS FILLED, NYLON OR POLYESTER, BLACK.
- 5 STEEL PER ASTM A109.
- 6 TIN PLATING PER MIL-T-10727.
- 7 BODY: BLACK ELECTROLESS NICKEL PER QQ-N-290.
- 8 COMPONENTS INDIVIDUALLY BULK PACKED.
- 9 INDIVIDUAL KIT PACKAGING OF COMPONENTS.
- 10 SEE RESTRICTED CUSTOMER DRAWING 747952-4.
- 11 SEE RESTRICTED CUSTOMER DRAWING 747952-5.
- 12 ZINC ALLOY.
- 13 BODY: CARBON STEEL PER ASTM A 108. HEAD: PVC 94V-0 RATED, BLACK.
- 14 PHOS-E COATING, BLACK.

OBSOLETE	8	W/LOGO	7	13	747952-6
	-	-	-	-	11
	-	-	-	-	10
OBSOLETE	9	W/LOGO	14	12	747952-3
SUPERSEDED BY 747952-1	8	W/OUT LOGO	14	12	747952-2
	8	W/LOGO	14	12	747952-1
		PACKAGING	REMARKS	JACKSCREWS FINISH	JACKSCREWS MATERIAL
					PART NUMBER

DO NOT SCALE PRINT. UNLESS SPECIFIED DIMENSIONS IN INCHES TOLERANCES ON : 2 PLC DEC ± - 3 PLC DEC ± .020 ANGLES ± -	DR 6-1-90 J GALLUCCI BG	AMP INCORPORATED Harrisburg, Pa. 17105	
	CHK 8-22-90 J. McCLINTON		
MATERIAL INSERT: 4 SHELLS & SHIELDS: 5 JACKSCREW: SEE TABLE	APPD 8-23-90 BOB TAYLOR	NAME PLUG KIT, SHIELDING ENCLOSURE, 9 POSN, SIZE 1, HDP-20 AMPLIMITE™	
FINISH SHELLS & SHIELDS: 6 JACKSCREW: SEE TABLE	APPD - J. ASSINI	SIZE C	FSCM NO 00779
	PRODUCT SPEC 108-40030	DRAWING NO	747952
	APPLICATION SPEC 114-40009	SCALE 2:1	SHEET 1 OF 1
	WEIGHT -		