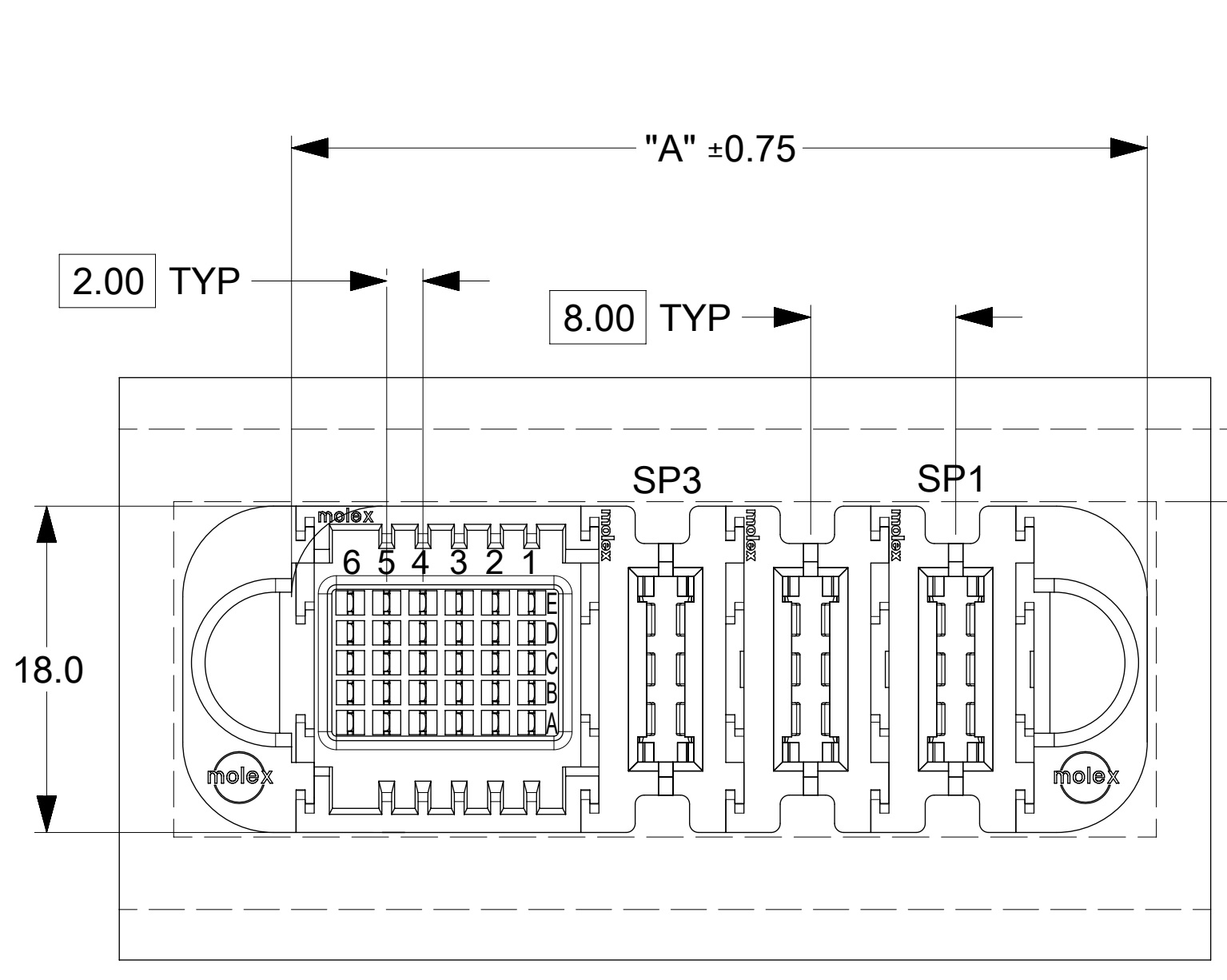
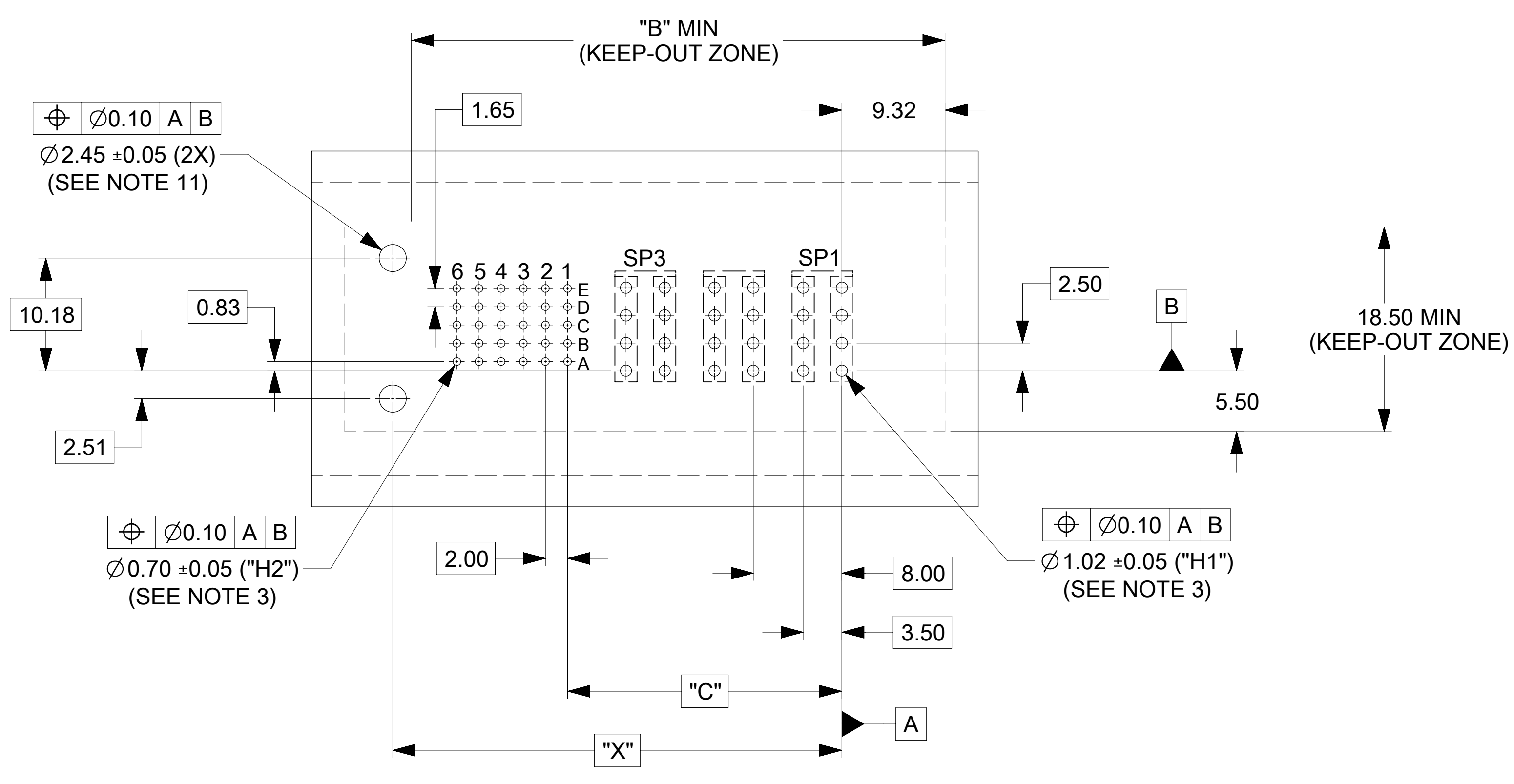
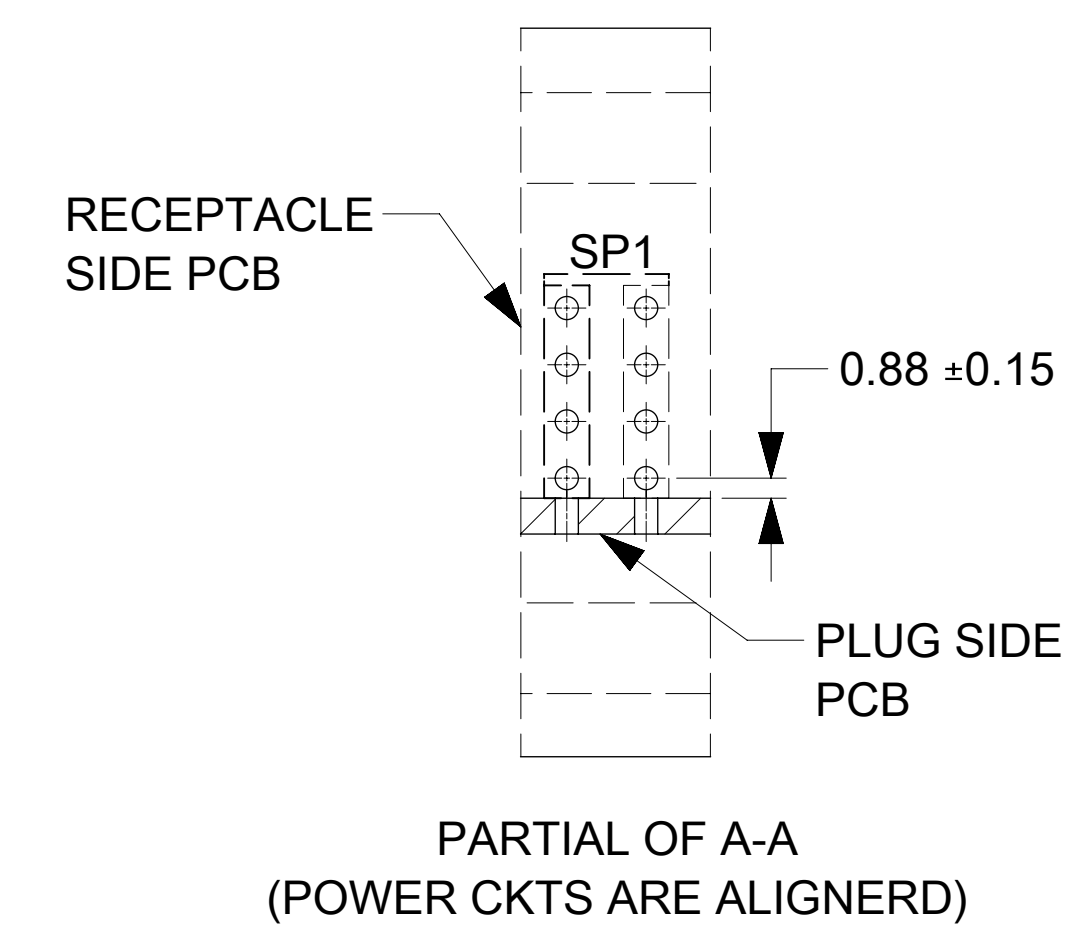
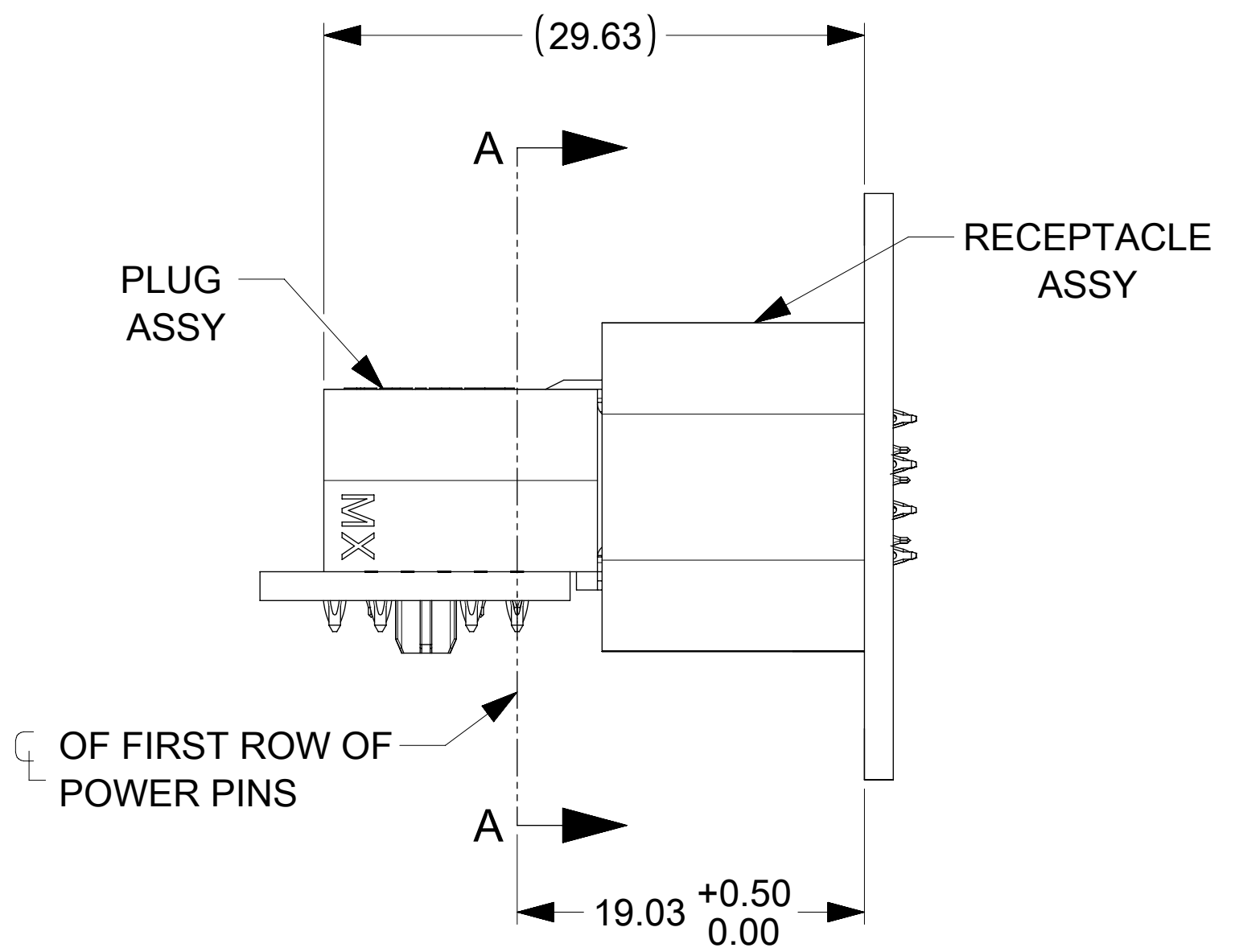


P/N: 171089-8418 (G-3SP-30S-G)



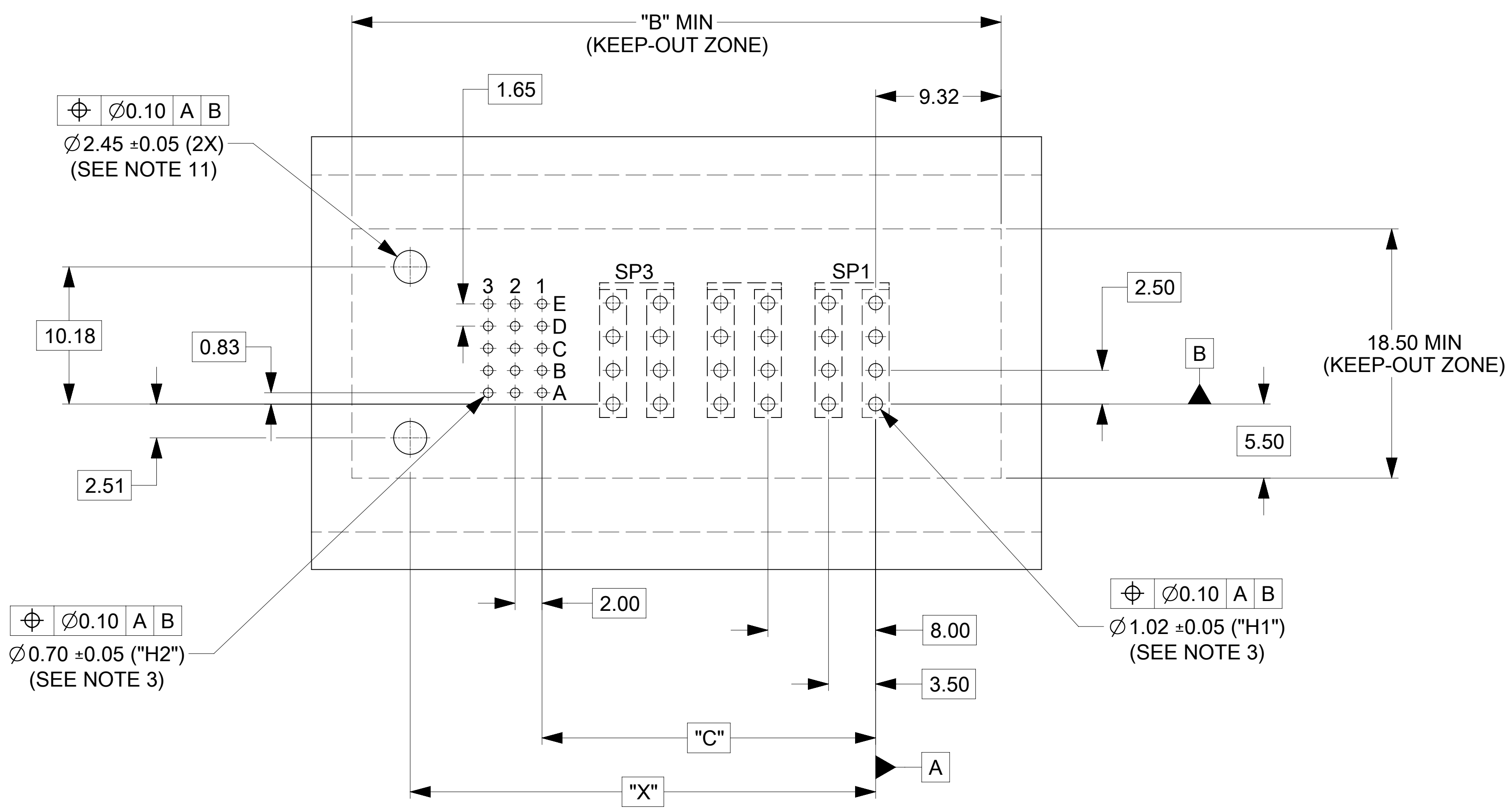
ALLOW EXTRA SPACE
4.00 MM PER SIDE
(REQUIRED FOR RE-WORK PER AS-46436-100)



RECOMMENDED PCB LAYOUT AND KEEP-OUT ZONE FOR G-(1SP TO 3SP)-30S-G

- NOTES:
- MATERIAL:
 - HOUSINGS: LCP UL94, V-0, COLOR: BLACK
 - TERMINALS: HIGH CONDUCTIVITY COPPER ALLOY
 - PLATING: 1.27 MICROMETER (50 MICROINCH) NICKEL OVERALL WITH 2.54 MICROMETER (100 MICROINCH) SELECTIVE TIN ON TAILS AND 0.762 MICROMETER (30 MICROINCH) SELECTIVE GOLD ON CONTACT AREA
 - PACKAGING: ASSEMBLIES TO BE TRAY PACKED PER PACKAGING SPEC: 1710891001-PK
 - PLATED THRU HOLE SIZE, REFER TO PS-171088-0000 FOR DETAILS
 - PRODUCT SPEC: PS-171088-0000
 - APPLICATION SPEC: AS-46436-100
 - PRODUCT TO MEET RoHS REQUIREMENTS
 - ASSEMBLY MATES TO MOLEX PLUG ASSEMBLY P/N 171088-**** (SEE TABLE IN SHEET 2).
 - TAIL DESIGN: COMPLIANT PINS
 - POWER AND SIGNAL CONTACTS ARE LUBRICATED.
 - MOLEX LOGO TO BE LOCATED APPROXIMATELY AS SHOWN.
 - FOR USE WITH 2-32 TYPE AB SELF THREADING SCREWS, SCREW LENGTH OF 9.50MM IS RECOMMENDED FOR 1.58MM THICK PCB MAX TORQUE IS 4 LBS-IN.

THIS DRAWING CONTAINS INFORMATION THAT IS PROPRIETARY TO MOLEX ELECTRONIC TECHNOLOGIES, LLC AND SHOULD NOT BE USED WITHOUT WRITTEN PERMISSION									
DIMENSION UNITS	SCALE	CURRENT REV DESC: REMOVED P/N 8414, 8415, 8419 & 8420							
mm	3:1	<p>G-*SP-*S-G VERT RECEP ASSY - TEN60 SPLIT POWER</p> <p>PRODUCT CUSTOMER DRAWING</p>							
GENERAL TOLERANCES (UNLESS SPECIFIED)									
ANGULAR TOL	± 0.5°								
4 PLACES	±								
3 PLACES	±								
2 PLACES	± 0.13								
1 PLACE	± 0.25	EC NO: 707711	2022/05/20		DRWN: KSUTAR CHK'D: GJEEVANSURES APPR: HTHYAGARAJ 2022/05/23 2022/06/08				
0 PLACES	±	INITIAL REVISION:							
DRAFT WHERE APPLICABLE MUST REMAIN WITHIN DIMENSIONS		DRWN: KSUTAR	2021/09/28		DOCUMENT NUMBER 1710898420				
THIRD ANGLE PROJECTION		APPR: HTHYAGARAJ	2021/11/08						DOC TYPE
D-DRAWING		SERIES		MATERIAL NUMBER		CUSTOMER		SHEET NUMBER	
D-DRAWING		171089		SEE TABLE		GENERAL MARKET		1 OF 3	



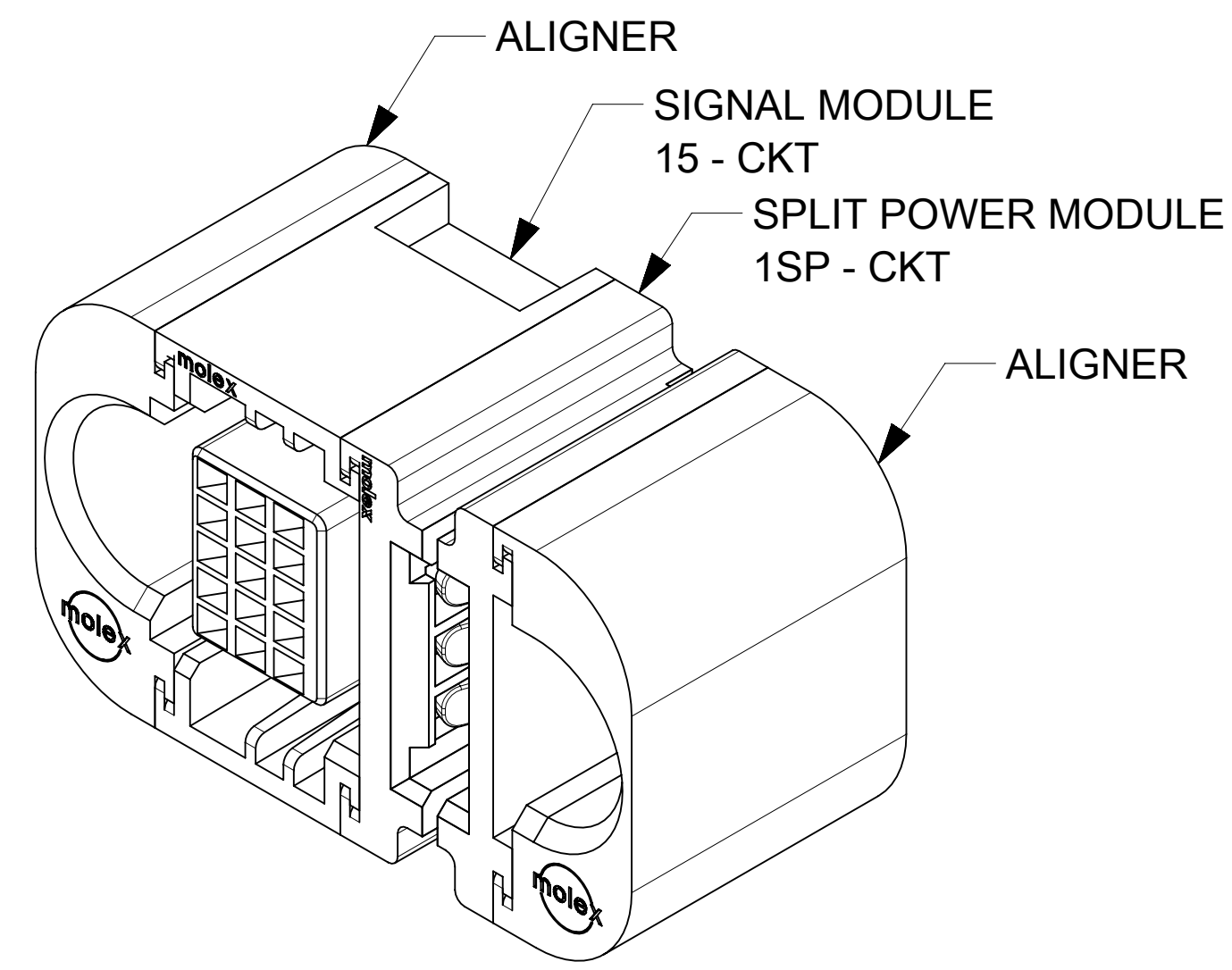
RECOMMENDED PCB LAYOUT AND KEEP-OUT ZONE FOR G-(1SP TO 3SP)-15S-G

REFER TO BELOW TABLE FOR DIMENSIONS.

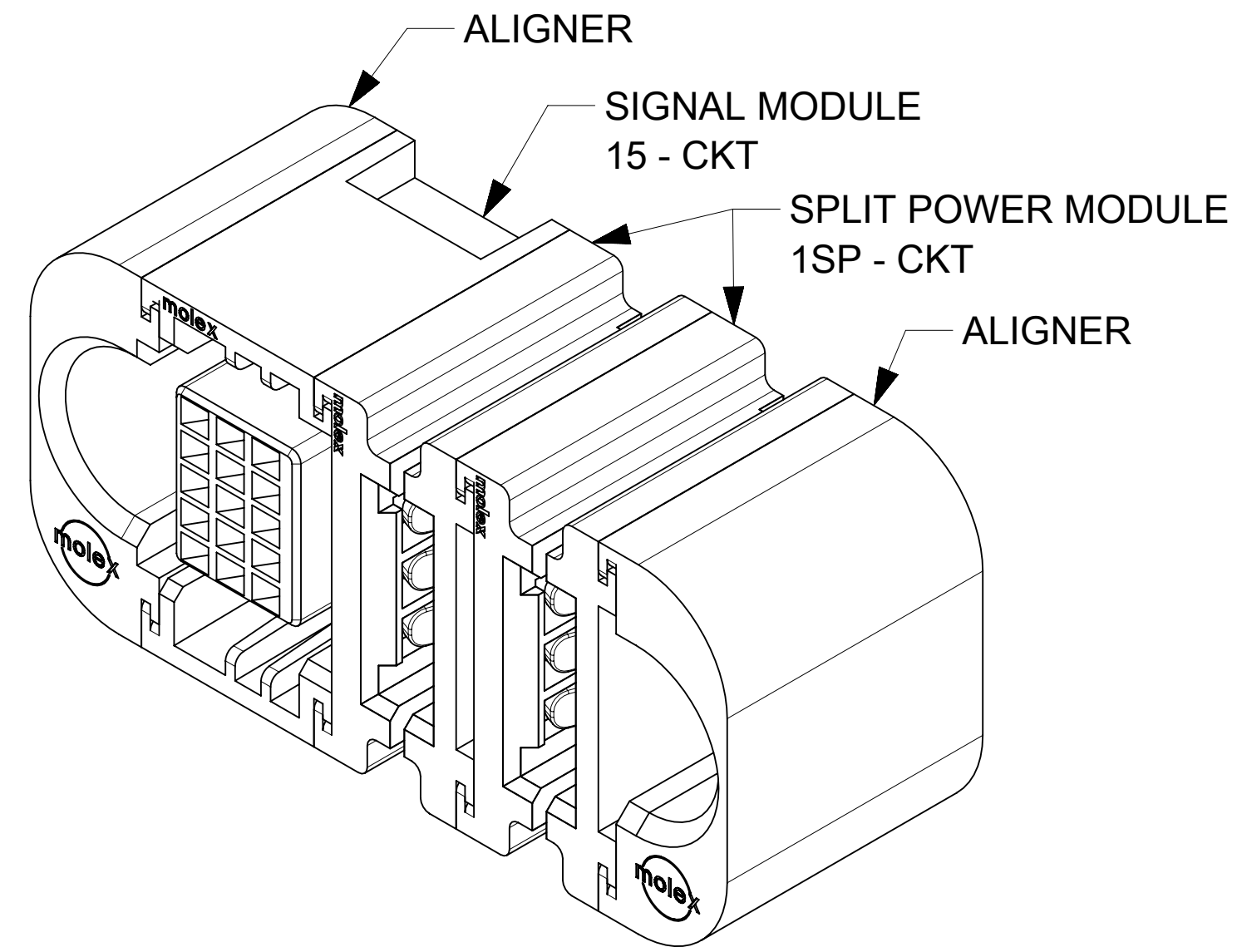
FG P/N	CONFIGURATION	POWER CKT SIZE	SIGNAL CKT SIZE	DIM "A" (IN MM)	DIM "B" (IN MM)	DIM "C" (IN MM)	DIM "X" (IN MM)	HOLES COUNT "H1"	HOLES COUNT "H2"	MATES WITH R/A PLUG ASSY P/N
1710898411	G-1SP-15S-G	1	15	31.21	32.21	8.78	18.56	08	15	1710888411
1710898412	G-2SP-15S-G	2	15	39.21	40.21	16.78	26.56	16	15	1710888412
1710898413	G-3SP-15S-G	3	15	47.21	48.21	24.78	34.56	24	15	1710888413
1710898416	G-1SP-30S-G	1	30	37.21	38.21	8.78	24.56	08	30	1710888416
1710898417	G-2SP-30S-G	2	30	45.21	46.21	16.78	32.56	16	30	1710888417
1710898418	G-3SP-30S-G	3	30	53.21	54.21	24.78	40.56	24	30	1710888418

THIS DRAWING CONTAINS INFORMATION THAT IS PROPRIETARY TO MOLEX ELECTRONIC TECHNOLOGIES, LLC AND SHOULD NOT BE USED WITHOUT WRITTEN PERMISSION

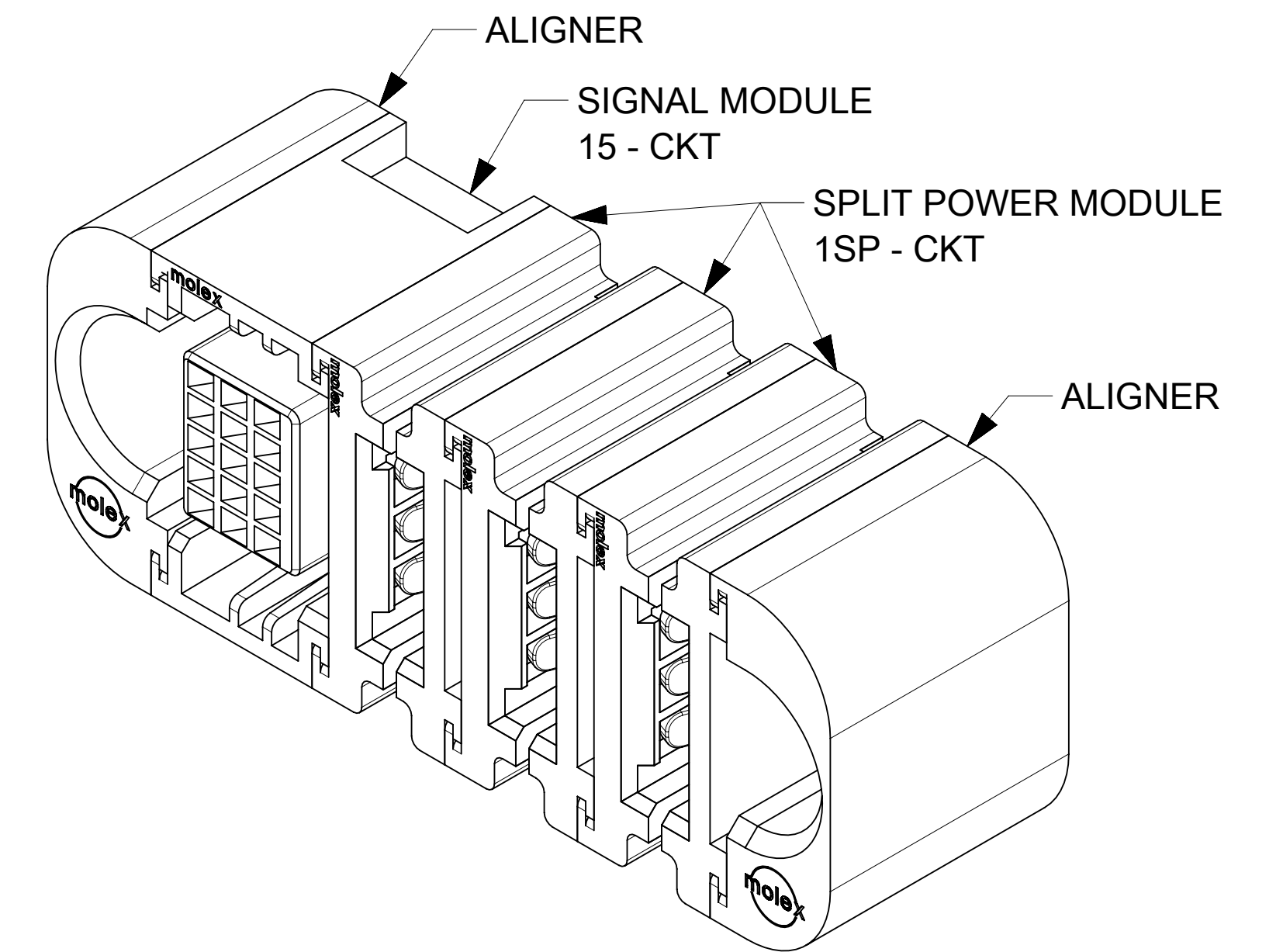
DIMENSION UNITS mm	SCALE 4:1	CURRENT REV DESC: REMOVED P/N 8414, 8415, 8419 & 8420			
GENERAL TOLERANCES (UNLESS SPECIFIED)		EC NO: 707711			
ANGULAR TOL ± 0.5°	4 PLACES ±	DRWN: KSUTAR 2022/05/20	PRODUCT CUSTOMER DRAWING		
3 PLACES ±	3 PLACES ±	CHK'D: GJEEVANSURES 2022/05/23	DOCUMENT NUMBER		
2 PLACES ± 0.13	2 PLACES ±	APPR: HTHYAGARAJ 2022/06/08	1710898420		
1 PLACE ± 0.25	1 PLACE ±	INITIAL REVISION:	DOC TYPE	DOC PART	REVISION
0 PLACES ±	0 PLACES ±	DRWN: KSUTAR 2021/09/28	PSD	000	A2
DRAFT WHERE APPLICABLE MUST REMAIN WITHIN DIMENSIONS		APPR: HTHYAGARAJ 2021/11/08	SHEET NUMBER		
THIRD ANGLE PROJECTION		DRAWING	2 OF 3		
D-SIZE		SERIES	SEE TABLE		
171089		MATERIAL NUMBER	GENERAL MARKET		
SEE TABLE		CUSTOMER	2 OF 3		



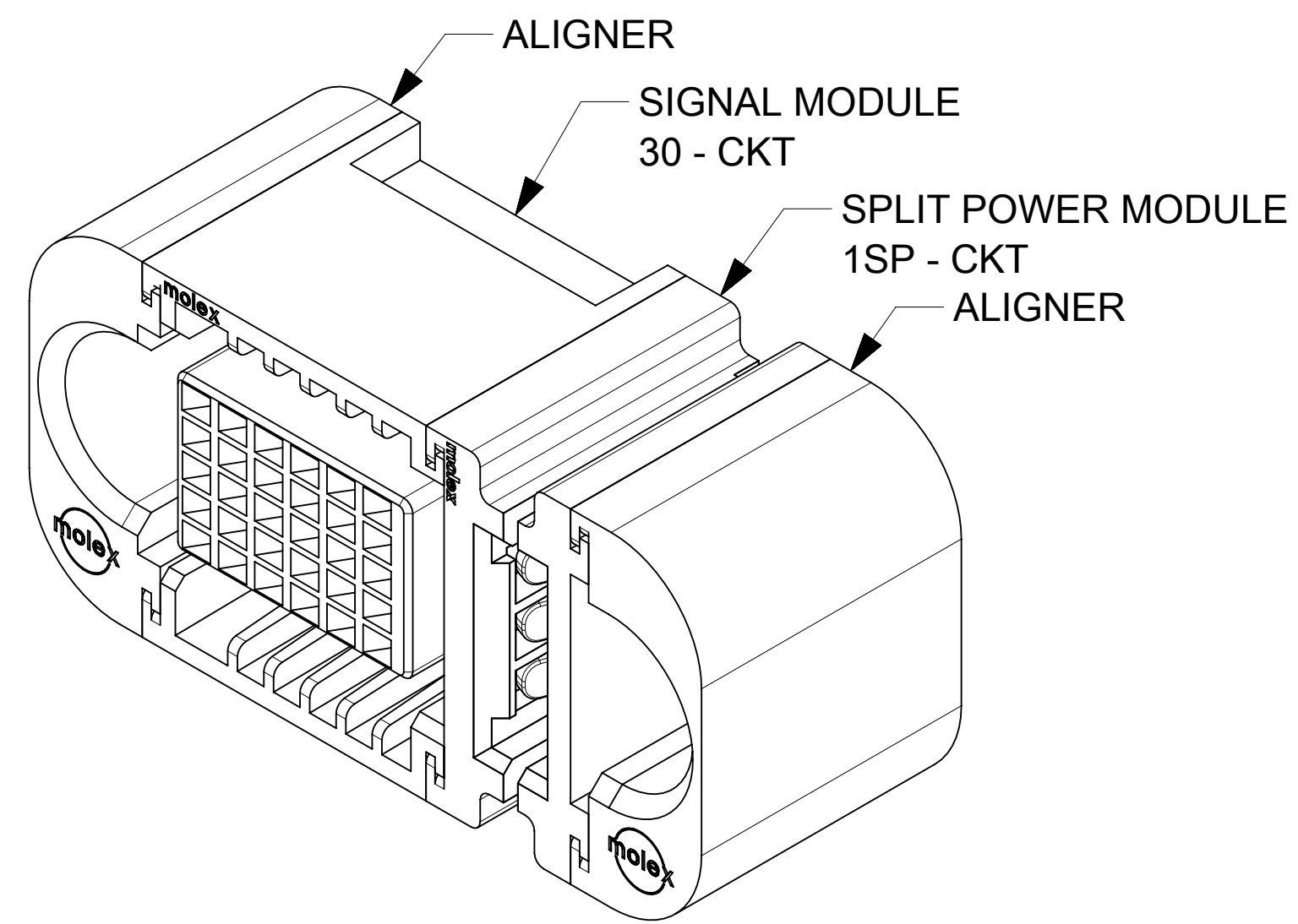
P/N: 171089-8411 (G-1SP-15S-G)



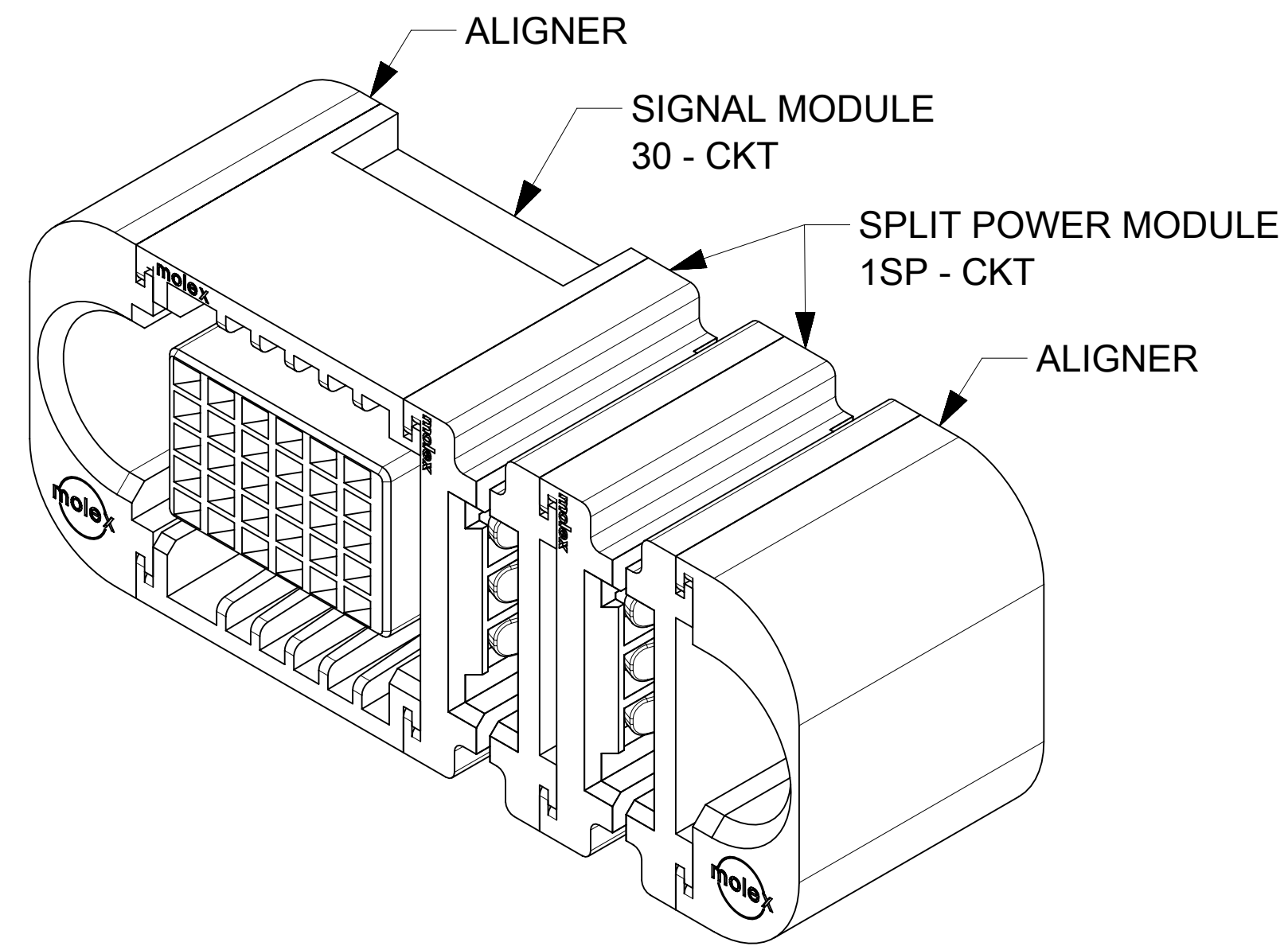
P/N: 171089-8412 (G-2SP-15S-G)



P/N: 171089-8413 (G-3SP-15S-G)



P/N: 171089-8416 (G-1SP-30S-G)



P/N: 171089-8417 (G-2SP-30S-G)

THIS DRAWING CONTAINS INFORMATION THAT IS PROPRIETARY TO MOLEX ELECTRONIC TECHNOLOGIES, LLC AND SHOULD NOT BE USED WITHOUT WRITTEN PERMISSION														
DIMENSION UNITS		SCALE		CURRENT REV DESC: REMOVED P/N 8414, 8415, 8419 & 8420						molex				
mm		4:1												
GENERAL TOLERANCES (UNLESS SPECIFIED)				G-*SP-*S-G VERT RECEP ASSY - TEN60 SPLIT POWER										
ANGULAR TOL ± 0.5°				PRODUCT CUSTOMER DRAWING										
4 PLACES ±				EC NO: 707711		DRWN: KSUTAR		2022/05/20		DOCUMENT NUMBER		DOC TYPE	DOC PART	REVISION
3 PLACES ±				CHK'D: GJEEVANSURES		2022/05/23		1710898420		PSD	000	A2		
2 PLACES ± 0.13				APPR: HTHYAGARAJ		2022/06/08		INITIAL REVISION:		MATERIAL NUMBER		CUSTOMER		SHEET NUMBER
1 PLACE ± 0.25				DRWN: KSUTAR		2021/09/28		DRWN: KSUTAR		2021/11/08		GENERAL MARKET		3 OF 3
0 PLACES ±				APPR: HTHYAGARAJ		2021/11/08		DRAFT WHERE APPLICABLE MUST REMAIN WITHIN DIMENSIONS		THIRD ANGLE PROJECTION		DRAWING		SERIES
D-DRAWING		D-SIZE		171089		SEE TABLE		GENERAL MARKET		3 OF 3				