

PART NUMBER	ITEM NUMBER	M3 THREADED INSERT
SDA-71624-2000	051-25-1040	YES
SDA-71624-2004	71624-2004	NO

REV.	DATE	BY	CHK'D.	SCALE
M		J		
L		I		
LTR.	REVISIONS	LTR.	REVISIONS	

3 PLACE	INCH	METRIC
1 PLACE	± .010	---
2 PLACE	± ---	± ---
1 PLACE	---	± ---

DIMENSIONS SHOWN (METRIC) INCH UNLESS OTHERWISE SPECIFIED TOLERANCES ANGULAR ± 1/2°		REVISIONS PER ECN# U6-0641 DRS 11/29/95		REVISIONS PER ECN# U5-0846 DRS 04/11/95		REVISIONS PER ECN# U40676 DKS 6-24-94	
DRAFT WHERE APPLICABLE MUST REMAIN WITHIN DIMENSIONS				DRWG. NO. SDA-71624-200*		SHEET NO. 1 OF 2	
FILE NAME 57162421.DWG				DIV. CD		DATE 9/11/91	

2	M
1	M
MFG. SH. REV.	

TITLE
 .050" PITCH LFH 160 CKT.
 RIGHT ANGLE I/O MALE
 SALES ASSEMBLY
 MOLEX INCORPORATED
 LITSE, ILL. 60532 U.S.A.
 SEE CHART

NOTES:

1) MATERIALS:

HOUSING: GLASS FILLED LCP (LIQUID CRYSTAL POLYMER),
 UL 94V-0, COLOR: BLACK.
 TAIL ALIGNER: GLASS FILLED, LCP (LIQUID CRYSTAL POLYMER)
 UL 94V-0, COLOR: BLACK.
 MOLDED STICK: GLASS FILLED LCP (LIQUID CRYSTAL POLYMER)
 UL 94V-0, COLOR: BLACK.
 MALE CONTACT: PHOS. BRONZE .012±.0005 THICK.
 OUTER SHELL: LOW CARBON STEEL.
 THREADED INSERT: BRASS.

2) PLATING :

TERMINAL: .000030/(0.00076) MINIMUM GOLD IN SELECTIVE AREA;
 .000100/(0.00254) TIN IN SELECTIVE AREA;
 OVER NICKEL UNDERPLATE OVERALL.

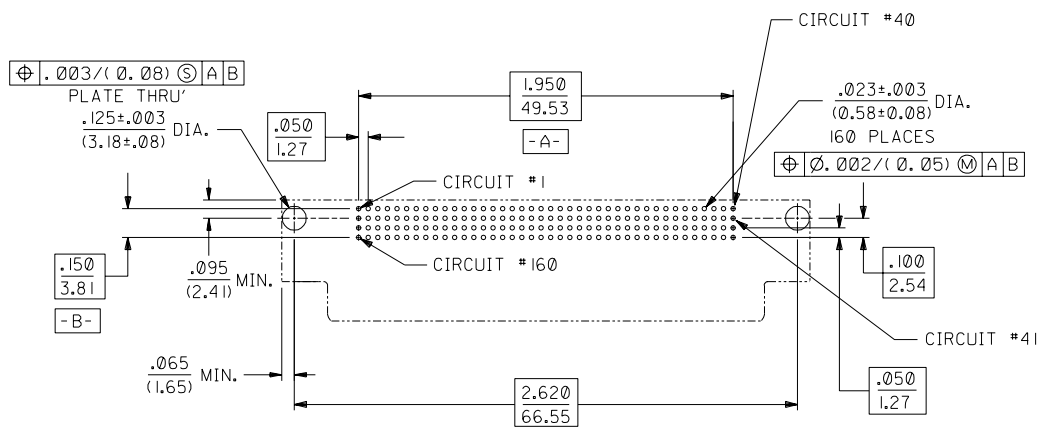
OUTER SHELL: .000150/(0.00381) MINIMUM TIN OVER
 .000050/(0.00127) MINIMUM NICKEL OVER
 COPPER FLASH (OPTIONAL).

3) THIS PART CONFORMS TO MOLEX PRODUCT SPECIFICATION PS-71626.

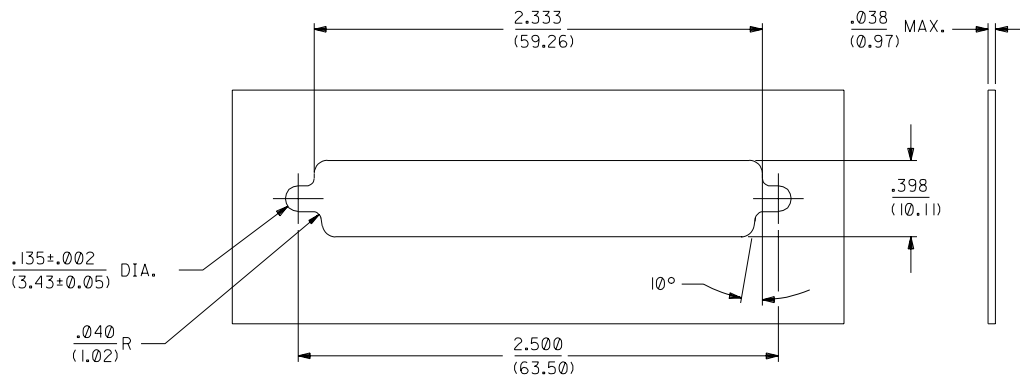
4) PACKAGING SPECIFICATION PK-70873-0224 APPLIES.

NOTE FOR LEAD FREE CONVERSION:

THE PRIMARY SHIPPING CARTON WILL BE
 LABELED "COMPLIANT TO RoHS DIRECTIVE
 2002/95/EC AND ELV ANNEX II OF
 DIRECTIVE 2000/53/EC". CARTONS
 WITHOUT THIS LABEL MAY CONTAIN
 PRODUCT WITH LEAD.

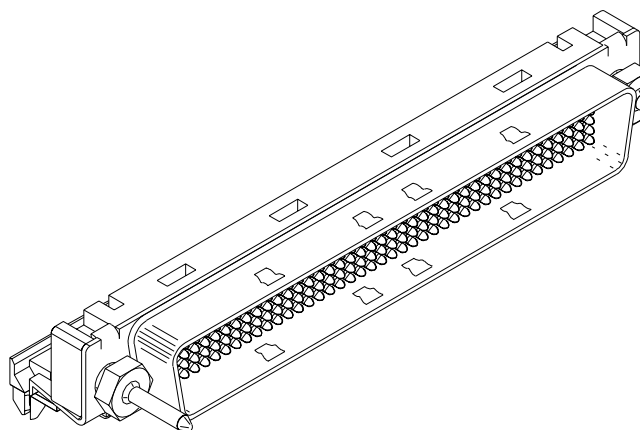


RECOMMENDED PC BOARD LAYOUT
COMPONENT SIDE



PANEL CUT-OUT DIMENSIONS
ALL TOLERANCES ±.003/(0.08)
UNLESS OTHERWISE STATED.

FOR OPTIONAL HARDWARE DETAILS
SEE SDA-71628-*****



LTR.	REVISIONS	LTR.	REVISIONS

DIMENSIONS SHOWN (METRIC) INCH	
UNLESS OTHERWISE SPECIFIED TOLERANCES: ANGULAR ± 1/2°	
3 PLACE ± .010	---
2 PLACE ± ---	± ---
1 PLACE ---	± ---
DRAFT WHERE APPLICABLE MUST REMAIN WITHIN DIMENSIONS	
DRWG. BY CAB	CHK'D BY BIXLER
APP'D BY CAB	SCALE 2:1

MFG. SH. REV.	
REVISE ONLY ON CAD SYSTEM	
TITLE 0.050" Pitch LFH 160 Ckt. Right Angle I/O Male Sales Assembly	
MOLEX INCORPORATED LITSE,ILL. 60532 U.S.A.	SHEET NO. 2 DATE 9/12/91
PART NO. SDA-71624-200*	DRWG. NO.
SEE SHEET 1	FILE NAME 51162422.DWG
THIS DRAWING CONTAINS INFORMATION THAT IS PROPRIETARY TO MOLEX INC. AND SHOULD NOT BE USED WITHOUT WRITTEN PERMISSION.	
CD	C