

# XLamp® XQ-E PC Amber LED Product Change Notification

Customer Name: XQ-E PC Amber Customers

PCN Reference Number: CreeLED-PCN-5257

Date Issued: January 31, 2022

Please be advised that Cree LED is updating XLamp® XQ-E PC Amber LED products with changes to performance and physical characteristics.

Please review the additional PCN information below.

## Affected Product

Table 1 provides a list of products affected by this change:

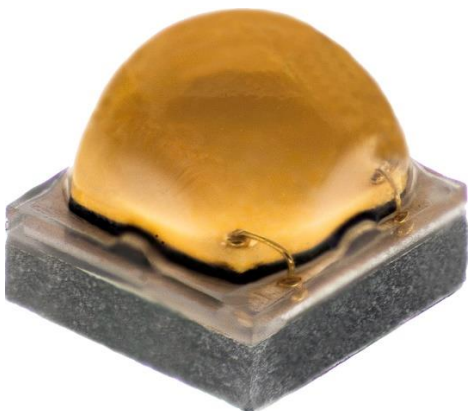
Table 1 Affected Products List

Cree LED Product Family	Cree LED Part Number
XQ-E High Density PC Amber	XQEAPA-0x-xxxx-xxxxxxxxxx
XQ-E High Intensity PC Amber	XQEAPA-Hx-xxxx-xxxxxxxxxx

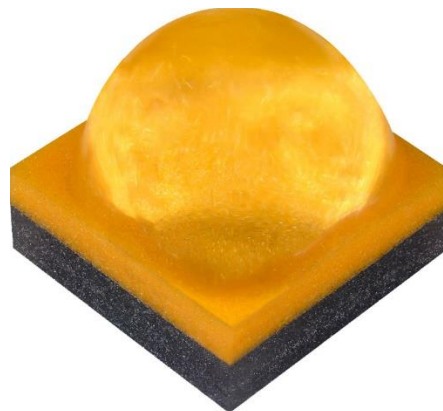
## Description of the Change

The visual appearance of the XQ-E PC Amber LEDs will change. Examples of the current and new visual appearances are shown below.

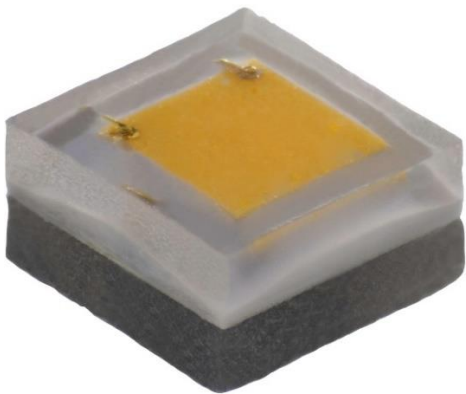
**XQ-E HD PC Amber Current Appearance**



**XQ-E HD PC Amber New Appearance**



### XQ-E HI PC Amber Current Appearance



### XQ-E HI PC Amber New Appearance

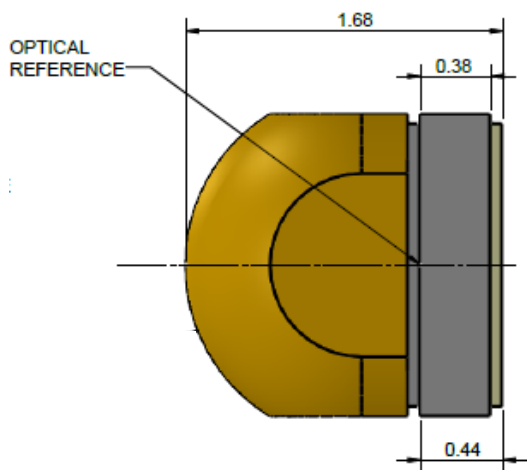


Cree LED will be changing the typical component height (Z-Height) of the XQ-E PC Amber LEDs. Table 2 shows the current and new typical values, and new diagrams are shown below. Due to a minor increase in the XQ-E HD PC Amber component height, the carrier tape dimensions will be adjusted.

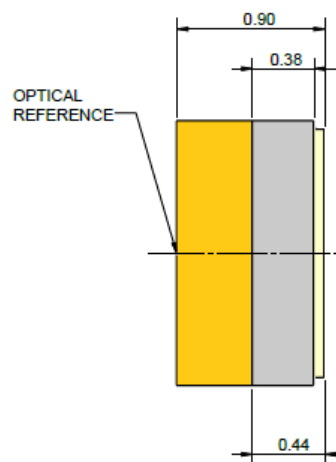
Table 2 LED Product Characteristics; Current Values & Estimated New Values

Cree LED Product Family	Cree LED Part Number	Current Z-Height	New Z-Height
XQ-E High Density PC Amber	XQEAPA-0x-xxxx-xxxxxxxxxx	1.60 mm +/-0.13	1.68 mm +/- 0.13
XQ-E High Intensity PC Amber	XQEAPA-Hx-xxxx-xxxxxxxxxx	0.80 mm +/- 0.10	0.90 mm +/- 0.10

### XQ-E HD PC Amber New Z-Height



### XQ-E HI PC Amber New Z-Height

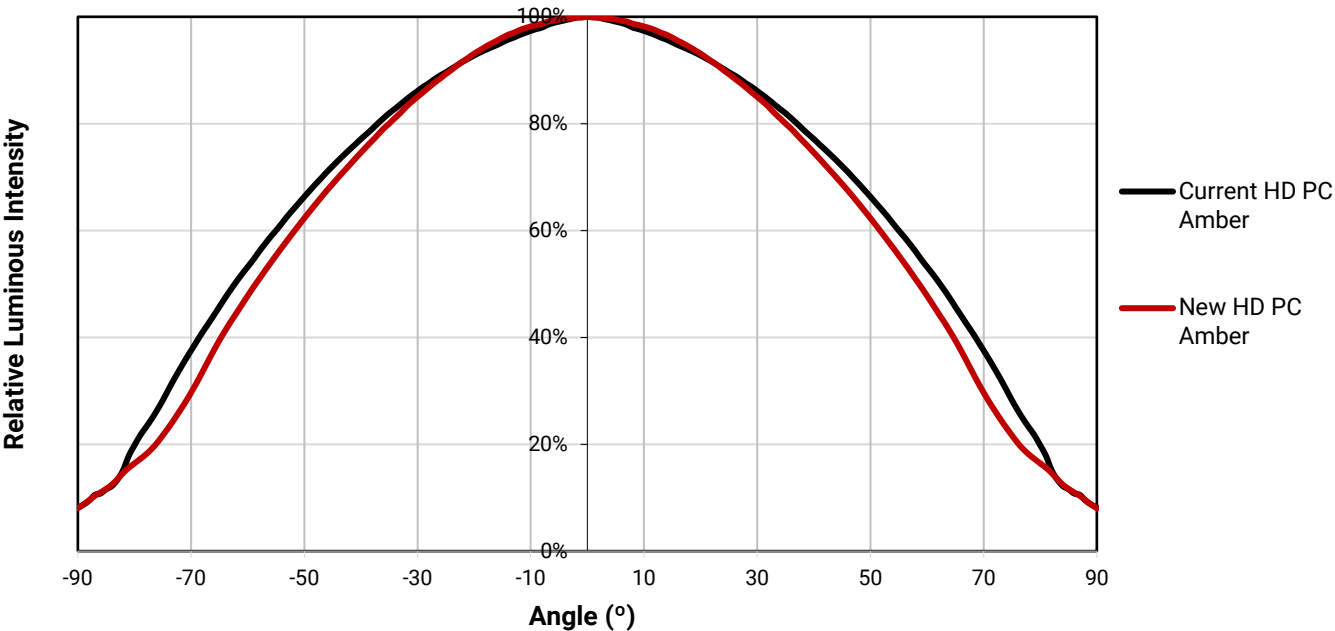


Cree LED will be changing the typical viewing angle for the XQ-E HD PC Amber LED. Table 3 shows the current and new values.

Table 3 LED Product Characteristics; Current Values & Estimated New Values

Cree LED Product Family	Cree LED Part Number	Current Typical	New Typical
XQ-E High Density PC Amber	XQEAPA-0x-xxxx-xxxxxxxxxx	125°	115°

A Farfield comparison between the Current and New XQ-E HD PC Amber LEDs is shown below.



Ray files for new LEDs will be available on [cree-led.com](https://cree-led.com) on or before February 11, 2022, at the following addresses:

<https://cree-led.com/products/xlamp-leds-discrete/xlamp-xq-e>

<https://cree-led.com/products/xlamp-leds-discrete/xlamp-xq-e-high-intensity>

The ray files for new LEDs will be posted using the following link titles:

- XQ-E HD Post PCN 5267 PC Amber Optical Source Model - ProSource 8 (zip)
- XQ-E HI Post PCN 5267 PC Amber Optical Source Model - ProSource 8 (zip)

## Reason for the Change

This change is being made to utilize our latest technology platform and increase efficiency on XLamp XQ-E PC Amber LEDs. Additionally, this change will result in better manufacturing flexibility.

## Change Impact on Form, Fit, Function, or Reliability

This change has no impact on the reliability of these LEDs beyond the changes listed above.

## Key Dates

Table 3 provides the estimated date for initial shipments of the LEDs affected by this change. Any updates to these dates can be provided by the Cree LED contact listed in Table 4.

*Table 3 Key PCN Estimated Dates*

<b>Estimated Initial Ship Date:</b>	<b>90 days from PCN Issue Date</b>
-------------------------------------	------------------------------------

Starting on the Estimated Initial Shipment Date in Table 3, customers may receive LEDs with the updated performance characteristics. Each reel will contain only LEDs with the current performance or only LEDs with the new performance characteristics. Reels of the new performance LEDs can be identified by a 'C' in the last character of the bin code. The bin code is clearly identified on each packaged reel.

Current and new performance LEDs will not be contained in the same shipment. Current performance LEDs will be shipped until Cree LED's inventory of the current performance LEDs is depleted. Customers purchasing through a distributor will be further delayed seeing this change until the inventory with the current performance is depleted from distributor stock.

The XLamp® XQ-E HD & HI PC Amber LED data sheet is available at <https://cree-led.com/media/documents/ds-XQE.pdf> and will be updated with changes described in this PCN on or before the Estimated Initial Ship Date in Table 3.

## Cree LED Contact Information

If you have any questions regarding this PCN please contact:

Table 4 PCN Contact

<b>Contact:</b>	Cree LED Customer Service
<b>Contact E-Mail:</b>	<a href="mailto:xlampsales@cree-led.com">xlampsales@cree-led.com</a>
<b>Contact Phone:</b>	US toll free: 1-844-273-3533 Outside the US: +1 919-313-5301
<b>Address:</b>	CreeLED, Inc. 4400 Silicon Dr. Durham, NC 27703-8475 USA