

6

5

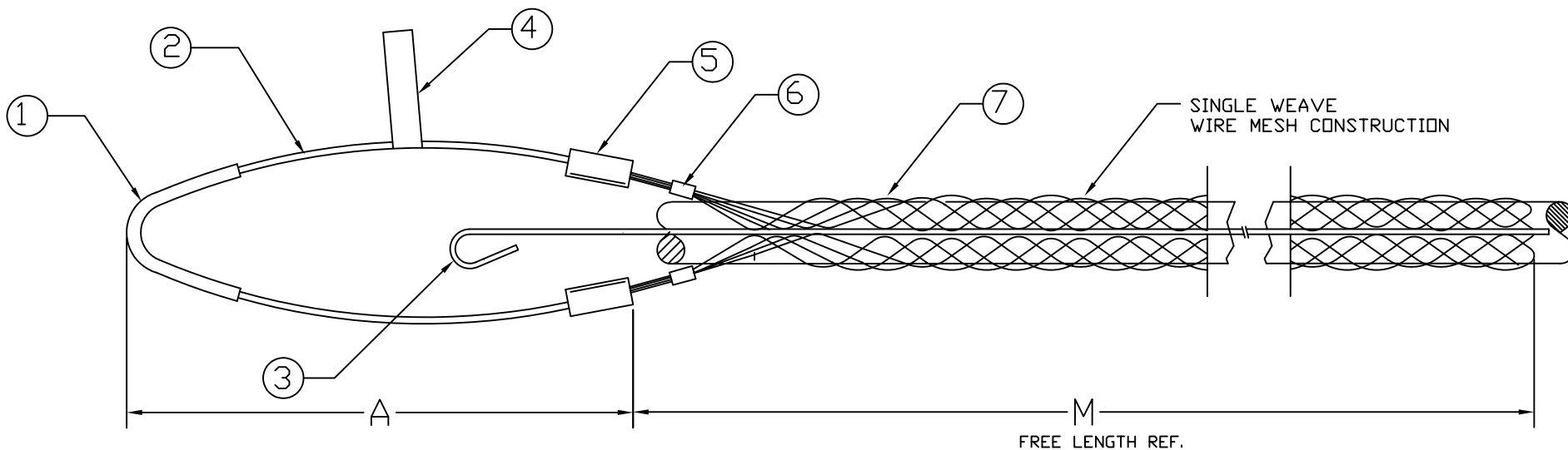
4

3

2

1

MATERIAL NUMBER	OLD MATERIAL NUMBER	M <sup>±1/2</sup> IN INCHES	A <sup>±1</sup> IN INCHES	APPROX. BREAKING STRENGTH IN lbs.	CABLE RANGE IN INCHES
1300940529	36680	2.5	3.0	300	.18-.25
1300940530	36681	2.5	3.0	300	.23-.32
1300940531	36682	2.5	4.0	300	.30-.39
1300940532	36683	4.0	5.0	300	.37-.48
1300940533	36684	5.0	6.0	400	.46-.58
1300940534	36685	5.0	7.0	600	.56-.71
1300940535	36686	6.0	8.0	800	.69-.88



ITEM	QTY.	DESCRIPTION	MATERIAL
1	1	SHOULDER PROTECTOR	STAINLESS STEEL
2	1	BALE WIRE	TINNED PHOSPHOR BRONZE
3	1	ROD	STAINLESS STEEL
4	1	LABEL	MYLAR
5	2	FERRULE	STAINLESS STEEL
6	2	CRIMP CONNECTOR	STAINLESS STEEL
7	1	WIRE MESH	TINNED PHOSPHOR BRONZE

RELEASE DRAWING EC NO: WNA2010-0690 DRWN: TVICKERS 2010/05/17 CHKD: HKNEELAN APPR: DTITUS 2010/05/21 REV: A	QUALITY SYMBOLS
	$\nabla = 0$ $\sphericalangle = 0$
	DIMENSION STYLE INCH
	SCALE NTS

GENERAL TOLERANCES (UNLESS SPECIFIED)	
	INCH
4 PLACES	±---
3 PLACES	±--- ±.005
2 PLACES	±0.13 ±.010
1 PLACE	±0.25 ±.020
ANGULAR ±.5°	
DRAFT WHERE APPLICABLE MUST REMAIN WITHIN DIMENSIONS	

DRAWN BY	DATE
TVICKERS	2010/05/17
CHECKED BY	DATE
HKNEELAN	2010/05/17
APPROVED BY	DATE
DTITUS	2010/05/20
MATERIAL NO.	SEE CHART
SIZE	A

SCALE	DESIGN UNITS	THIRD ANGLE PROJECTION
NTS	INCH	
TITLE		
FIBER OPTIC SUPPORT GRIP SINGLE WEAVE SINGLE EYE		
MOLEX INCORPORATED		
DOCUMENT NO.	SHEET NO.	
SD-130094-008	1 OF 1	
THIS DRAWING CONTAINS INFORMATION THAT IS PROPRIETARY TO MOLEX INCORPORATED AND SHOULD NOT BE USED WITHOUT WRITTEN PERMISSION		

6

5

4

3

2

1