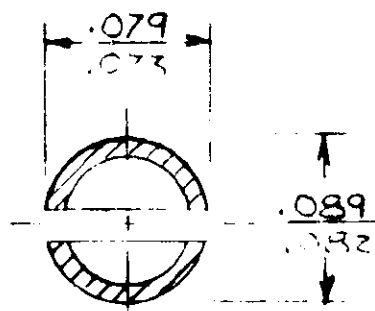
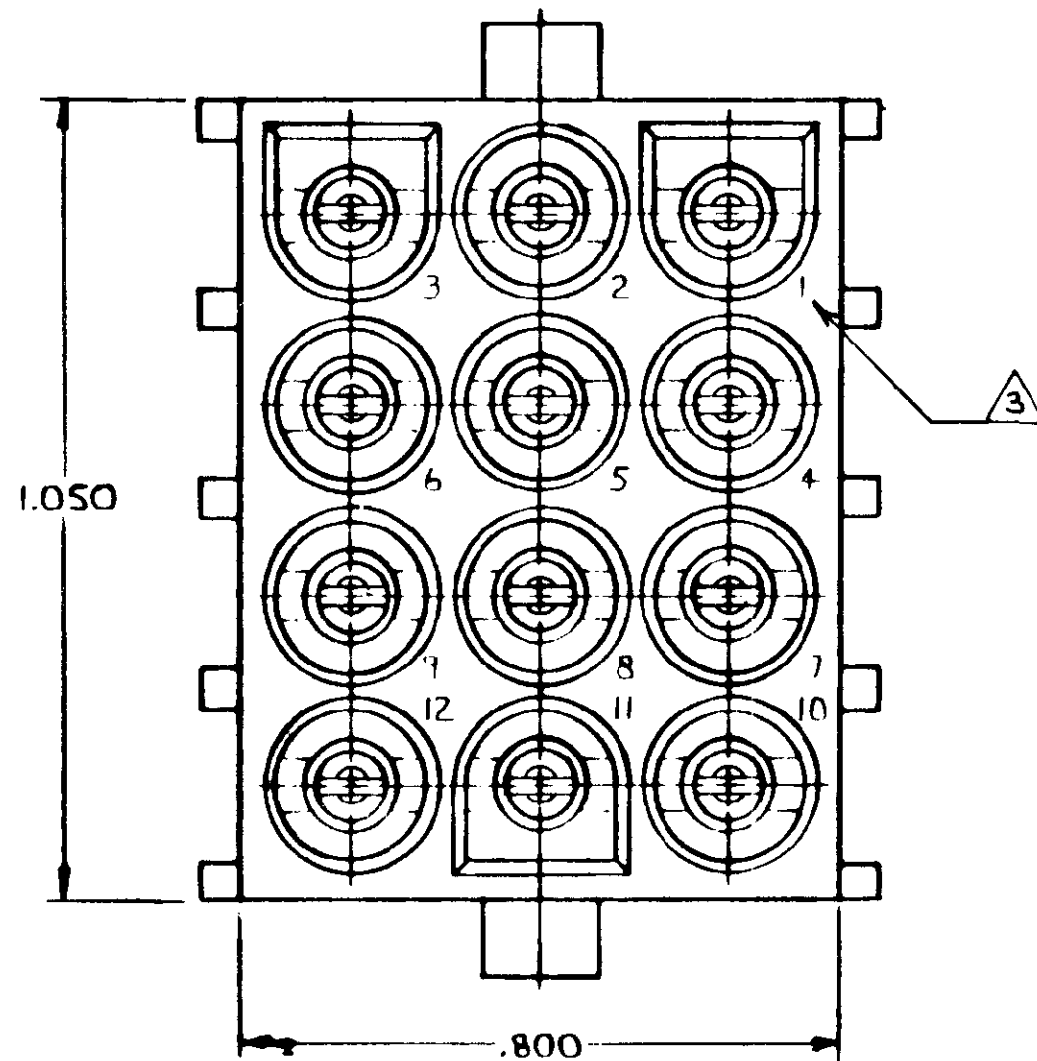
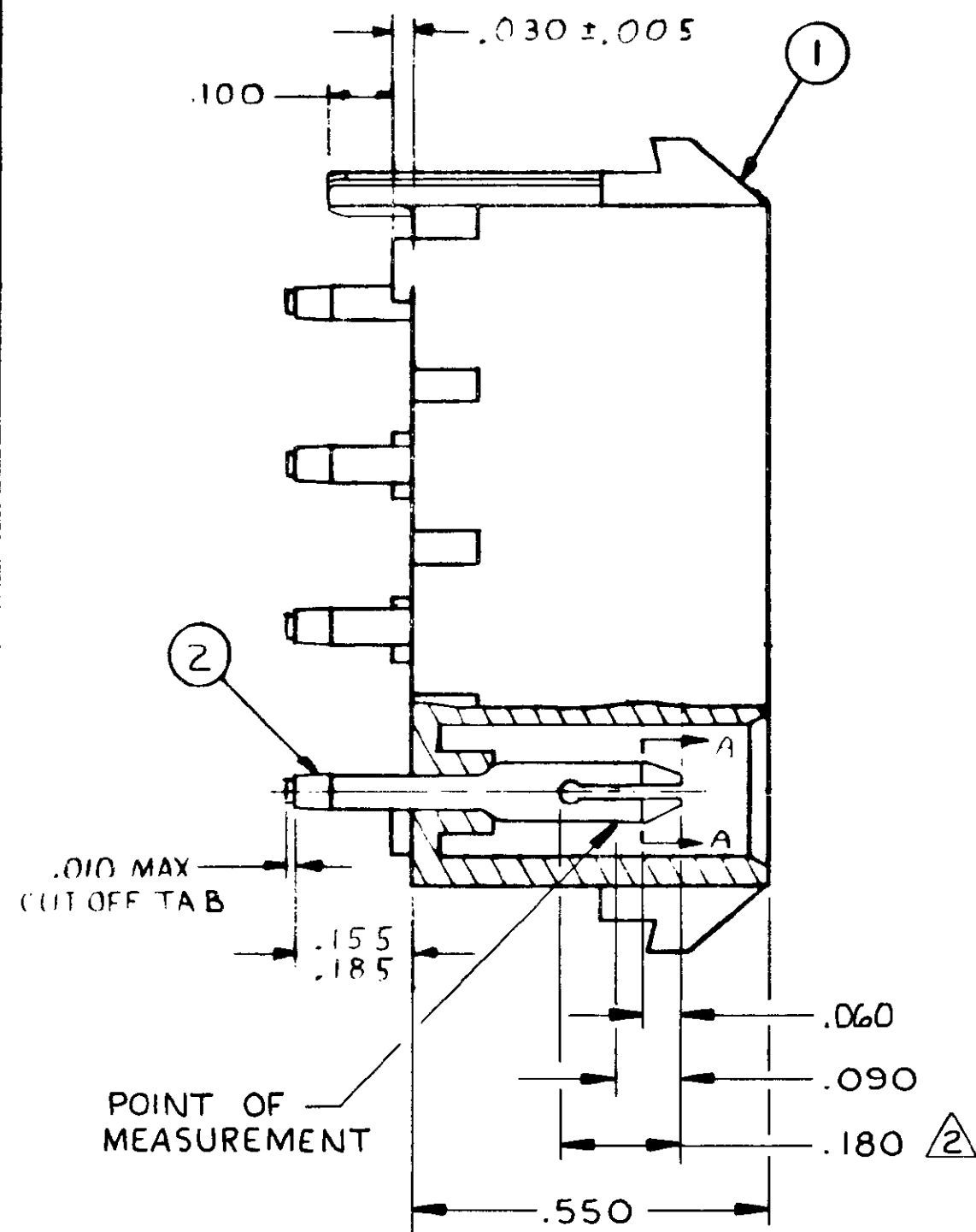
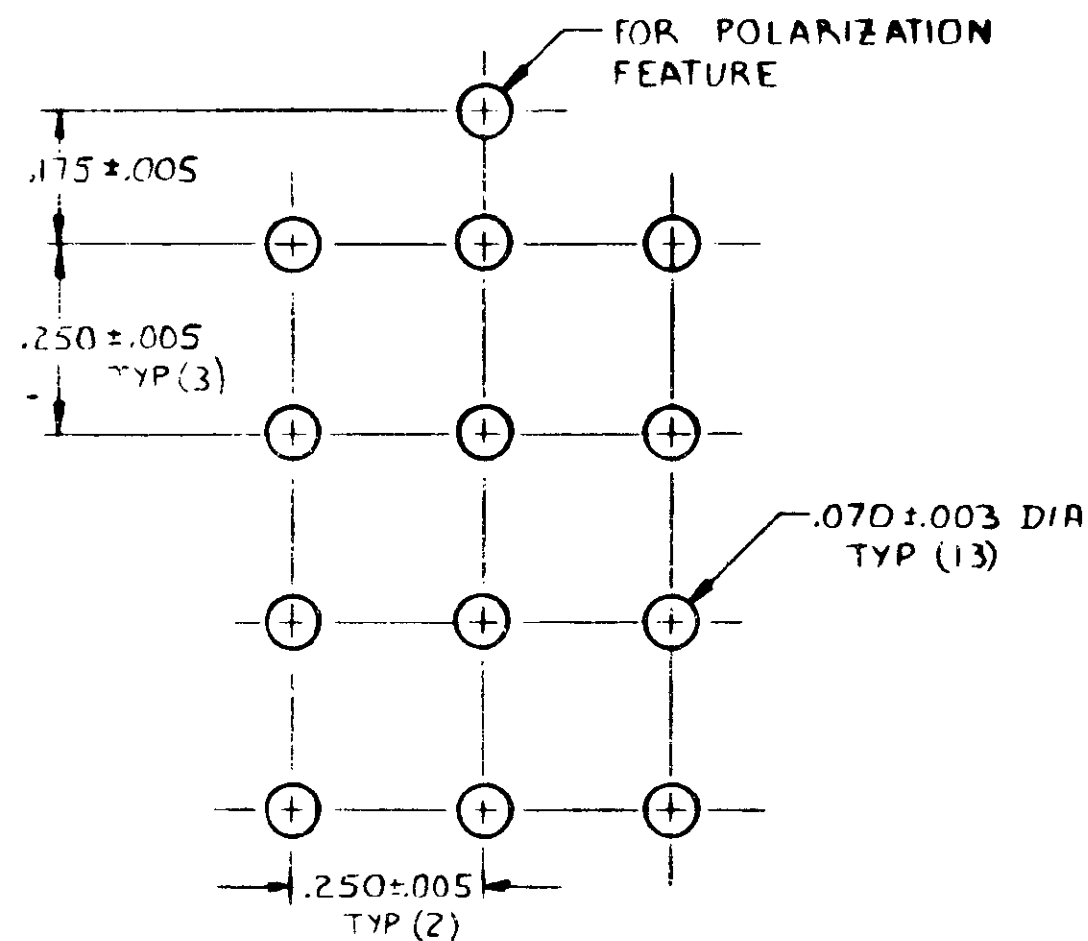


THIS DRAWING IS UNPUBLISHED. RELEASED FOR PUBLICATION
 © COPYRIGHT

REVISIONS						
P	F	ZONE	LTR	DESCRIPTION	DATE	APPROVED
		K1		REVISED PER ECO-11-005294	13APR11	HMR



SECTION A-A
SCALE 10:1



RECOMMENDED LAYOUT FOR
 .062 THICK P.C. BOARD
 (TOLERANCES NON-CUMULATIVE
 WITHIN .250 GRID PATTERN)

- 1. PARTS COMPLY WITH AMP SOLDERABILITY SPEC 109-11-3.
- 2. CONTACT IS PLATED OVERALL WITH .000050 NICKEL, THEN .000030 GOLD OVER CONTACT LENGTH INDICATED AND MATTE TIN ON SOLDER TAIL END.
- 3. CIRCUIT IDENTIFICATION CHARACTERS ARE ADJACENT TO THE INDICATED CAVITIES, BUT LOCATION AND ORIENTATION MAY DIFFER FROM PRINT.

PRE-TIN	FINISH	MATERIAL	NO PER ASSEMBLY	ITEM NO	PART NO
NATURAL	BRZ	NYLON 14V-2	1	CONTACT (2) HOUSING (1)	641973-1

UNLESS OTHERWISE SPECIFIED DIMENSIONS ARE IN INCHES TOLERANCES ON: DECIMALS ± .015 ANGLES ±	CONTRACT NO	TE Connectivity	
	DR <i>M. Foker 11-81</i>		
MATERIAL SEE TABLE	CHK <i>D. Y. H. 11/1/81</i>	NAME PIN HEADER ASSEMBLY, UNIVERSAL MATE-N-LOK™ 12 CIRCUIT	
	APPD <i>[Signature]</i>	SIZE	FSCM NO
FINISH SEE TABLE	OTHER APPD	C	00779
	DSGN APPD	DRAWING NO 641973	
SCALE 4-1		SHEET	

641773