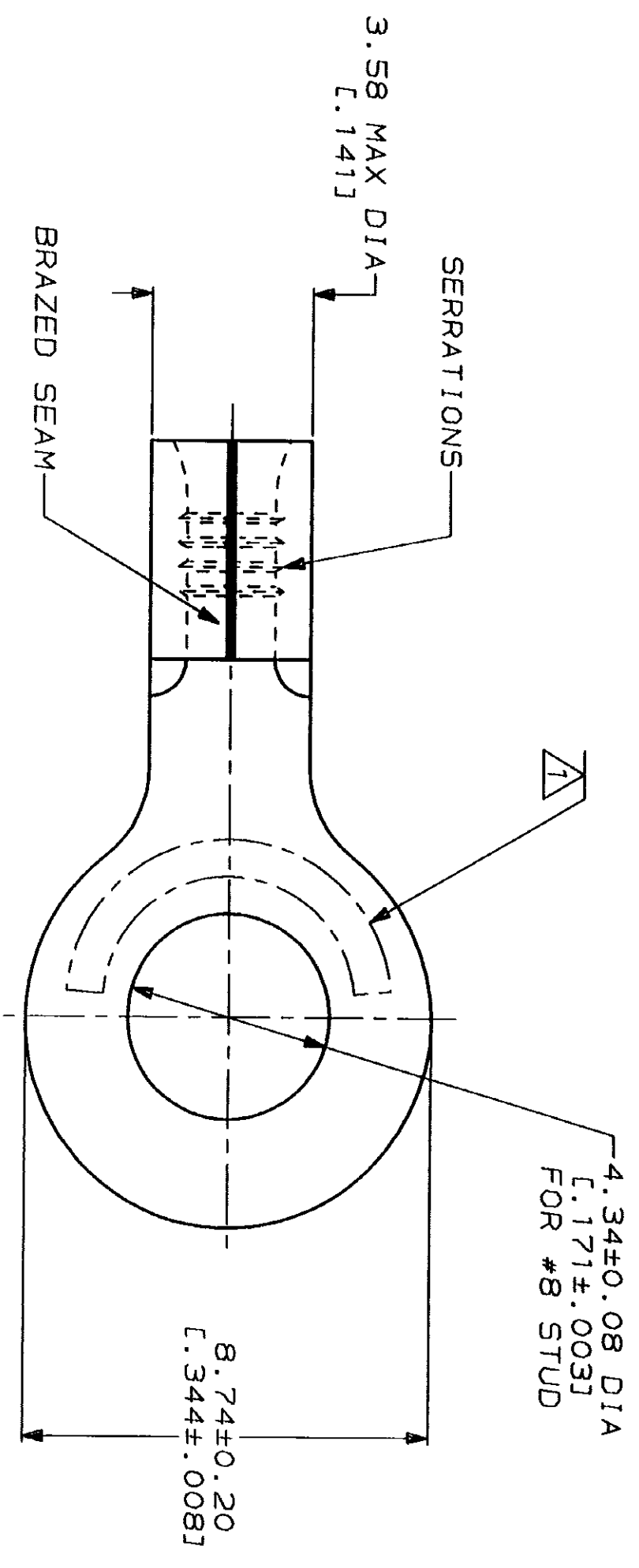


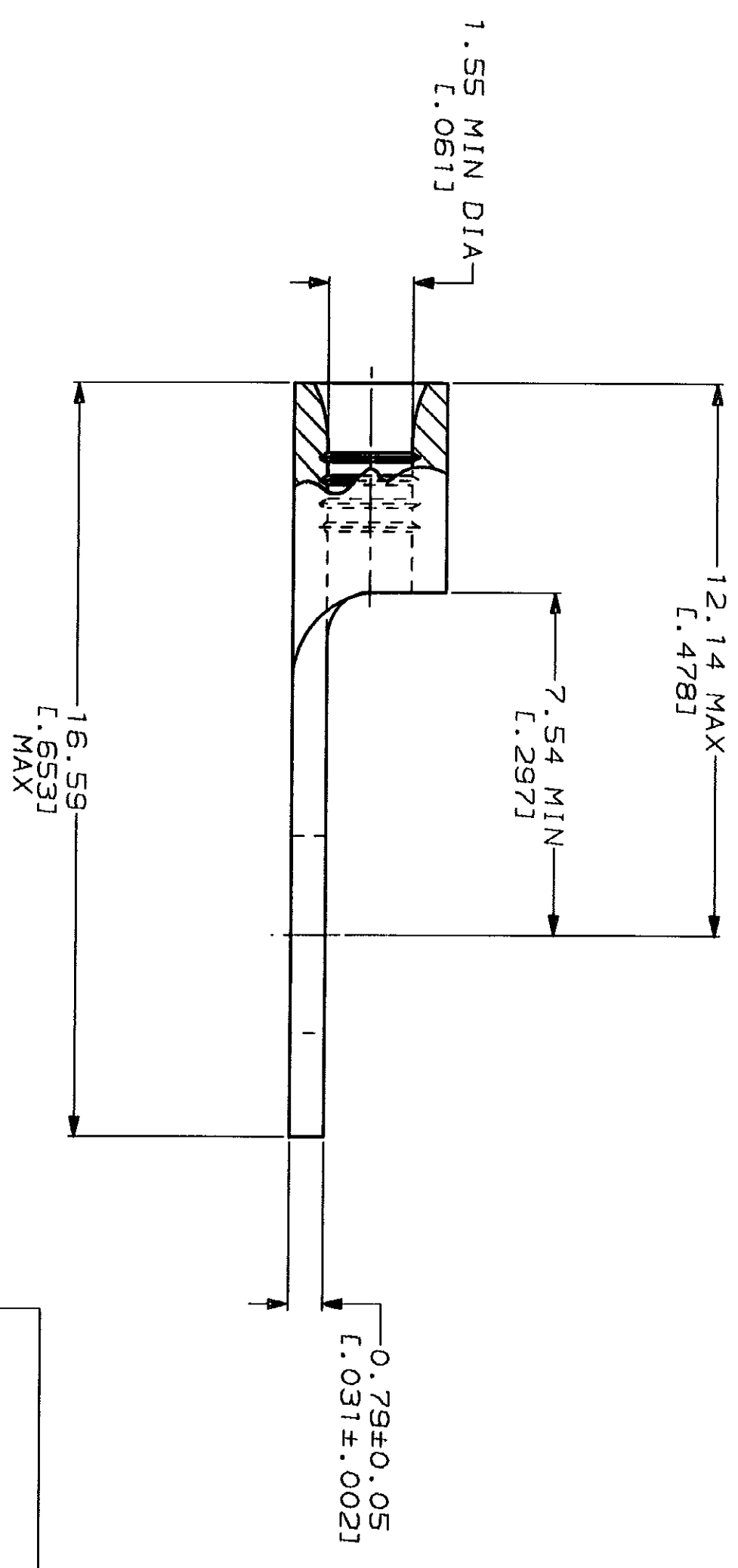
LOC	DIST	REV	DESCRIPTION	DATE	APPD
G	14	F	REV & REDRAWN PER 0720-0040-93	3-10-93	18 DAP

METRIC
 DIMENSIONS LISTED IN mm [INCHES]



AMP WIRE RANGE	UL E13288 Listed
22-16 AWG SOLID OR STRANDED	22-16 AWG SOLID OR STRANDED
LR7189 Certified 22-16 AWG SOLID OR STRANDED	MILITARY P/N AND CLASS NOT APPLICABLE

△ STAMP AMP 22-18* APPROX AS SHOWN
 22-16 TERMINALS ARE STAMPED 22-18 IN ACCORDANCE WITH MILITARY SPECIFICATION MIL-T-7928, COMMERCIAL WIRE RANGE IS 22-16



323086
 PART NO

**AMP INCORPORATED
 CUSTOMER SERVICE SYSTEMS**

FOR ADDITIONAL PRODUCT INFORMATION OR COPIES OF DRAWINGS AND TECHNICAL DOCUMENTS
 1-800-522-6752

FOR APPLICATION TOOLING ASSISTANCE CENTER
 1-800-722-1111

FOR ORDER ENTRY
 1-800-526-5142

MAX RECOMMENDED OPERATING TEMPERATURE: 170°C MAX

VOLTAGE RATING: NOT APPLICABLE

WIRE CROSS SECTIONAL AREA RANGE: 0.26-1.65mm² [509-3,260] CIR MILS SOLID OR STRANDED

DO NOT SCALE PRINT. UNLESS SPECIFIED DIMENSIONS IN mm - FINISHES - TOLERANCES ON: 2 PLC DEC ± 3 PLC DEC ± ANGLES

MATERIAL: COPPER PER ASTM B-152 ANNEALED

FINISH: TIN PLATE 0.00254 [L.000100] MIN THK PER MIL-T-10727

DR 3-10-93 TA BRINKMAN	DR 3-10-93 DA PATTERSON
APPD 3-10-93 DE MILLER	APPD 3-10-93 JL MECKLEY
APPLICATION SPEC	
WEIGHT -	

AMP
 AMP Incorporated
 Harrisburg, PA 17105-3608

**TERMINAL, RING
 TONGUE, SOLISTRAND™**

SIZE	CAGE CODE	DRAWING NO
SCALE 8:1	00779	323086
SHEET		1 OF 1