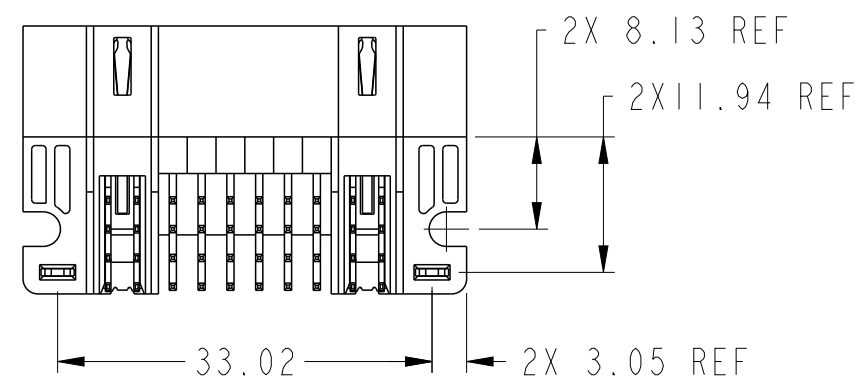
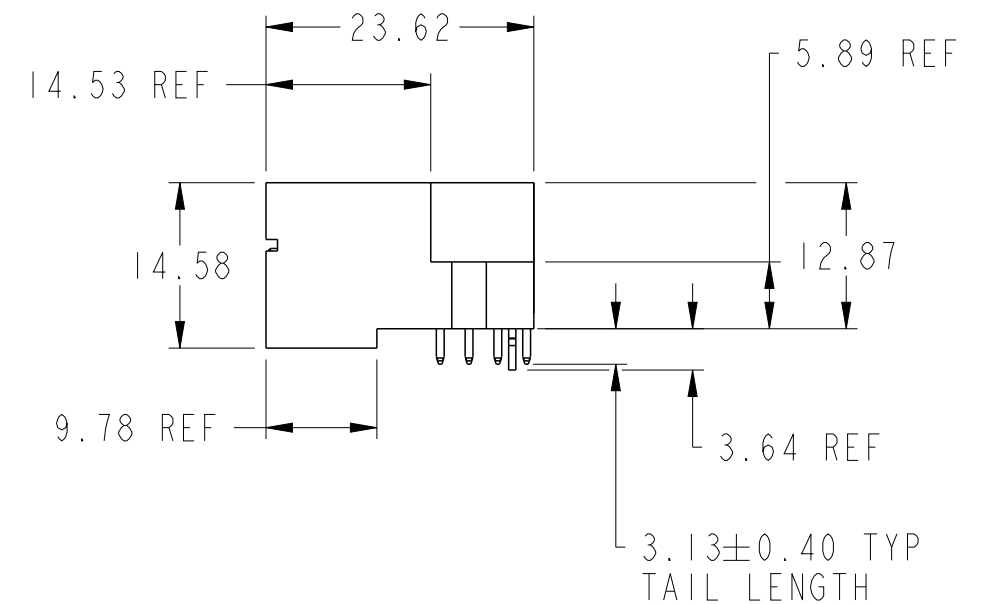
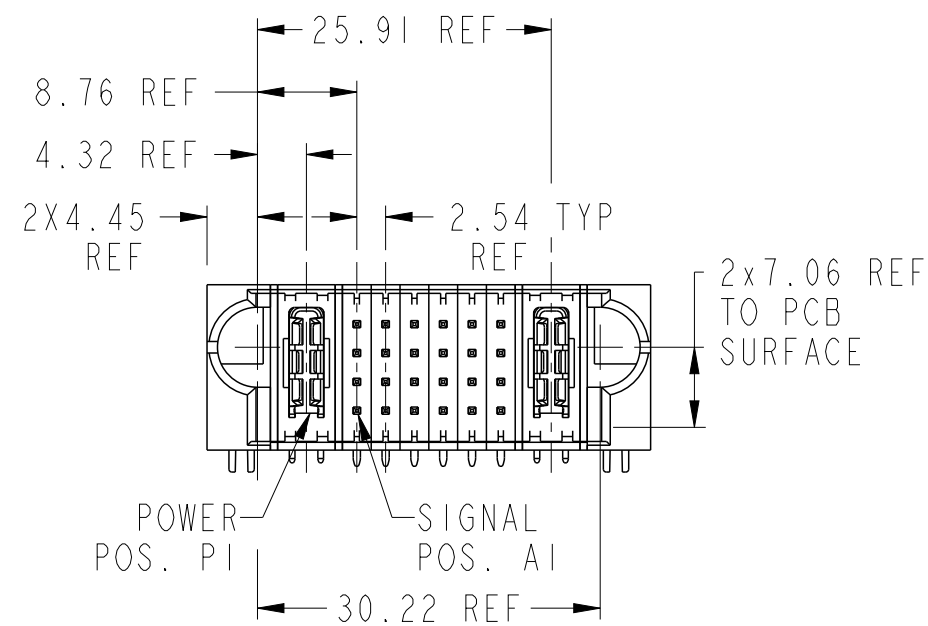
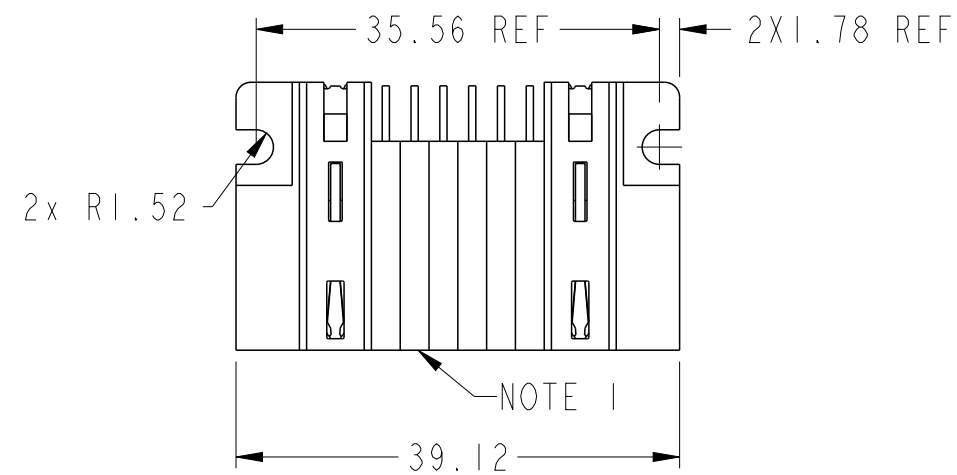


PART NUMBER 10106262-2LUB202LF

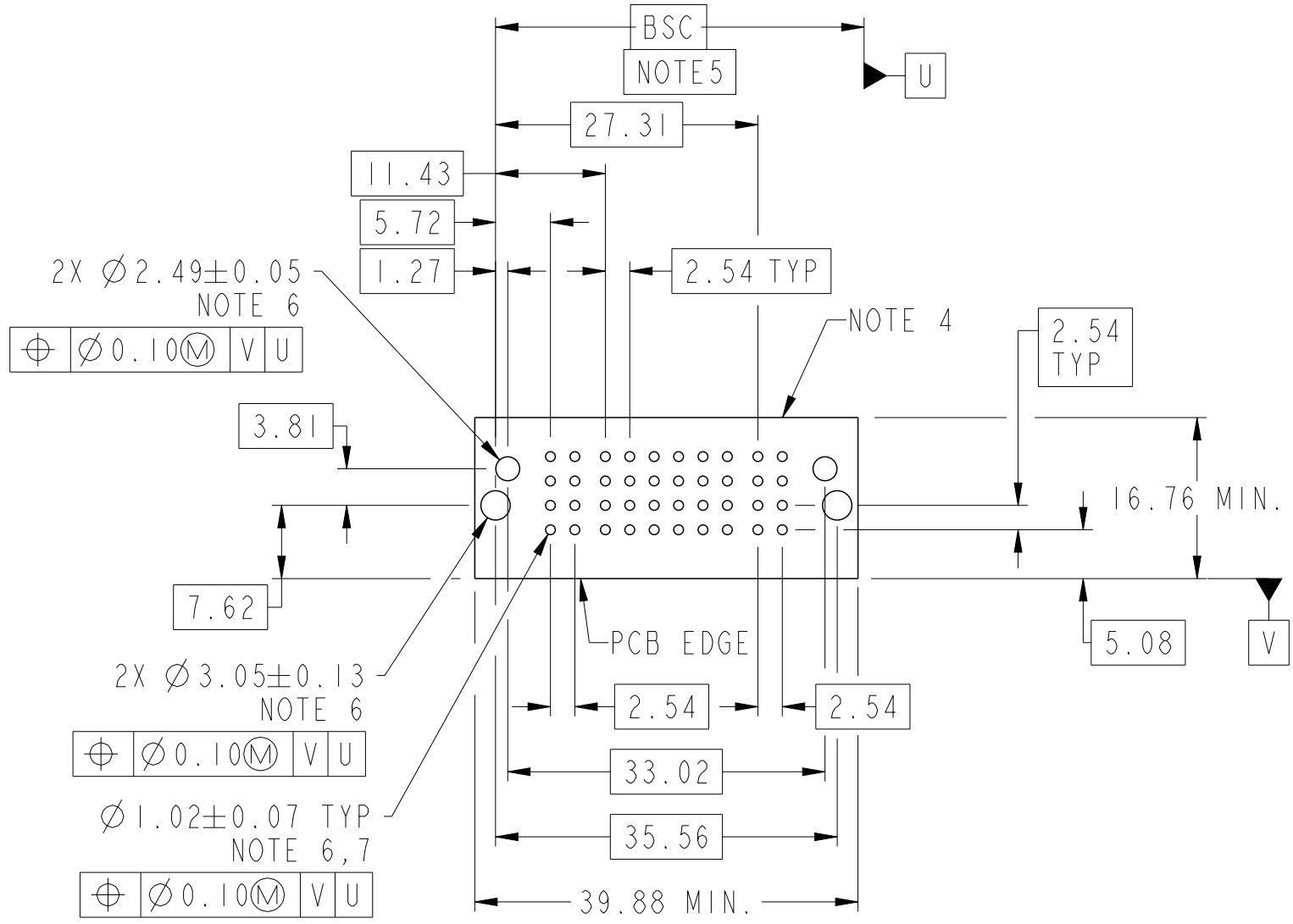


spec ref	*	dr	Xie Bob	2014/01/02	projection	MM	size	A3	scale	3:2
tolerance std	ASME Y14.5	eng	Rainbow Zhan	2014/08/04			ecn no	ELX-DG-18284-1		
TOLERANCES UNLESS OTHERWISE SPECIFIED		chr	-	-			product family	PwrBlade+	rel level	Released
surface	<input checked="" type="checkbox"/> linear <input type="checkbox"/> angular	0.X ±0.5 0.XX ±0.25 0.XXX ±0.10			IHP + 24S + IHP RA STB HEADER		dwg no 10106262-2LUB202	rev B		
ASME Y14.5	angular	0° ±2°	www.fci.com	cat. no.	Product - Customer Drw		sheet 1 of 3			



Copyright FCI.

PRODUCT NO.	ROWS	POWER		SIGNAL						POWER	
		E1	P1	1	2	3	4	5	6	P2	E2
10106262-2LUB202LF	DCBA	HA	H1	U	U	U	U	U	U	H1	HA



CODE	DESCRIPTION
F	MLBF SIGNAL CONTACT, ROW B
HI	STD HIGH POWER CONTACT
HA	METAL HOLD DOWN
R	STD SIGNAL CONTACT, ROW A
S	STD SIGNAL CONTACT, ROW B
T	STD SIGNAL CONTACT, ROW C
U	STD SIGNAL CONTACT, ROW D

dr	Xie Bob	2014/01/02	projection	MM	size	A3	scale	3:2
eng	Rainbow Zhan	2014/08/04			ecn no		ELX-DG-18284-1	
chr	-	-			rel level		Released	
appr	Pei-Ming Zheng	2014/08/04	product family		PwrBlade+		rel level	
			IHP + 24S + IHP			dwg no		10106262-2LUB202
www.fci.com			RA STB HEADER			rev		B
cat. no.			Product - Customer Drw			sheet 2 of 3		



Copyright FCI.

NOTES:

- 1) "FCI", PART NUMBER AND DATE CODE TO BE MARKED ON THIS SURFACE.
THE P/N CAN BE OMITTED IF THERE IS NOT ENOUGH SPACE ON THIS SURFACE.
- 2) MATERIALS:
-HOUSING - GLASS FILLED WITH HIGH TEMP THERMOPLASTIC, UL94V-0.
-SIGNAL CONTACT - COPPER ALLOY.
-POWER CONTACT - HIGH CONDUCTIVITY COPPER ALLOY.
- △3) PLATING SPECIFICATION REFER TO FCI 10131226.
- 4) DENOTES CONNECTOR KEEP OUT ZONE.
- 5) DATUM AND BASIC DIMENIONS WERE ESTABLISHED BY CUSTOMER.
- 6) ALL HOLE DIAMETERS ARE FINISHED HOLE SIZES.
- 7) 1.15±0.025MM DRILLED HOLE PLATED WITH 0.00762MM MIN Sn
OVER 0.0254-0.0762MM Cu PLATING TO ACHIEVE A 1.02±0.07MM HOLE.
- 8) PRODUCT SPECIFICATION REFER TO FCI GS-12-658.
APPLICATION SPECIFICATION REFER TO FCI GS-20-141.
PRODUCT PACKAGED IN TRAYS, REFER TO FCI GS-14-1502.
- 9) SPECAIL LUBRICANT COMPOSED Zonyl PFPE 109
APPLIED TO THE MATING INTERFACE OF THE HIGH POWER
CONTACTS WITH 3-BEAMS .
- △10) △SYMBOL WILL BE NEXT TO ANY DIMENSION, VIEW, OR
NOTE WHICH HAS BEEN MODIFIED WITH THE CURRENT
DRAWING REVISION.



Copyright FCI.

dr	Xie Bob	2014/01/02	projection 	MM ←→	size	A3	scale	3:2	
eng	Rainbow Zhan	2014/08/04			ecn no	ELX-DG-18284-1			
chr	-	-	product family	PwrBlade+	rel level	Released			
appr	Pei-Ming Zheng	2014/08/04	IHP + 24S + IHP		dwg no	10106262-2LUB202		rev	B
www.fci.com		cat. no.	Product - Customer Drw		sheet 3 of 3				