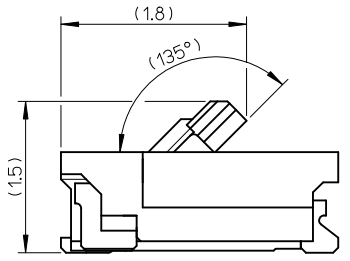
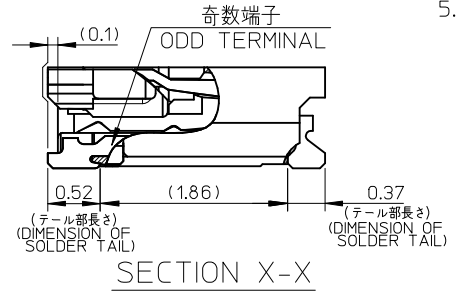
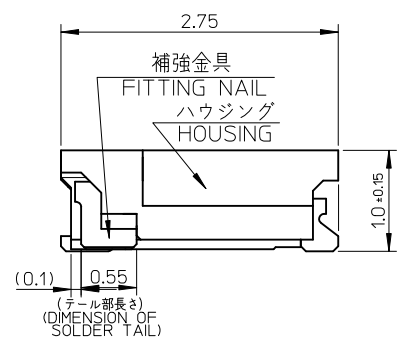
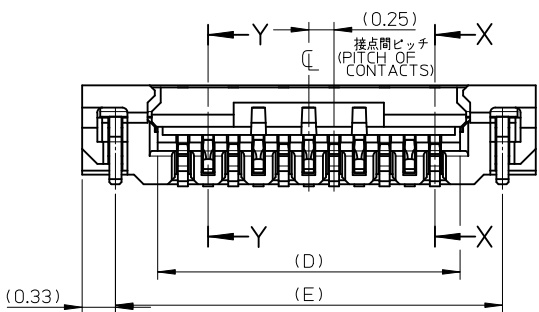
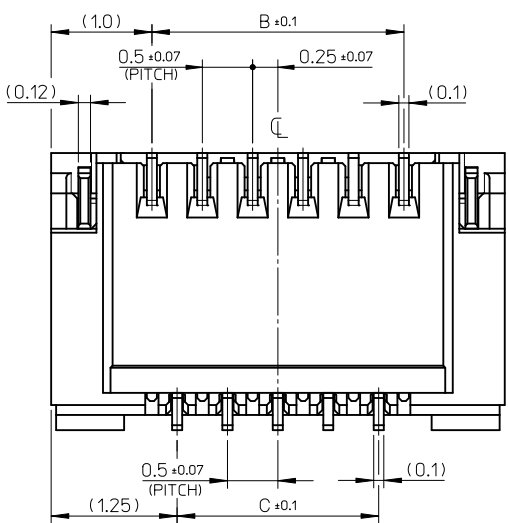


注記 NOTES

1. 使用材料 MATERIALS
 - ハウジング : 耐熱性樹脂(UL94V-0、ベージュ)
 - アクチュエータ : 耐熱性樹脂(UL94V-0、黒色)
 - 奇数端子 : 銅合金、ニッケル下地、金メッキ
 - 偶数端子 : 銅合金、ニッケル下地、金メッキ
 - 補強金具 : 銅合金、ニッケル下地、スズメッキ
 - HOUSING : G.F. HEAT RESISTANCE PLASTIC (BEIGE)
 - ACTUATOR : G.F. HEAT RESISTANCE PLASTIC (BLACK)
 - ODD TERMINAL : COPPER ALLOY, Gold OVER Nickel PLATING
 - EVEN TERMINAL : COPPER ALLOY, Gold OVER Nickel PLATING
 - FITTING NAIL : COPPER ALLOY, Tin OVER Nickel PLATING
- △ 端子、補強金具のコプラナリティーは 0.1 以下とする
COPLANARITY OF SOLDER TAILS AND FITTING NAILS : 0.1MAX.
3. 一般公差: ±0.3
GENERAL TOLERANCES: ±0.3
△ アクチュエータの図示箇所にゲート逃けの凹みがあります
THERE ARE DENT SHAPES AT ACTUATOR FOR MOLDING GATE
5. ELV及びRoHS適合品
ELV AND RoHS COMPLIANT

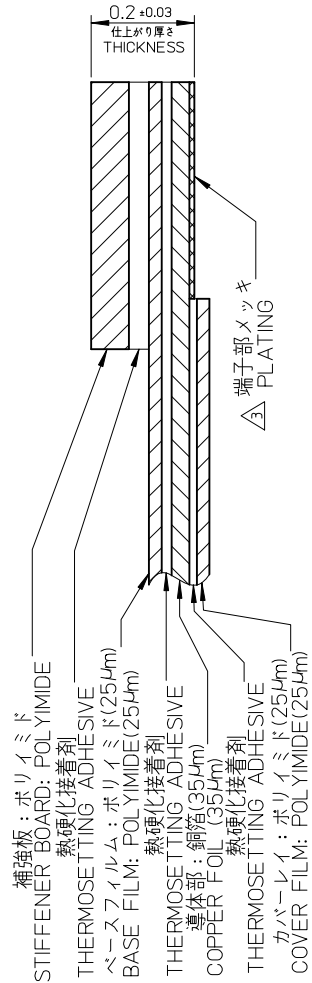


アクチュエータ開放位置
ACTUATOR OPENING POSITION

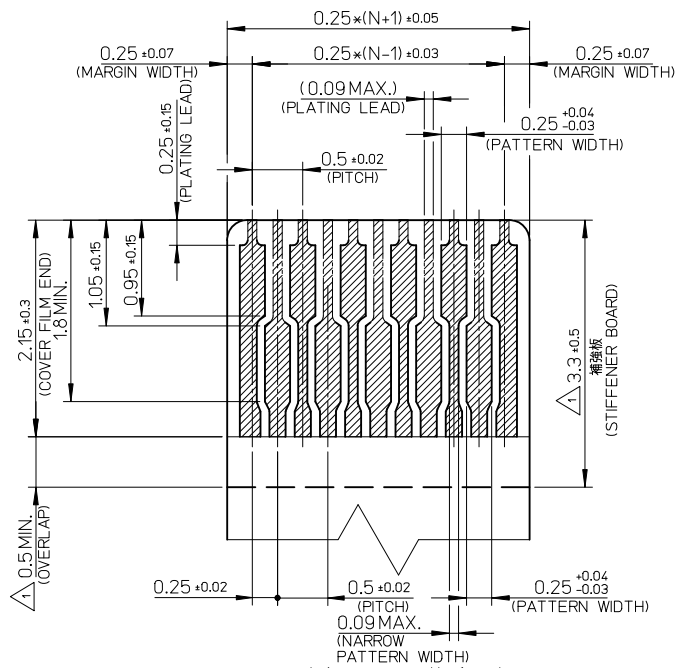


13.84	13	12	12.5	14.5	502078-5108	51
10.84	10	9	9.5	11.5	502078-3908	39
7.34	6.5	5.5	6	8	502078-2508	25
6.34	5.5	4.5	5	7	502078-2108	21
5.34	4.5	3.5	4	6	502078-1708	17
E	D	C	B	A	MATERIAL NO.	CKT.=N
502078-***08					MODEL NO.	

REVISED EC NO.: J2010-2171 G DRAWN: TANAKA 2010/04/27 CHKD: KANEKO 2010/06/15 APPR: SHOSHIKAWA 2010/06/15	DESCRIPTION REV	GENERAL TOLERANCES (UNLESS SPECIFIED)		DIMENSION STYLE MM ONLY		SCALE 20:1		DESIGN UNITS METRIC		THIRD ANGLE PROJECTION	
		10 UNDER	± ---	DRAWN BY	DATE	TITLE					
		10 OVER 30 UNDER	± ---	CHECKED BY	DATE	0.25 PITCH FPC CONN E/O HGT=1.0 BTM CONTACT TYPE					
		30 OVER	± ---	APPROVED BY	DATE	MOLEX INCORPORATED					
ANGULAR ±1 °		DRAFT WHERE APPLICABLE MUST REMAIN WITHIN DIMENSIONS		MATERIAL NO. SEE CHART		DOCUMENT NO. SD-502078-001		SHEET NO. 1 OF 2			
SIZE A3 THIS DRAWING CONTAINS INFORMATION THAT IS PROPRIETARY TO MOLEX INCORPORATED AND SHOULD NOT BE USED WITHOUT WRITTEN PERMISSION											



FPC 構成材料例
EXAMPLE OF FPC COMPOSITION MATERIAL



適合するFPC 推奨寸法
APPLICABLE FPC
RECOMMENDED DIMENSION

(端子部仕上がり厚さ: 0.2 ± 0.03)
(THICKNESS: 0.2 ± 0.03)

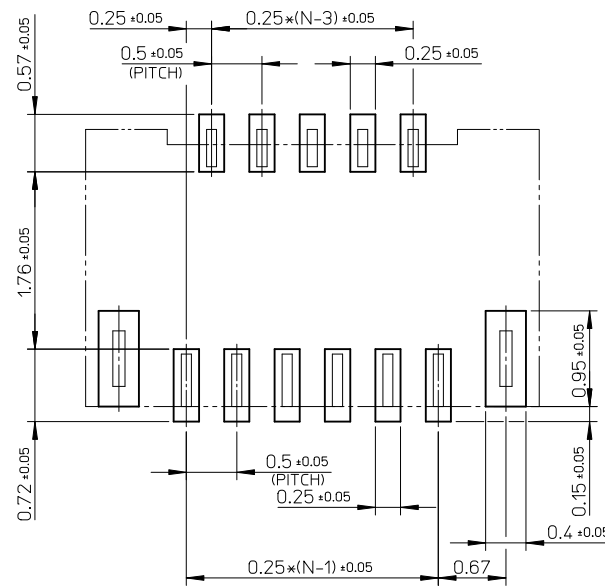
注記 NOTES

- 補強板長さが図面通り確保できない場合は、カバーレイと補強板のオーバーラップ寸法を 0.5mm 以上としてください
WHEN STIFFENER BOARD DIMENSION CAN NOT BE SECURE AS DRAWING, PLEASE GIVE THE OVERLAP SIZE OF COVER FILM AND STIFFENER BOARD AS 0.5mm MINIMUM
- 推奨ペースト厚 : 100µm
推奨マスク開口率 : 80%
RECOMMEND SCREEN THICKNESS : 100µm
RECOMMEND SCREEN OPEN RATIO : 80%

- FPCパターンのメッキ仕様は
金メッキ : 0.1µm 以上
下地ニッケルメッキ : 2~6µm
FPC PATTERN PLATING
GOLD PLATING : 0.1µm MINIMUM
NICKEL UNDER PLATING : 2~6µm

4 FPCについて (ABOUT FPC)

抜き方向は、導体側から補強板側を推奨します
補強板材質は、ポリイミドを推奨します
接着剤は熱硬化接着剤を推奨します
なお、接着剤の接点部への付着は導通不良の原因となりますので染み出しがないよう、お願いします
RECOMMENDED PUNCHER DIRECTION:
FROM CONDUCTOR SIDE TO STIFFENER BOARD SIDE
RECOMMENDED MATERIAL:
STIFFENER BOARD: POLYIMIDE
BONDING AGENT: THERMOSETTING AGENT
PLEASE PUT APPROPRIATE AMOUNT OF ADHESIVE ON THE CONTACT AREA BECAUSE THE EXTRA ADHESIVE MAY CAUSE THE DEFECT IN ELECTRICAL CONTINUITY

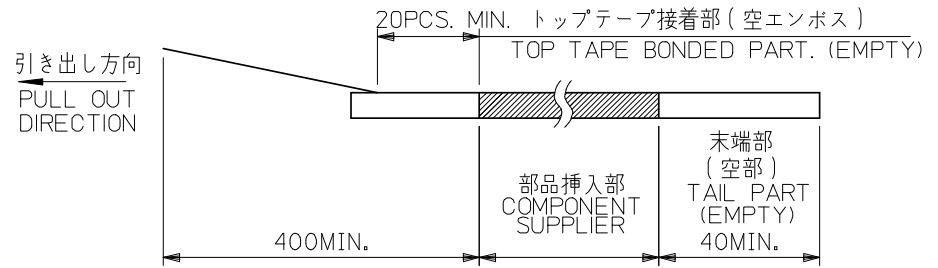
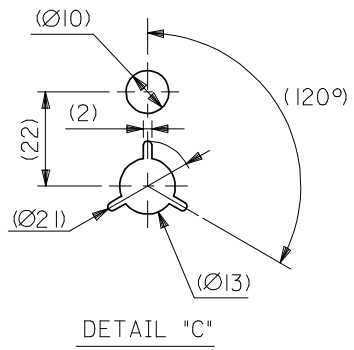
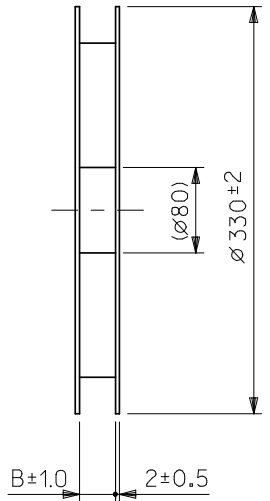
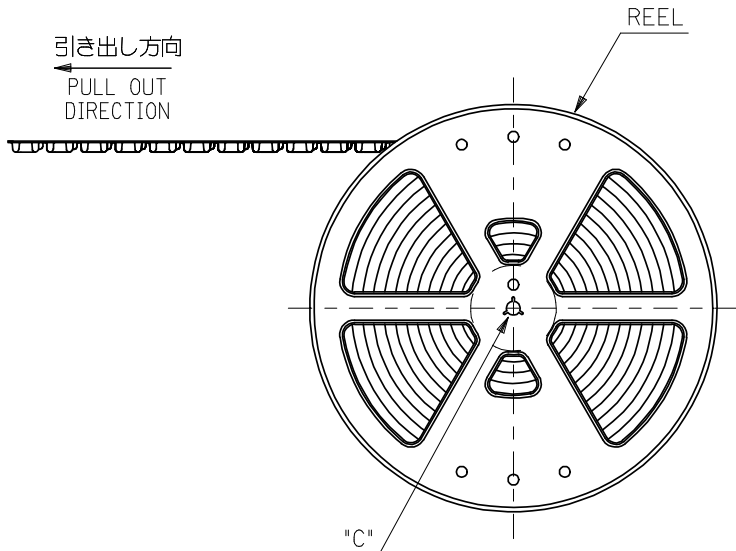


FPC挿入側
FPC INSERTION SIDE
参考基板レイアウト
RECOMMENDED PCB
PATTERN DIMENSIONS (REF.)

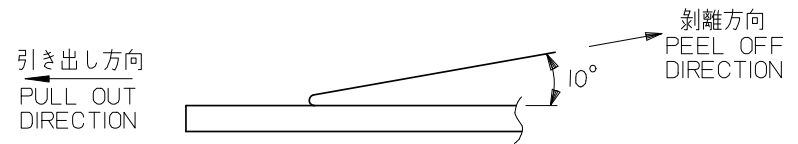
REVISED EC NO.: J2010-2171 DRAWN: TANAKA 2010/04/27 CHKD: KANEKO 2010/06/15 APPR: SHOSHIKAWA 2010/06/15	DESCRIPTION REV	GENERAL TOLERANCES (UNLESS SPECIFIED)		DIMENSION STYLE MM ONLY	SCALE 20:1	DESIGN UNITS METRIC	THIRD ANGLE PROJECTION	
		10 UNDER	± ---	DRAWN BY KTAKETOMI	DATE 2006/11/09	TITLE 0.25 PITCH FPC CONN E/O HGT=1.0 BTM CONTACT TYPE		
		10 OVER 30 UNDER	± ---	CHECKED BY TKANEKO	DATE 2006/11/09	MOLEX INCORPORATED		
		30 OVER	± ---	APPROVED BY AHORINO	DATE 2006/11/09			
		ANGULAR ±1 °		MATERIAL NO. SEE SHEET 1 OF 2	DOCUMENT NO. SD-502078-001	SHEET NO. 2 OF 2		
DRAFT WHERE APPLICABLE MUST REMAIN WITHIN DIMENSIONS		SIZE A3	THIS DRAWING CONTAINS INFORMATION THAT IS PROPRIETARY TO MOLEX INCORPORATED AND SHOULD NOT BE USED WITHOUT WRITTEN PERMISSION					

注記 NOTES

1. 製品詳細寸法については図面 SD-502078-001 を参照下さい。
RE DETAILED DIMENSION, SEE SD-502078-001
2. 梱包数量 : 3000 個/リール
NUMBER OF CONNECTORS : 3000 PCS/REEL
3. リードテープ長さ LEAD TAPE LENGTH

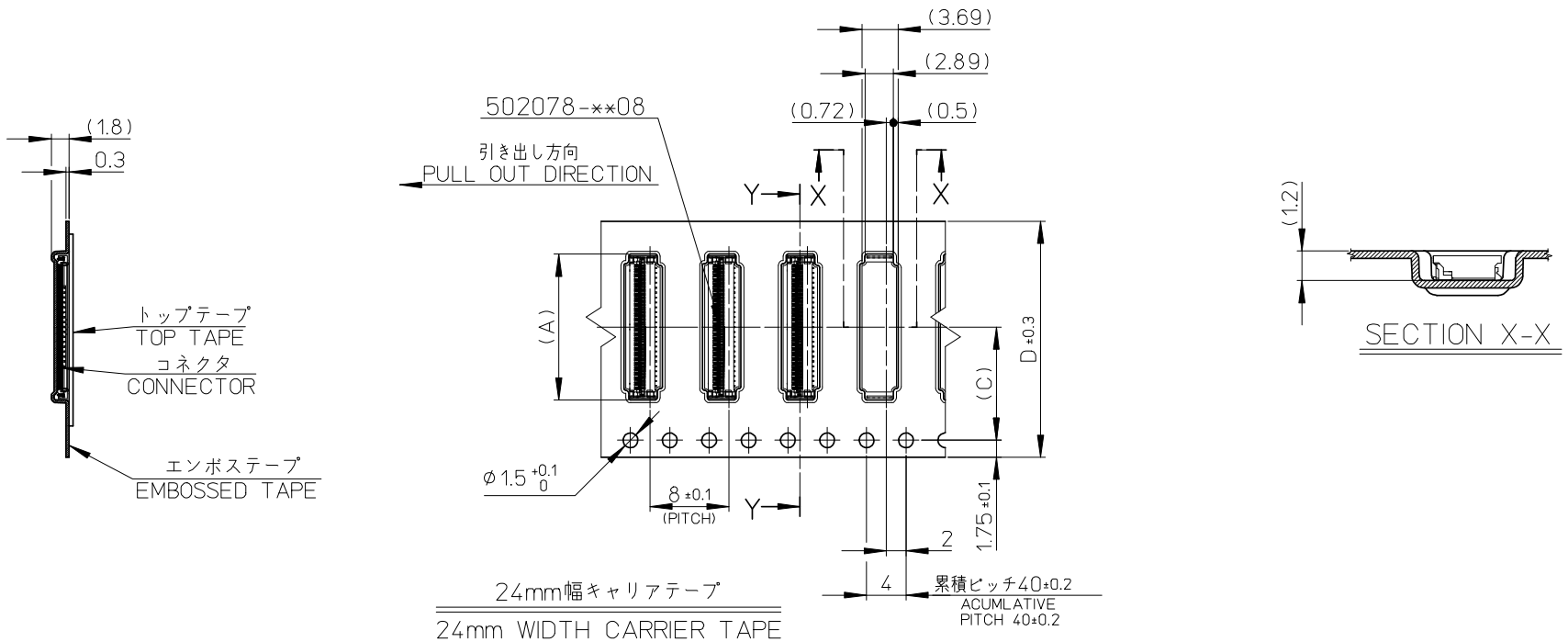


4. トップテープの剝離強度 : 0.1N~1.3N (10.2gf~132gf)
(剝離方向は下図参照)
尚、本規格値は出荷時に適用。(但し、輸送時に剝離が発生しないこと。)
PEELING OFF FORCE OF TOP TAPE : 0.1N~0.7N(10.2gf~71.4gf)
(PEELING DIRECTION AS SHOWN IN FOLLOWING FIG.)
THIS REQUIREMENT SHOULD BE APPLIED AT SHIPMENT.
PEEL OFF SHOULD NOT BE ALLOWED, DURING TRANSPORTION.



5. 材料 MATERIAL
キャリアテープ (CARRIER TAPE) : ポリスチレン (POLYSTYRENE)
トップテープ (TOP TAPE) : PET, PE, PEF
リール (REEL) : ポリスチレン (PS) <リサイクル材を含む>
POLYSTYRENE (PS) <RECYCLE MATERIAL CONTAINED>

REVISED EC NO: J2008-4066 DRAWN: TAKETOMI 2008/07/01 CHKD: TKANEKO 2008/07/01 APPR: TKANEKO 2008/07/02	DESCRIPTION	GENERAL TOLERANCES (UNLESS SPECIFIED)		DIMENSION STYLE MM ONLY		SCALE ---	DESIGN UNITS METRIC	MODEL NO. 502078-**00
		10 UNDER	±0.2	DRAWN BY TAKETOMI	DATE 2006/02/16	TITLE 0.25MM FPC CONN E/O HSG ASSY EMBOSSED TAPE PACKAGE		
		10 OVER 30 UNDER	±0.25	CHECKED BY TKANEKO	DATE 2006/02/16	THIRD ANGLE PROJECTION		
		30 OVER	±0.3	APPROVED BY AHORINO	DATE 2006/02/16	MOLEX INCORPORATED		
		ANGULAR ±3 °		MATERIAL NO.	DOCUMENT NO.	SHEET NO.		
		DRAFT WHERE APPLICABLE MUST REMAIN WITHIN DIMENSIONS		SEE CHART		SD-502078-002		1 OF 2
B	REV	SIZE A3 THIS DRAWING CONTAINS INFORMATION THAT IS PROPRIETARY TO MOLEX INCORPORATED AND SHOULD NOT BE USED WITHOUT WRITTEN PERMISSION						EN-02JA(021)



24	11.5	25.4	14.8	502078-5100	51
			11.8	502078-3900	39
			8.3	502078-2500	25
			7.3	502078-2100	21
16	7.5	17.4	6.3	502078-1700	17
D キャリアテープ幅 CARRIER TAPE WIDTH	C	B	(A)	製品番号 MATERIAL NO.	極数 CKT.
MODEL NO.			502078-**00		

REVISED EC NO: J2008-4066 DRAWN: TAKETOMI 2008/07/01 CHKD: TKANEKO 2008/07/01 APPR: TKANEKO 2008/07/02	GENERAL TOLERANCES (UNLESS SPECIFIED)		DIMENSION STYLE MM ONLY		SCALE ---	DESIGN UNITS METRIC	THIRD ANGLE PROJECTION
	10 UNDER	±0.2	DRAWN BY KTAKETOMI	DATE 2006/02/16	TITLE 0.25MM FPC CONN E/O HSG ASSY EMBOSSED TAPE PACKAGE		
	10 OVER 30 UNDER	±0.25	CHECKED BY TKANEKO	DATE 2006/02/16			
	30 OVER	±0.3	APPROVED BY AHORINO	DATE 2006/02/16	MOLEX INCORPORATED		
	ANGULAR	±3 °	MATERIAL NO.	DOCUMENT NO.			
	DRAFT WHERE APPLICABLE MUST REMAIN WITHIN DIMENSIONS		SEE CHART		SD-502078-002	2 OF 2	
THIS DRAWING CONTAINS INFORMATION THAT IS PROPRIETARY TO MOLEX INCORPORATED AND SHOULD NOT BE USED WITHOUT WRITTEN PERMISSION							