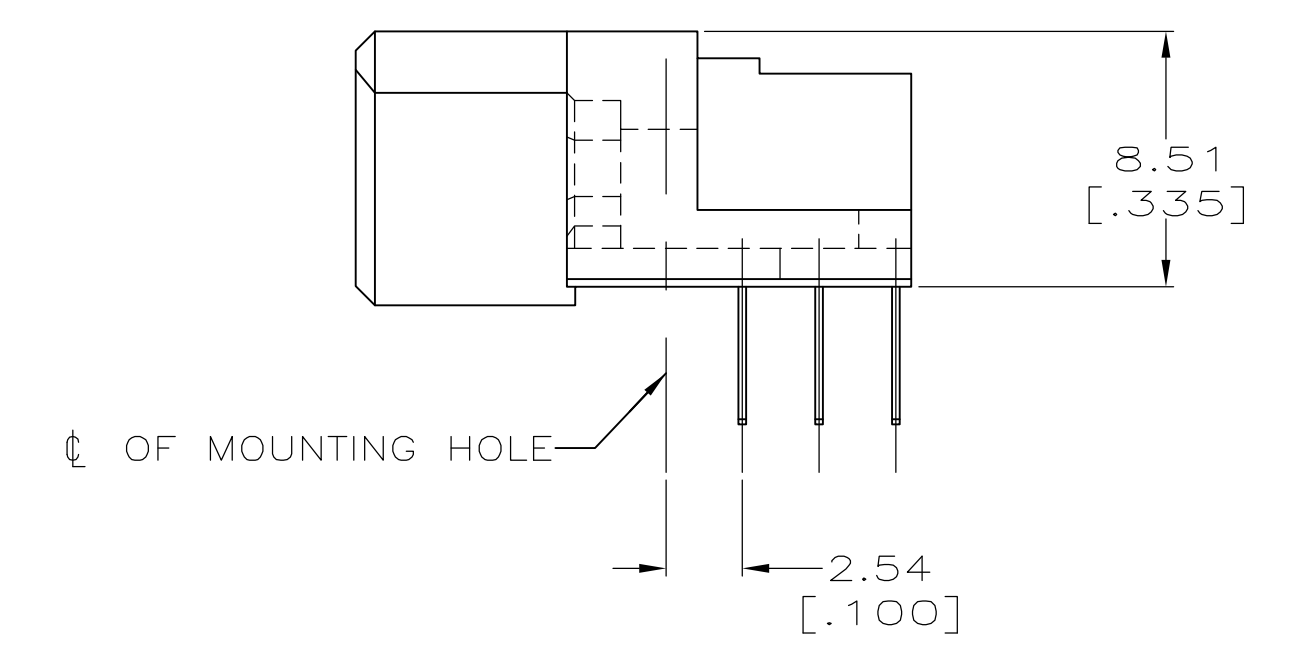
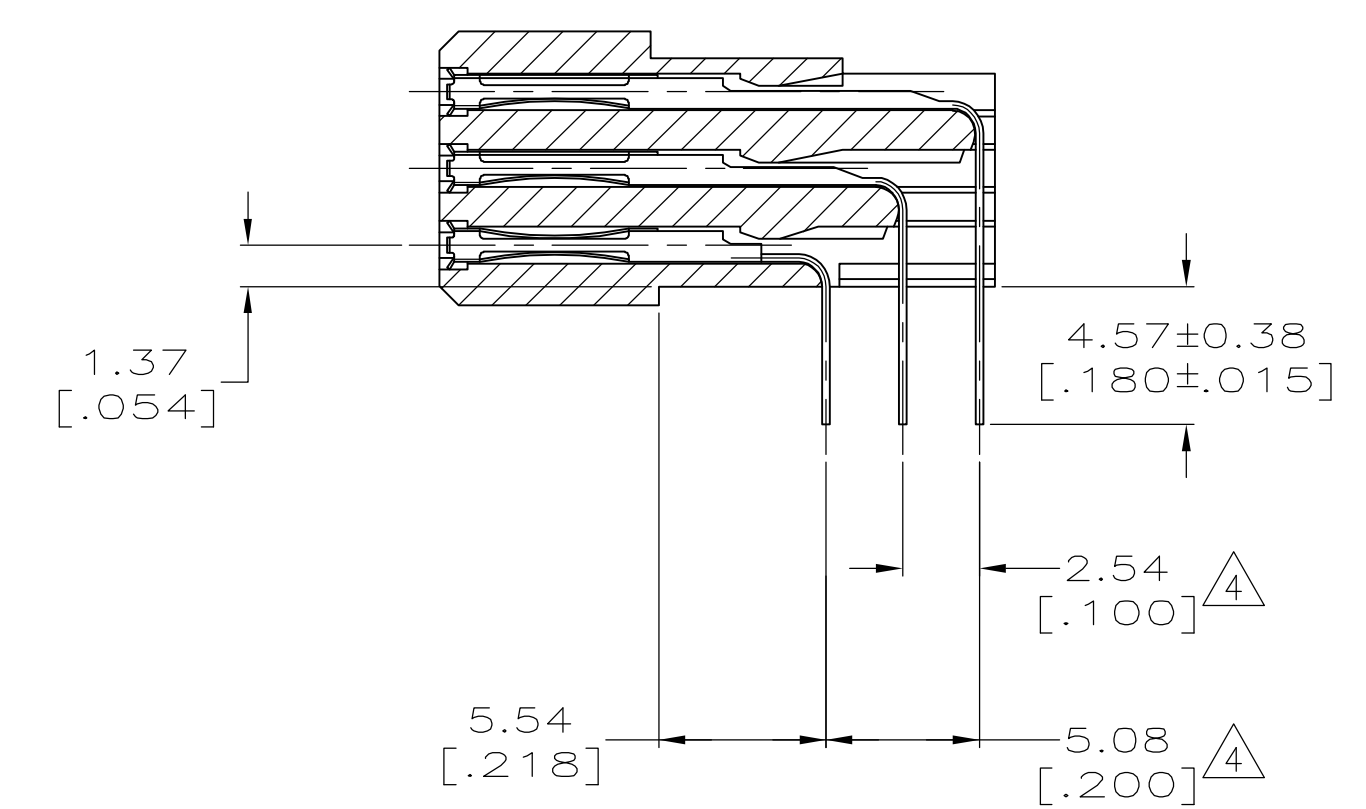
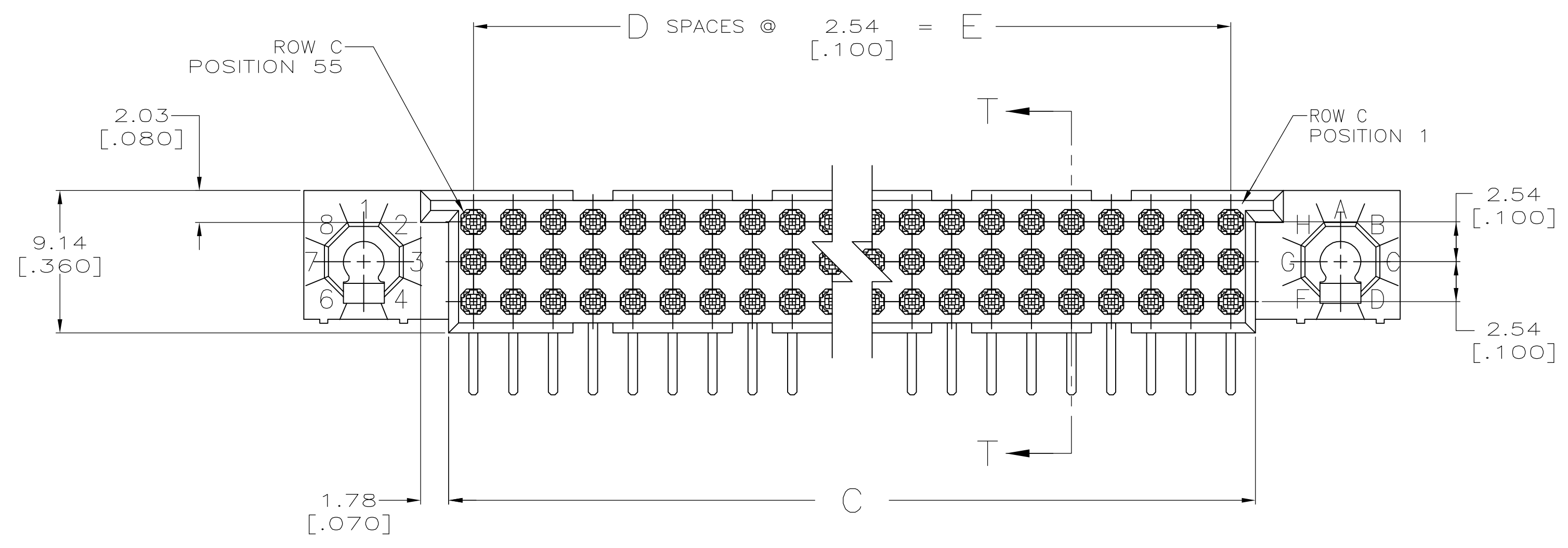


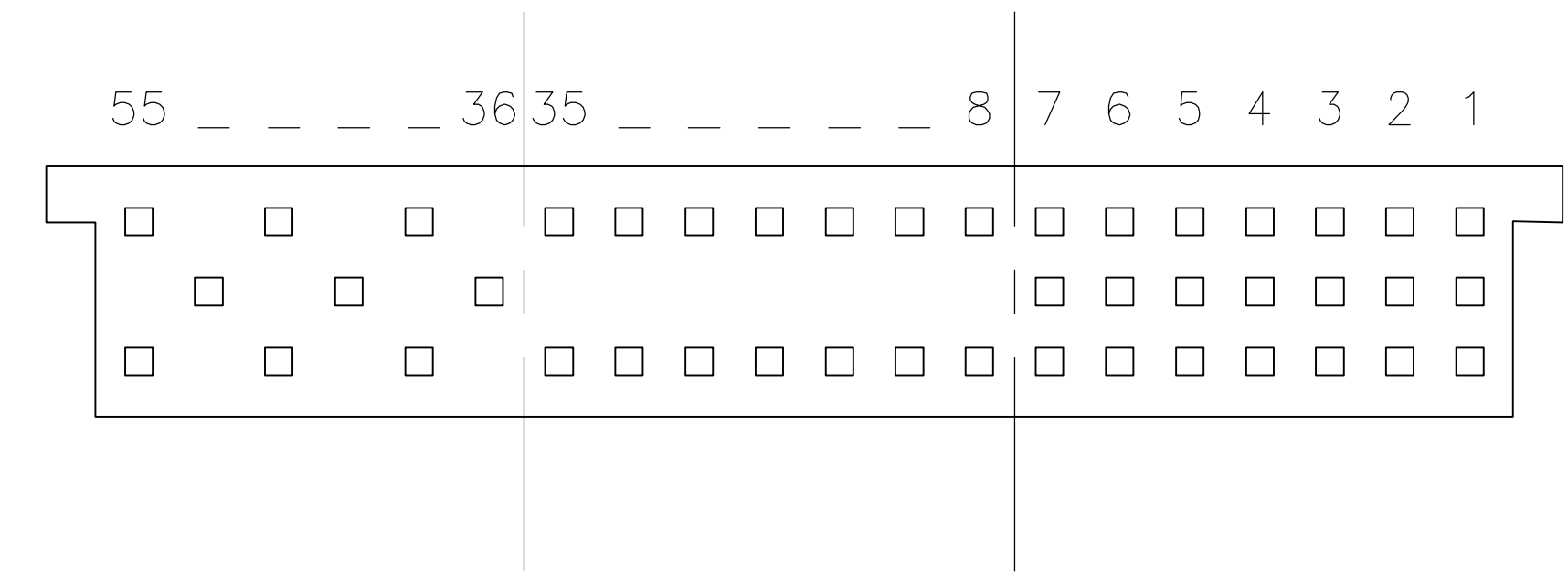
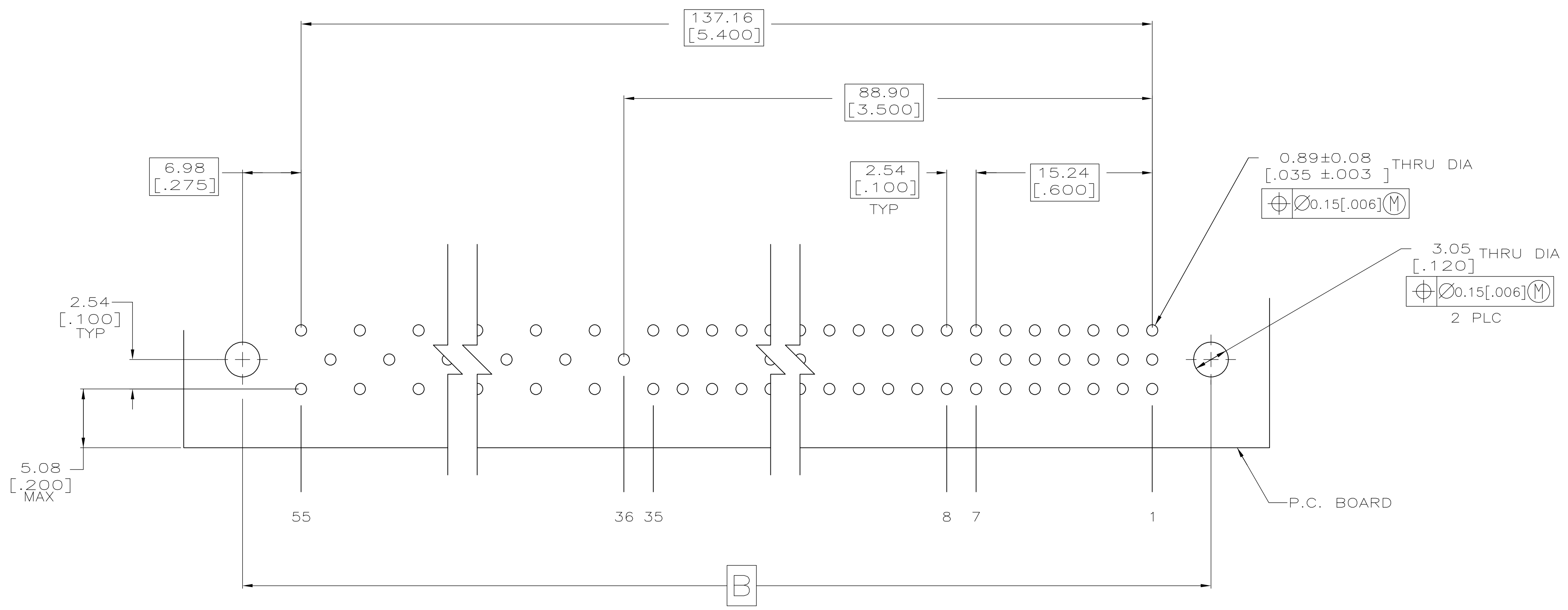
- ① HOUSING MATERIAL: THERMOPLASTIC.
- ② CONTACT MATERIAL: COPPER ALLOY
- ③ CONTACT FINISH: 0.000762[.000030] GOLD IN CONTACT AREA OVER 0.00127-0.00254[.000050-.000100] NICKEL UNDERPLATE TIN PLATED SOLDER POSTS
- ④ SOLDER TAILS MUST FIT HOLE PATTERN AS SHOWN ON THE RECOMMENDED P.C. BOARD LAYOUT
- ⑤ SEE SHEET 2 FOR LOADING PATTERN AND P.C. BOARD LAYOUT



SECTION T-T

137.16 [5.400]	54	140.31 [5.524]	151.13 [5.950]	158.75 [6.250]	107	5532834-1
E	D	C	B	A	POSITION	PART NUMBER

THIS DRAWING IS A CONTROLLED DOCUMENT.		DWN POLIGNONE	10JUN05	tyco Electronics	Tyco Electronics Corporation Harrisburg, Pa 17105-3608	
DIMENSIONS: mm [INCHES]		CHK A. SHARPE	10JUN05		NAME	ASSEMBLY, RECEPTACLE, RIGHT ANGLE, HDI, LEAD-FREE, 3 ROW, WITHOUT GUIDES, 4.57[.180] SOLDER POSTS, 107/165 POSITION
TOLERANCES UNLESS OTHERWISE SPECIFIED:		APP'D A. SHARPE	10JUN05	PRODUCT SPEC	APPLICATION SPEC	
0 PLC ± -				SIZE	CAGE CODE	DRAWING NO
1 PLC ± -				WEIGHT	-	A1 00779
2 PLC ± 0.15[.005]				CUSTOMER DRAWING		
3 PLC ± -				SCALE 4:1		
4 PLC ± -				SHEET 1 OF 2		
ANGLES ± -				REV 0		
FINISH				DRAWING NO 5532834		



CONTACT LOADING PATTERN
 107 CONTACTS
 P/N 5532834-1

RECOMMENDED P.C. BOARD LAYOUT
 CONNECTOR SIDE DOWN
 P/N 5532834-1

THIS DRAWING IS A CONTROLLED DOCUMENT.		DWN J. POLIGNONE 10JUN05	10JUN05	tyco Electronics	Tyco Electronics Corporation Harrisburg, Pa 17105-3608
DIMENSIONS: mm [INCHES]		CHK A. SHARPE 10JUN05	10JUN05	NAME A. SHARPE	PRODUCT SPEC
TOLERANCES UNLESS OTHERWISE SPECIFIED:		APPRO A. SHARPE 10JUN05		APPLICATION SPEC	RESTRICTED TO
0 PLC ± -		SIZE A1		CAGE CODE 000779	DRAWING NO 5532834
1 PLC ± -		WEIGHT -		SCALE 4:1	SHEET 2 OF 2
2 PLC ± 0.15[.005]		CUSTOMER DRAWING		REV 0	
3 PLC ± -					
4 PLC ± -					
ANGLES ± -					
FINISH					