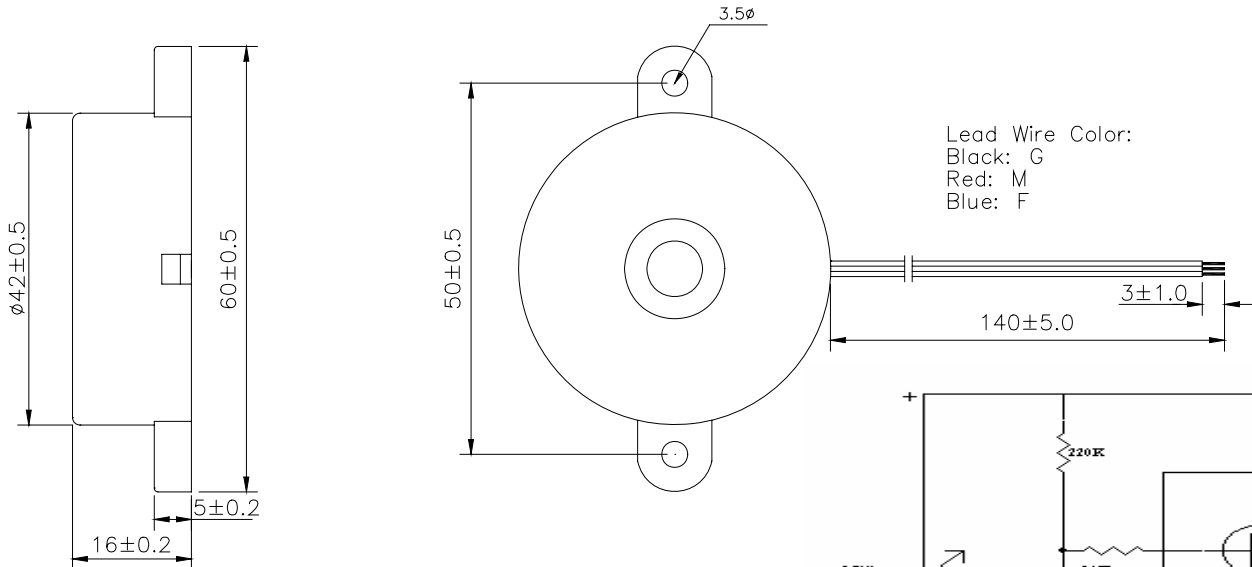


Sales Outline DrawingRevision **A****Specifications:**

| | |
|----------------------------------|--|
| Resonant Frequency (Hz) | 2900 ± 500 |
| Operating Voltage (Vdc/max) | 3 ~ 28 |
| Rated Voltage (Vdc) | 12 |
| Current Consumption (mA/max) | 8.0 at Rated Voltage |
| Sound Pressure Level (dB/min) | 90 at 30cm at Rated voltage |
| Operating Temperature (°C) | -20 ~ +70 |
| Storage Temperature (°C) | -30 ~ +80 |
| Housing | ABS 757 UL94HB plastic resin (Color: Black) |
| Lead Wires | 28 AWG |
| Weight (Grams) | 11.4 |
| Condition by wave soldering (°C) | 245 ±5 / 3±0.5 sec |
| Condition by hand soldering (°C) | 350 ±20 / within 5 sec |
| Options | For other options contact factory |

PS: Vp-p = 1/2duty, square wave

RoHS Compliant**Dimensions:** (units: mm)**Recommended Driving Circuit:**