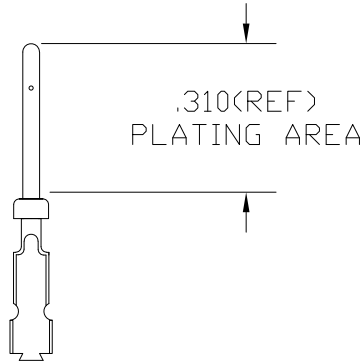


MATERIAL: BRASS
 RoHS COMPLIANT
 WIRE SIZE: 24 - 28 AWG

GOLD PLATING THICKNESS IS BETWEEN 1u" AND 1.5u"



NOTE #1: CONTACTS SUPPLIED LOOSE PIECE (500 PER BAG)
 NOTE #2: RECOMMENDED MAX. INSULATION DIAMETER FOR 24-28 IS .035".

PLATING	WIRE SIZE:
GOLD FLASH ON MATING AREA NICKEL ON WIRE CRIMP	24-28 170-101-170L001
.000010" GOLD OVER .000050" NICKEL ENTIRE CONTACT	170-101-170L002
.000030" GOLD OVER .000100" NICKEL ENTIRE CONTACT	170-101-170L003

RoHS COMPLIANT

UNITS = inch

DO NOT SCALE FROM DRAWING



THESE DRAWINGS AND SPECIFICATIONS ARE THE PROPERTY OF NorComp AND SHALL NOT BE REPRODUCED, COPIED OR USED AS THE BASIS FOR THE MANUFACTURE OR SALE OF APPARATUS WITHOUT WRITTEN PERMISSION.

DRAWN:
P. JENKINS
 DATE:
 05/23/2002

NorComp

SCALE: NTS	SHEET 1	OF 1	REV 3
DWG NO.		170-101-170L00Y	