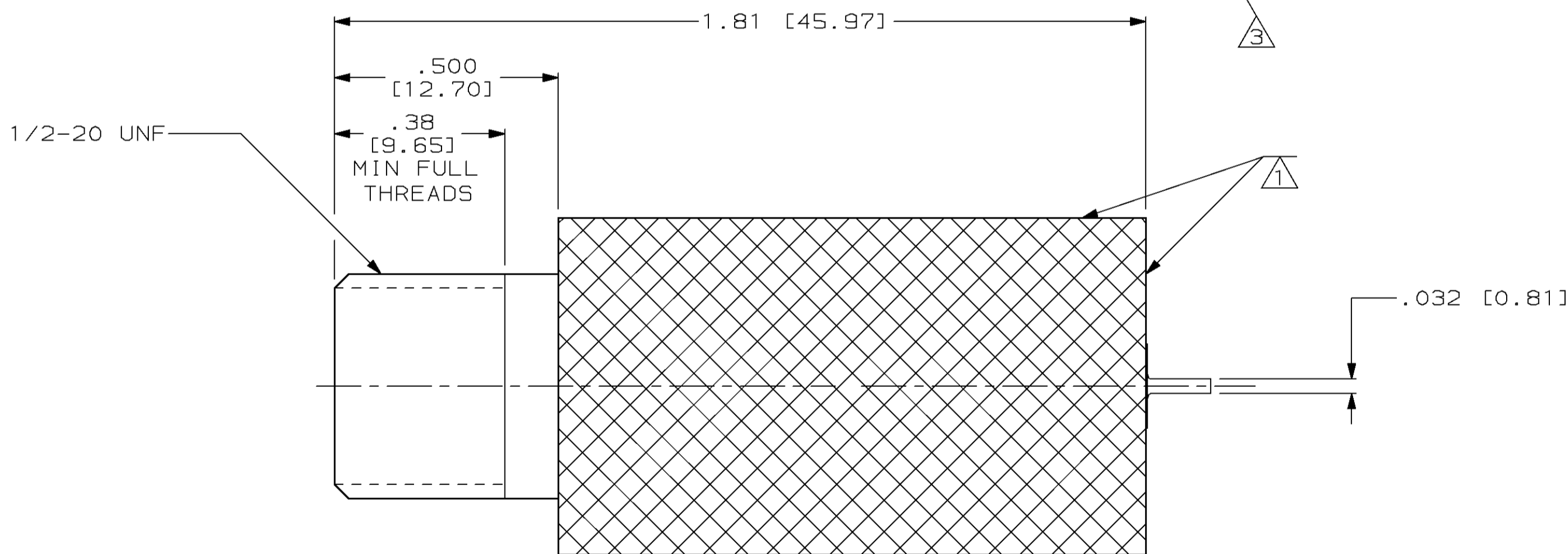
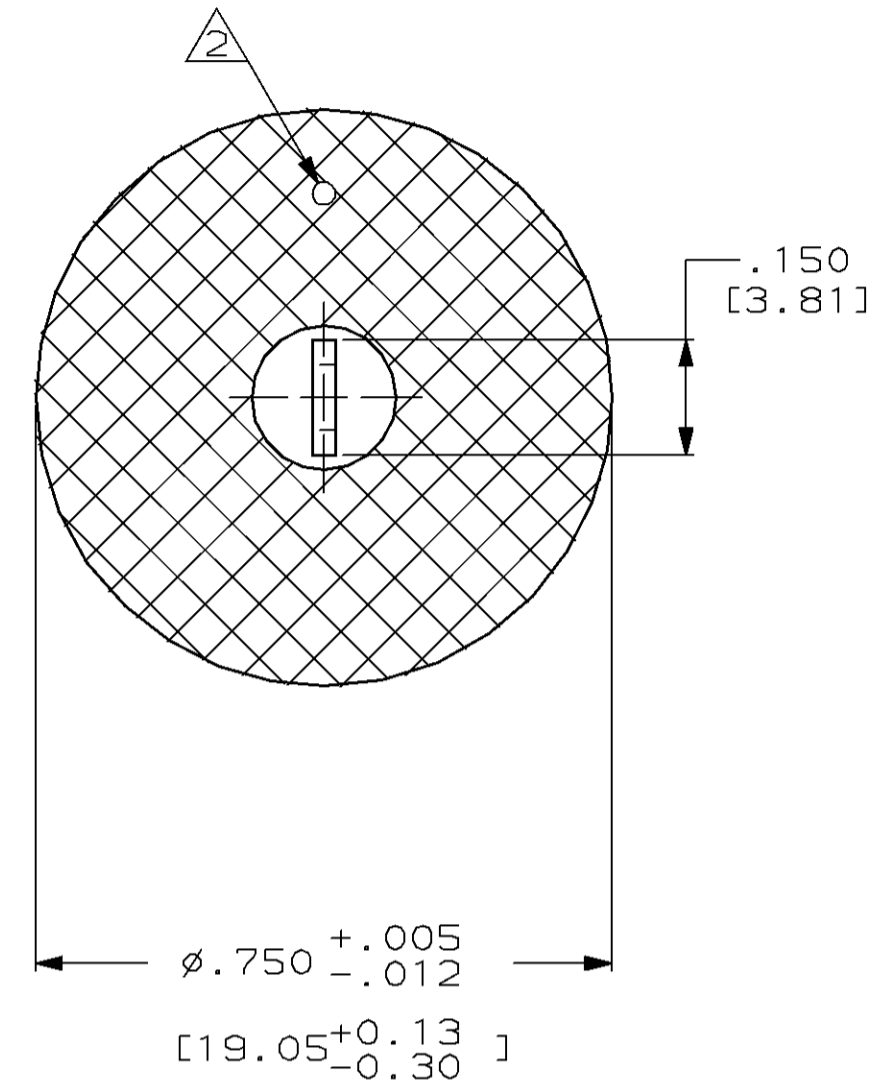
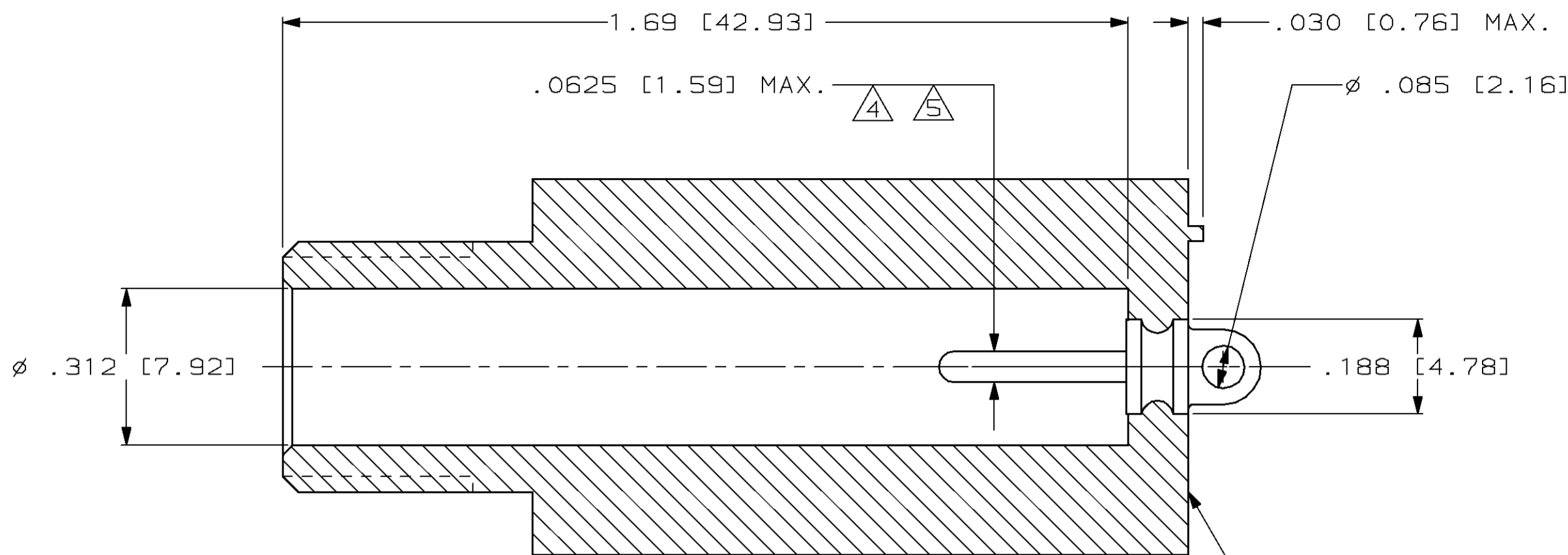


THIS DRAWING IS UNPUBLISHED. RELEASED FOR PUBLICATION .19 .
 © COPYRIGHT 19 BY AMP INCORPORATED. ALL INTERNATIONAL RIGHTS RESERVED.

PROD CODE	LOC	DIST	P	F	ZONE	LTR	DESCRIPTION	DATE	APPD
4087	DF	SO				F	REV PER 0600-5825-96 CT	10-96	SG



- ① .750 DIA AND REAR SURFACE SAND BLASTED TO PROMOTE ADHESION TO POTTING MATERIAL.
- ② GATE BREAK-OFF.
- ③ MOLDED GLASS FILLED EPOXY. COLOR: BLACK.
- ④ BRASS PER QQ-B-626.
- ⑤ FINISH: .000100 MIN. THK. TIN-PLATE, PER MIL-T-10727.

DO NOT SCALE PRINT. UNLESS SPECIFIED DIMENSIONS IN INCHES [mm]
 TOLERANCES ON:
 2 PLC DEC ± .01 [0.25]
 3 PLC DEC ± .005 [0.13]
 ANGLES ± -

MATERIAL: SEE CALLOUTS
 FINISH: SEE CALLOUTS

DR	W.LEUFERT	6-14-90
CHK	D.EABY	7-19-90
APPD	D.EABY	7-19-90
APPD	D.EABY	7-19-90
PRODUCT SPEC	-	
APPLICATION SPEC	-	
WEIGHT	-	

AS SHOWN	447305-1
NOTE	PART NO.
AMP AMP INCORPORATED Harrisburg, Pa. 17105	
NAME ASSEMBLY, MODIFIED EYELET RECEPTACLE, LGH	
SIZE C	CAGE CODE 00779
SCALE 4:1	DRAWING NO 447305
	SHEET 1 of 1