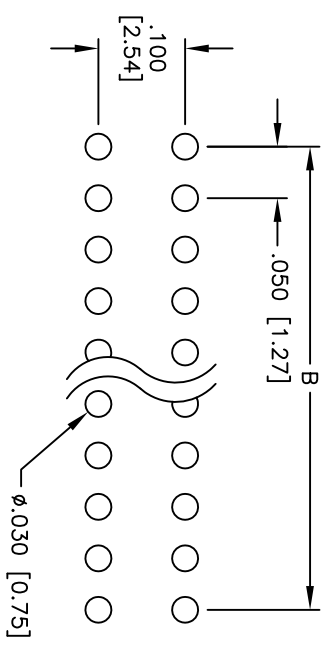
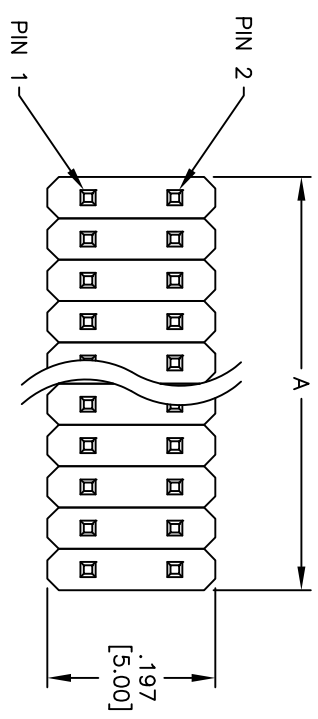
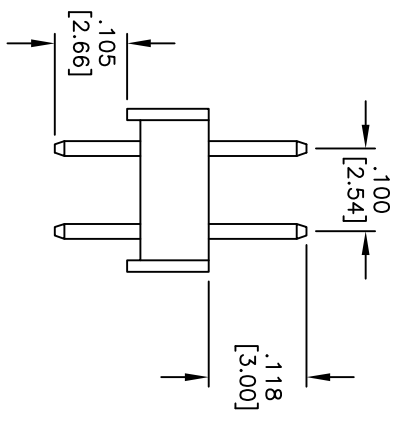
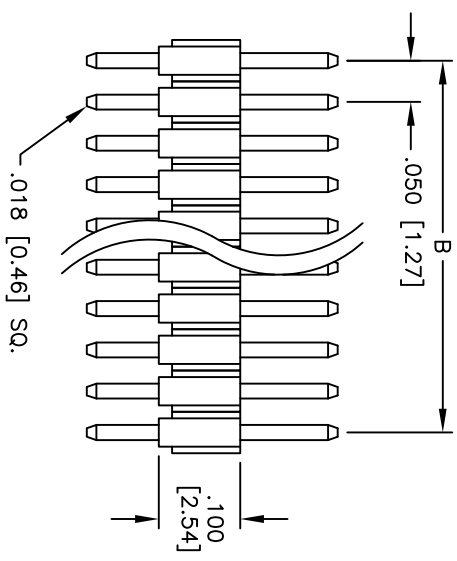


Rev	AWO #	Description	Date	Appr
-		RELEASED	1/7/05	

APPROVED: _____
 DATE: _____ TITLE: _____



RECOMMENDED PCB LAYOUT



SPECIFICATIONS:
 Material: Insulator: Hi-temp thermoplastic, rated UL 94V-0
 Insulator color: Black
 Contacts: Brass
 Plating: Gold flash over Nickel underplate overall
 Electrical: Current rating: 1 Amp max.
 Contact resistance: 20 mohms max. initial
 Insulation resistance: 5,000 Mohms min.
 Dielectric withstanding voltage: 500 VAC for 1 minute
 Temperature Rating: Operating temperature: -40°C to +105°C
 Environmental: Lead free, RoHS compliant

Positions: 04 thru 100
 A = .050 [1.27] x No. of Positions Per Row
 B = .050 [1.27] x No. of Spaces

UNLESS OTHERWISE SPECIFIED
 ALL DIMENSIONS ARE INCHES [MM]
 TOLERANCES: EXCEPT AS NOTED
 INCHES Holes ±.10 ±.015
 .XX ±.020 ØXXX ±.015
 .XXX ±.015 ØXXX ±.010

ADAM TECH
 909 Railway Avenue, Union, NJ 07083
 Phone: 908-687-5000 Fax: 908-687-5710

Environmental: Lead free, RoHS compliant

DRAWN		SS	1/7/05	TITLE		.050 [1.27] DUAL ROW PIN HEADER	
CHECKED				SIZE	PART NO.	HPH2-B-XX-UA	REV.
APPROVED				X			
APPROVALS			DATE	REF:	SCALE:	NTS	SHEET 1 OF 1