

# MICRO SWITCH

FREEPORT ILLINOIS, U.S.A.  
A DIVISION OF HONEYWELL INC.  
FED. MFG. CODE 91029

## SWITCH - BASIC

CATALOG LISTING

V3-3059

CK-X3565

V3-3059

M

DRAWING NUMBER

2

ISSUE

REPLACES

RELEASE NO. PR-15040

CHECK

REVISIONS

A	C074212
D H D	20 JAN 93

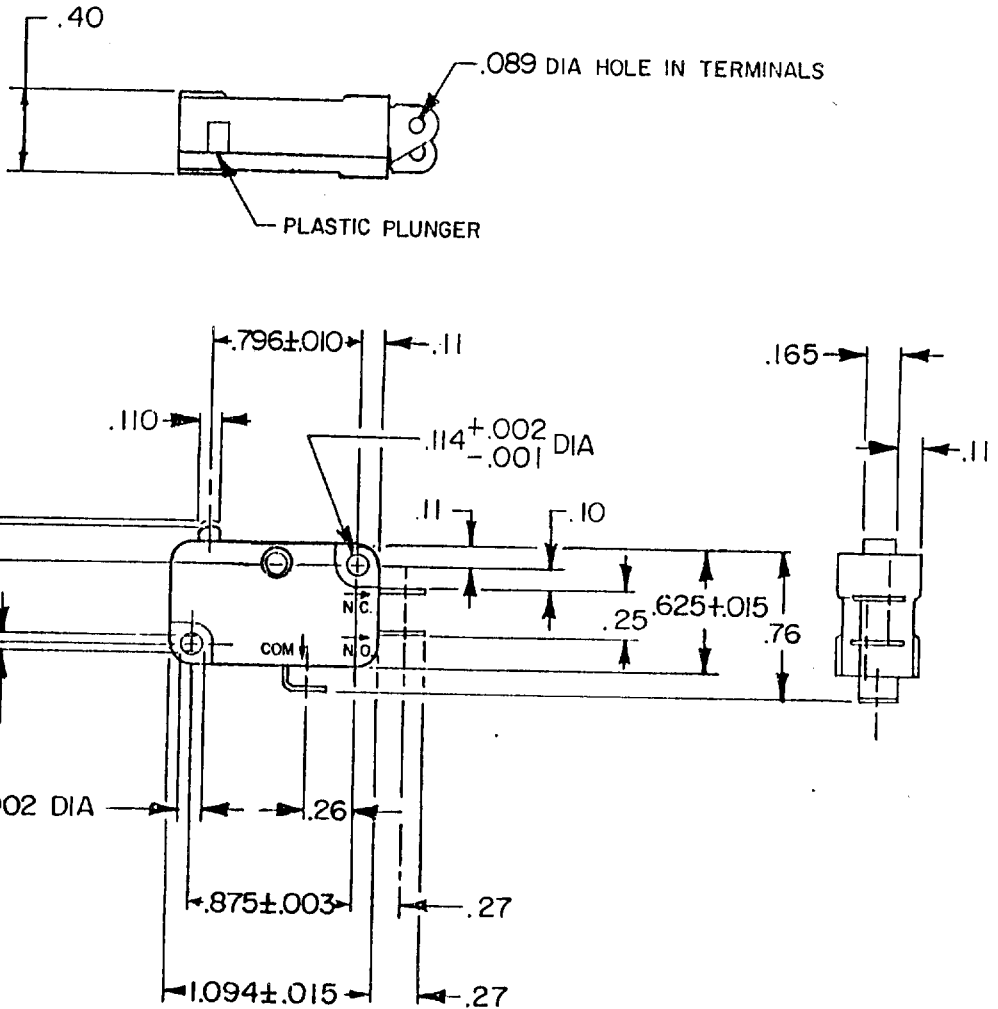
CHECK

FO-5284R-B

DRAWN

TAD 18 SEP 86

CHECK

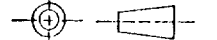


NOTE

1 TERMINALS ARE PLATED FOR SOLDERING

THIS DRAWING COVERS A PROPRIETARY ITEM AND IS THE PROPERTY OF MICRO SWITCH, A DIVISION OF HONEYWELL. THIS DRAWING IS NOT TO BE COPIED OR USED WITHOUT THE APPROVAL OF MICRO SWITCH.

THIRD ANGLE PROJECTION



CHARACTERISTICS

OPERATING FORCE	--- 150 GRAM MAX
RELEASE FORCE	---- 15 GRAM MIN
DIFFERENTIAL TRAVEL	----- .002-.010
OVERTRAVEL	----- .050 MIN
FREE POSITION	----- .625 MAX
RELEASE TRAVEL	----- .010 MIN

ELECTRICAL DATA

CONTACT ARRANGEMENT

S P D T

L83  
15.1A 1/2HP 125 OR 250 VAC  
1/2A 125 VDC, 1/4A 250 VDC  
5A 125 VAC "L"



SCALE FULL DO NOT SCALE PRINT

UNLESS OTHERWISE SPECIFIED TOLERANCES ARE

ONE PLACE	(.0)	±.030
TWO PLACE	(.00)	±.015
THREE PLACE	(.000)	±.005

ANGLES ±  
RAW MATERIAL - COMMERCIAL STANDARD

DIMENSIONS ARE IN INCHES AND ARE TO BE MET BEFORE PROTECTIVE COATINGS ARE APPLIED

MICRO SWITCH STANDARDS APPLY

WEIGHT .016 LB