

1 Products affected

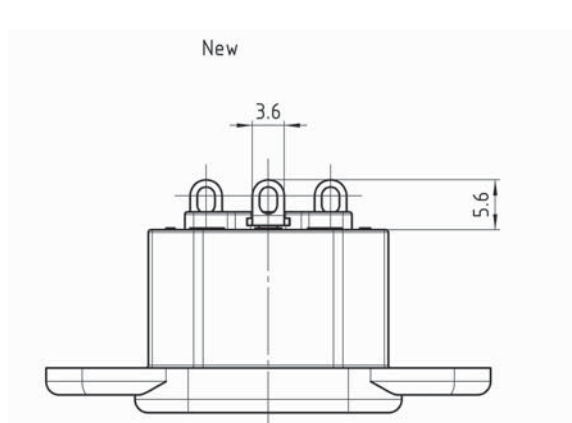
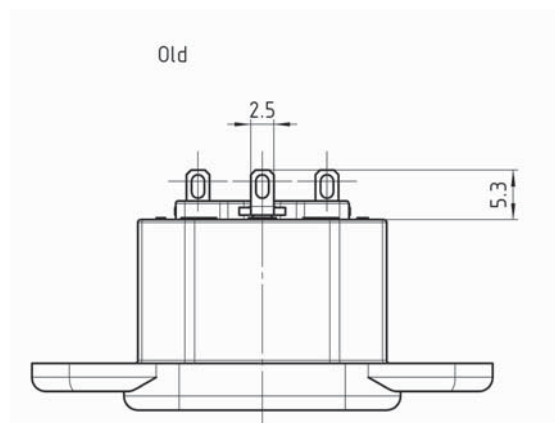
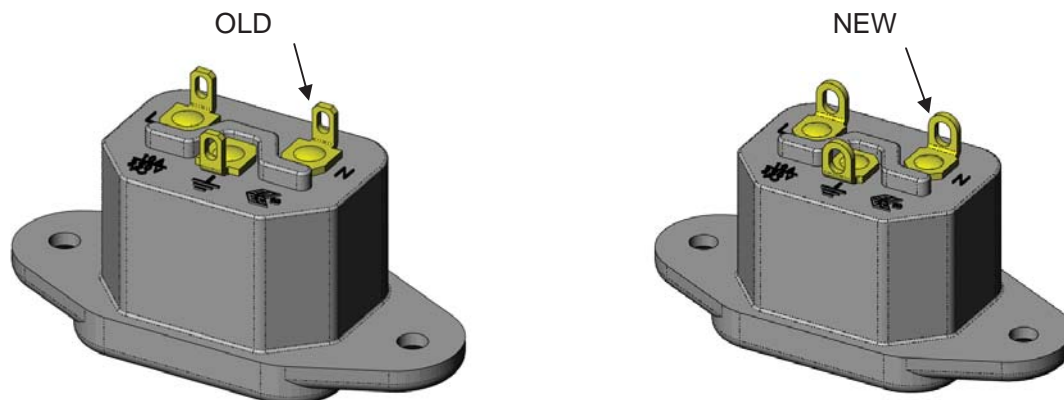
Product hierarchy no. *				Part no.	SBU	Type / Description	Customer part no.
SBU	PG	PGU	Type				
02	007	002	0000002326	6162.0045	Connectors	6061 Appliance Inlet	
02	007	002	0000002326	6162.0046	Connectors	6061 Appliance Inlet	
02	007	002	0000002326	6162.0047	Connectors	6061 Appliance Inlet	
02	007	002	0000002326	6162.0048	Connectors	6061 Appliance Inlet	
02	007	002	0000002326	6162.0136	Connectors	6061 Appliance Inlet	
02	007	002	0000002326	6162.0157	Connectors	6061 Appliance Inlet	

*SBU (2-digit) / PG (3-digit) / PGU (3-digit) / Type (10-digit)

2 Type of change

Solder terminal short 5.3x2.5 (0701.0414) change to solder terminal short 5.6x3.6 (0701.0112)

3 Detailed description of change



6061 Appliance inlet					0118.2072	
Creation date:	Created by:	Release date:	Released by:	Notification No.	Index	Page
04.08.2011 11:38:56	hoa	15.05.2012	hoa	21996	a	1 von 2

4 Reason of change

Use of standard solder terminals

5 Released date

Release for series production

35 / 2011

6 Impact of change and recommended action

Form: Yes, new solder terminals
Fit: N/A
Function: N/A
Production Site: N/A
Product label: N/A

7 Reference Documents / Attachments

Kind of document	Document number	Remarks
Technical drawing	0100.3124	Appliance inlet
Technical drawing	0100.3127	Appliance inlet
Technical drawing	0100.3128	Appliance inlet
Technical drawing	0100.6426	Appliance inlet

6061 Appliance inlet					0118.2072	
Creation date:	Created by:	Release date:	Released by:	Notification No.	Index	Page
04.08.2011 11:38:56	hoa	15.05.2012	hoa	21996	a	2 von 2