

## Surge protection device - CN-UB-280DC-3-BB - 2801050

Please be informed that the data shown in this PDF Document is generated from our Online Catalog. Please find the complete data in the user's documentation. Our General Terms of Use for Downloads are valid (<http://phoenixcontact.com/download>)




Attachment plug with replaceable surge protection for coaxial signal interfaces. Connection: N connector socket/socket

### Why buy this product

- For outdoor installations
- Mounting plate enables mounting, e.g., in a control cabinet
- Replaceable, gas-filled arrester
- Installed as surge protection between antenna and wireless module

### Key Commercial Data

Packing unit	1 STK
GTIN	 4 046356 675727
GTIN	4046356675727

### Technical data

#### Dimensions

Height	33.5 mm
Width	31 mm
Length	57.8 mm

#### Ambient conditions

Ambient temperature (operation)	-40 °C ... 80 °C
Altitude	2000 m
Degree of protection	IP55
	IP55

#### General

Housing material	HPb59-1
Color	nickel

# Surge protection device - CN-UB-280DC-3-BB - 2801050

## Technical data

### General

Standards for clearances and creepage distances	IEC 60664-1
Mounting type	Connection-specific intermediate plugging
Type	Attachment plug
Number of positions	1
Direction of action	Line-Shield/Earth Ground

### Protective circuit

IEC test classification	C2
	C3
	D1
Maximum continuous voltage $U_c$	280 V DC
Maximum continuous voltage $U_c$ (line-earth)	280 V DC
Rated current	5 A (25 °C)
Operating effective current $I_c$ at $U_c$	$\leq 1 \mu\text{A}$
Nominal discharge current $I_n$ (8/20) $\mu\text{s}$	20 kA
Nominal discharge current $I_n$ (8/20) $\mu\text{s}$ (line-earth)	20 kA
Nominal discharge current $I_n$ (8/20) $\mu\text{s}$ (line-shield)	20 kA
Total surge current (10/350) $\mu\text{s}$	2.5 kA
Total discharge current $I_{total}$ (8/20) $\mu\text{s}$	20 kA
Max. discharge current $I_{max}$ (8/20) $\mu\text{s}$	20 kA
Max. discharge current $I_{max}$ (8/20) $\mu\text{s}$ maximum (line-earth)	20 kA
Max. discharge current $I_{max}$ (8/20) $\mu\text{s}$ maximum (line-shield)	20 kA
Nominal pulse current $I_{an}$ (10/1000) $\mu\text{s}$ (Core-Shield)	100 A
Impulse discharge current (10/350) $\mu\text{s}$ , peak value $I_{imp}$	2.5 kA
Output voltage limitation at 1 kV/ $\mu\text{s}$ (line-earth) spike	$\leq 900 \text{ V}$
Output voltage limitation at 1 kV/ $\mu\text{s}$ (line-shield) spike	$\leq 900 \text{ V}$
Voltage protection level $U_p$ (line-earth)	$\leq 1.1 \text{ kV}$ (C2 - 10 kV / 5 kA)
	$\leq 900 \text{ V}$ (C1 - 1 kV/500 A)
Voltage protection level $U_p$ (line-shield)	$\leq 900 \text{ V}$ (C1 - 1 kV/500 A)
	$\leq 1.1 \text{ kV}$ (C2 - 10 kV / 5 kA)
Response time $t_A$ (line-earth)	$\leq 100 \text{ ns}$
Response time $t_A$ (line-shield)	$\leq 100 \text{ ns}$
Input attenuation aE, asym.	typ. 0.1 dB ( $\leq 3 \text{ GHz}$ )
Cut-off frequency $f_g$ (3 dB), asym. (shield) in 50 Ohm system	$> 3 \text{ GHz}$
Frequency range	0 Hz ... 3 GHz
Standing wave ratio SWR in a 50 $\Omega$ system	typ. 1.15 ( $\leq 3 \text{ GHz}$ )
	max. 1.2
Permissible HF power $P_{max}$ at VSWR = xx (50 ohm system)	700 W (VSWR = 1.1)
	200 W (VSWR = $\infty$ )
Capacity (line-earth)	typ. 1.5 pF

# Surge protection device - CN-UB-280DC-3-BB - 2801050

## Technical data

### Protective circuit

Capacity asymmetrical (shield)	typ. 1.5 pF
Surge protection fault message	none
Impulse durability (line-earth)	C2 - 10 kV/5 kA
	C3 - 100 A
	D1 - 2.5 kA

### Connection data

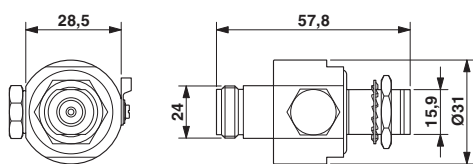
Connection method	N connector 50 Ω
Connection method IN	N connector, female
Connection method OUT	N connector, female

### Standards and Regulations

Standards/specifications	IEC 61643-21/A1 2008
	EN 61643-21/A1 2009

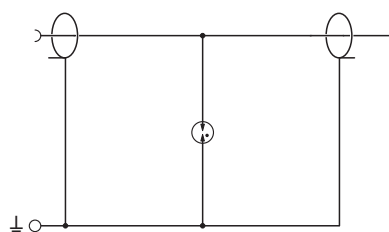
## Drawings

Dimensional drawing



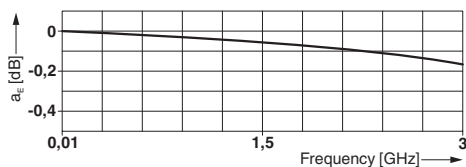
Dimensional drawing  
CN-UB-280DC-3-BB

Circuit diagram

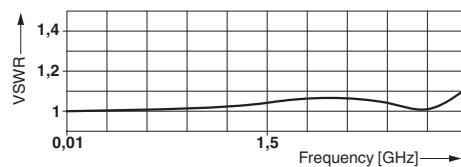


Circuit diagram

Diagram

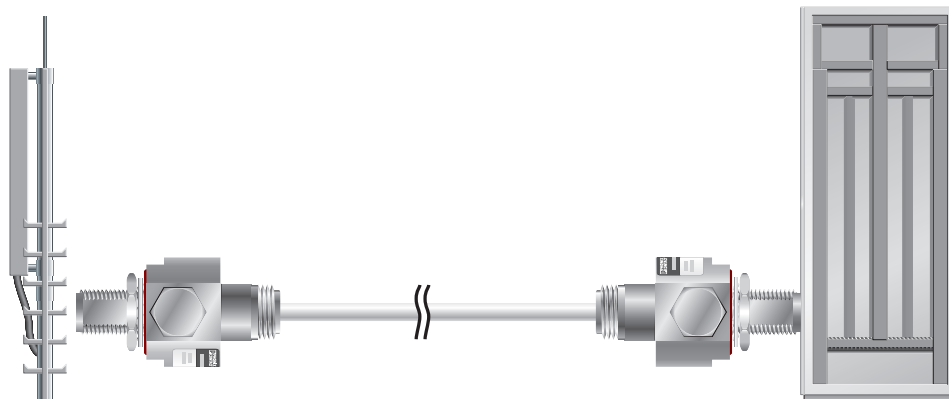


Diagram



# Surge protection device - CN-UB-280DC-3-BB - 2801050

Application drawing



## Approvals

Approvals

---

Approvals

EAC

---

Ex Approvals

---

## Approval details

EAC		RU C- DE.A*30.B01561
-----	--	-------------------------

Phoenix Contact 2018 © - all rights reserved  
<http://www.phoenixcontact.com>

PHOENIX CONTACT GmbH & Co. KG  
Flachsmarktstr. 8  
32825 Blomberg  
Germany  
Tel. +49 5235 300  
Fax +49 5235 3 41200  
<http://www.phoenixcontact.com>