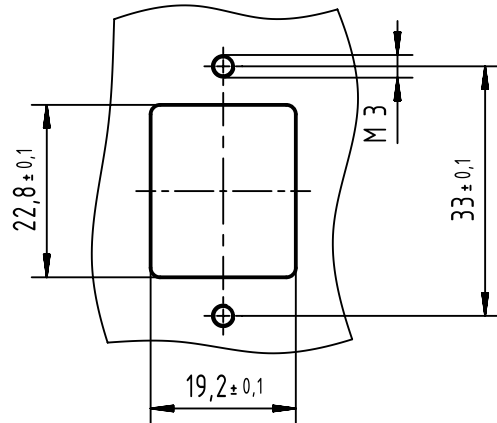
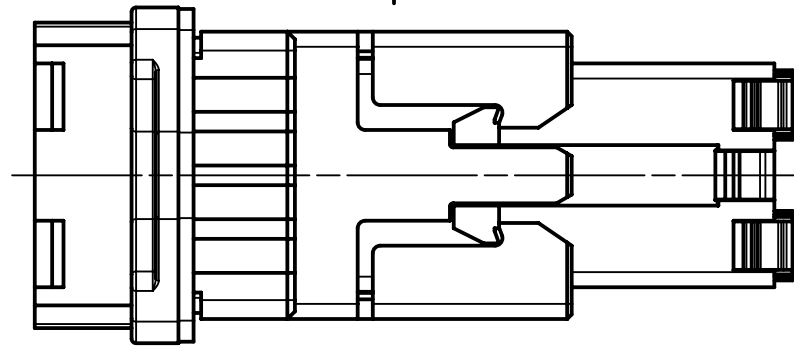
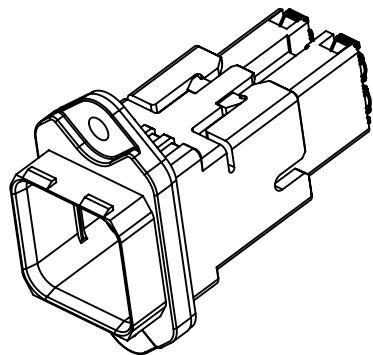


(1:1)

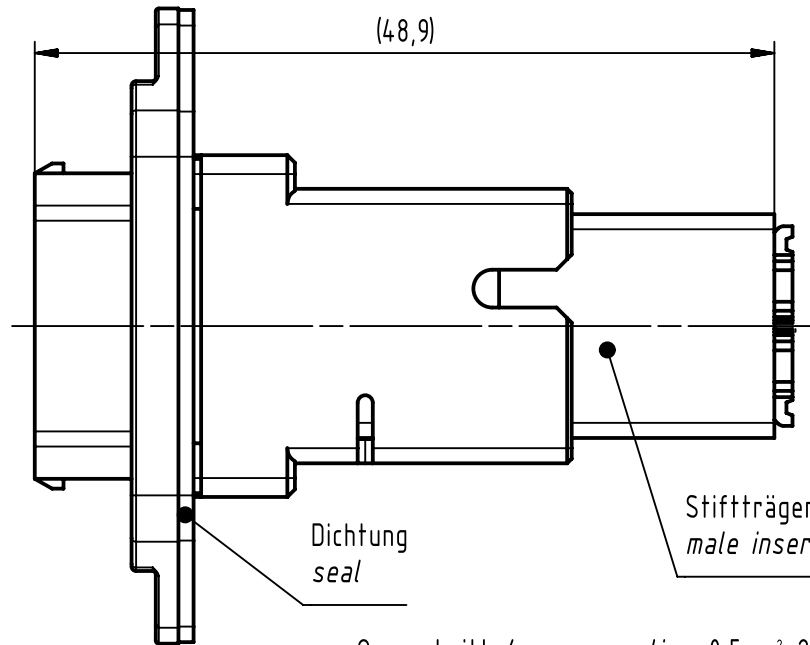
Montageausschnitt
panel cut out



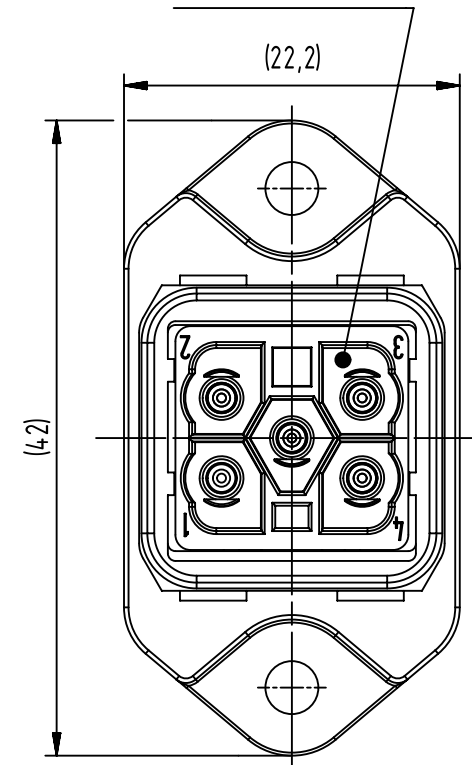
Wandstärke: 1mm bis 6mm
thickness panel: 1mm to 6mm



Steckgesicht nach
IEC 61076-03-118
mating face acc. to
IEC 61076-3-118



Querschnitt / cross section: 0,5mm²-2,5mm²



	All Dimensions in mm Original Size DIN A4	Scale	Free size tol.		Ref.	
		2:1			Sub. TB 09352320331 500000058722 2013-02-06	
	All rights reserved Department EC PD - DE	Created by	Inspected by	Standardisation	Date	State
		ELLERMANN	DAHMS	HOFFMANN	2013-06-12	Final Release
HARTING Electronics GmbH D-32339 Espelkamp		Title				Doc-Key / ECM-Nr. 100225104 / UGD/002/C 500000062511
		Han PP Power PFT plastic QL AWG20-14				
		Type	Number		Rev.	Page
		TB	09352320331		C	1/1