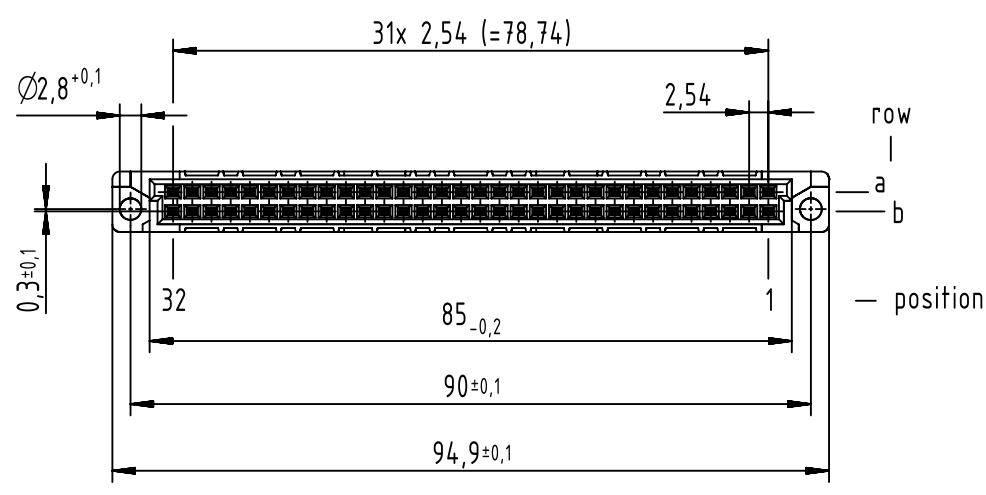
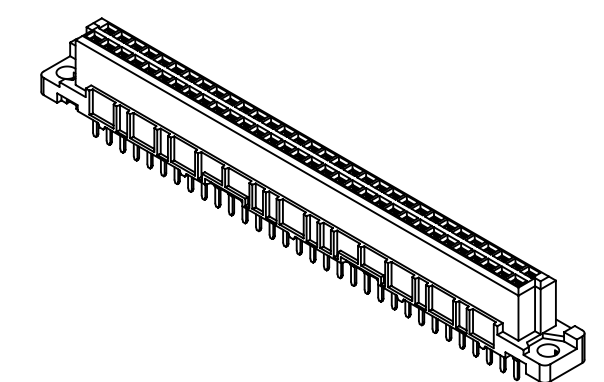
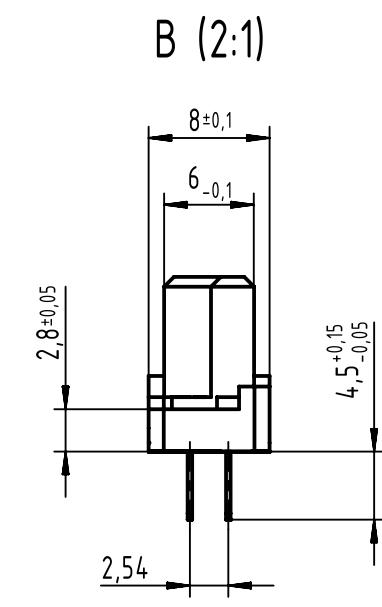
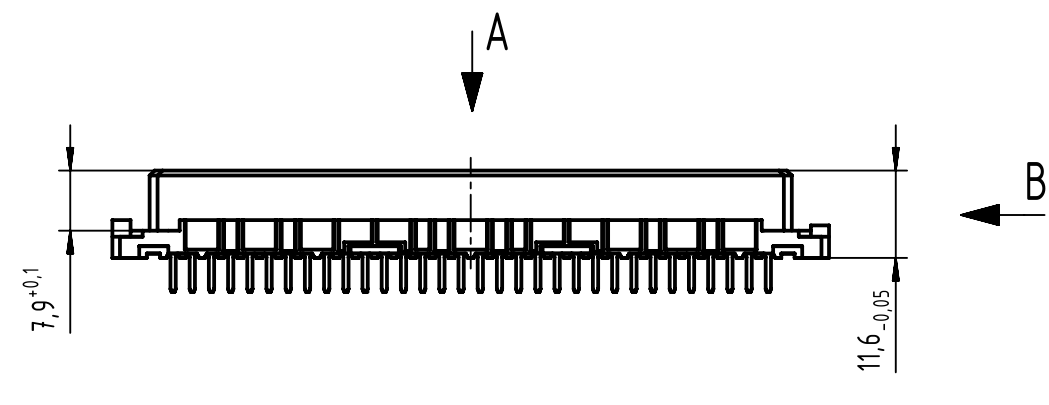


64 solder contacts
 ☒ = position with contact
 □ = position without contact



1 further information see: DS 09032130203

09 02 264 6829	2
part no.	performance level 1

All rights reserved Department EL PD HARTING Electronics GmbH D-32339 Espelkamp	All Dimensions in mm Original Size DIN A3	Scale 1:1 Free size tol. IEC 60603-2	Ref. Sub. TB 09 02 264 x829 / 36468 / 06.01.2012
	Created by HAGEMEYERE Inspected by LEHNERT Standardisation HOFFMANN Date 2015-06-24 State Final Release	Title DIN Signal type B female solder 4.5 64-pole, CTI>400 Type TB Number 0902264X829	