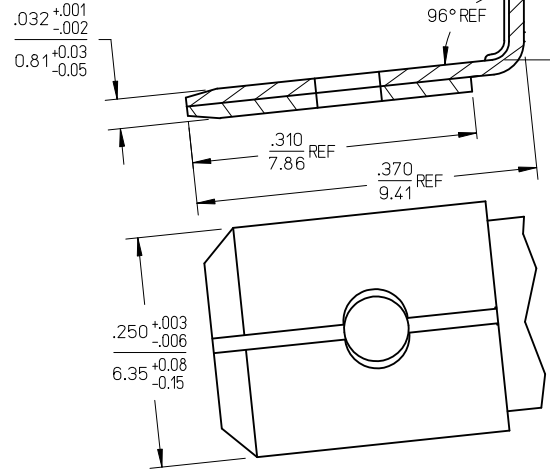
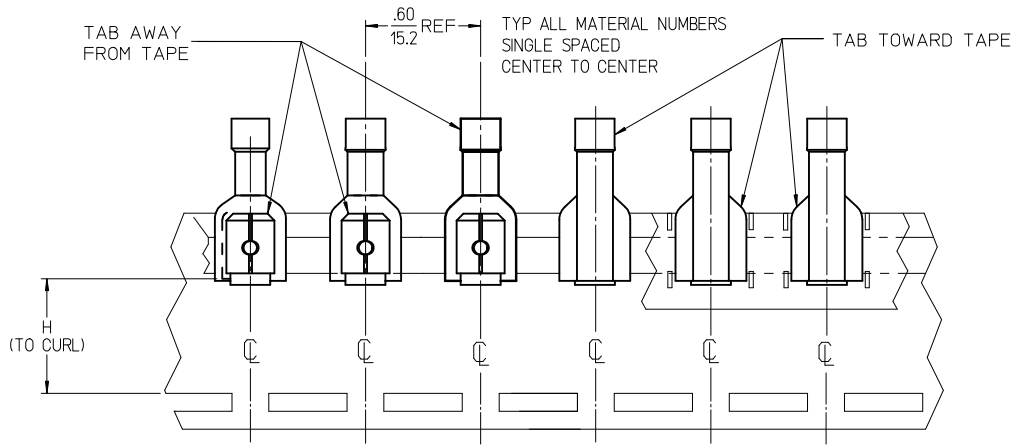
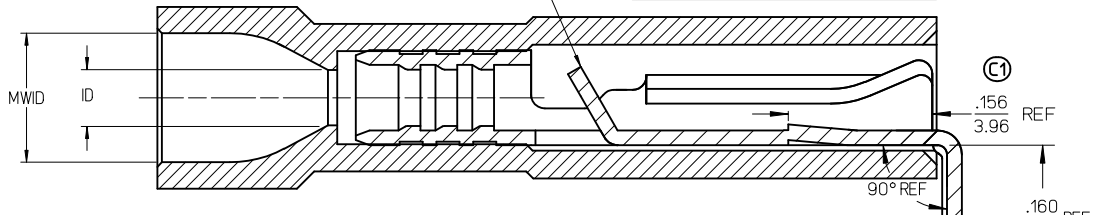
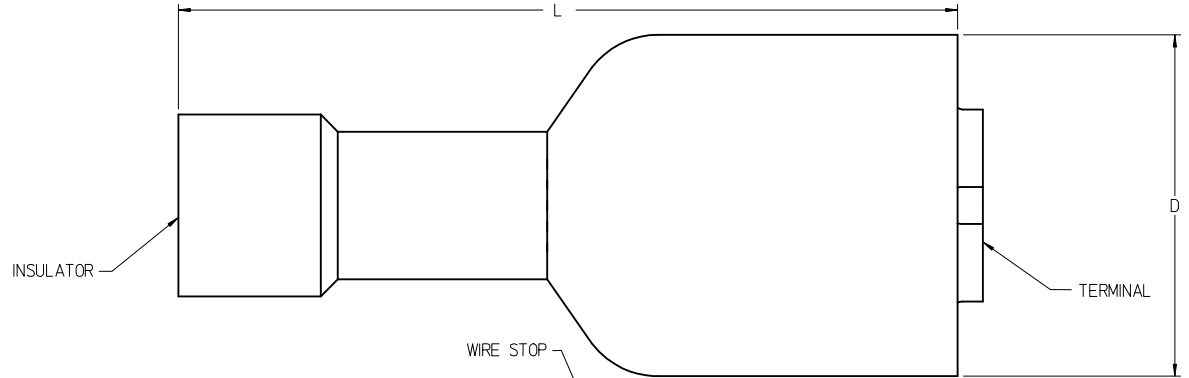


MATERIAL NO.	ENGINEERING NO.	MATERIAL NO.	ENGINEERING NO.	WIRE SIZE	INSULATOR COLOR	ID MIN REF	MWID	D MAX	L MAX	H NOMINAL	BARE TAB POSITION
190130025	AA-2317	190130026	AA-2317T	22-18 AWG	RED	.056/1.42	.138/3.50	.380/9.65	.860/21.84	.54/13.7	AWAY FROM TAPE
190130029	BB-2318	190130030	BB-2318T	16-14 AWG	BLUE	.081/2.06	.159/4.04	.380/9.65	.860/21.84	.54/13.7	AWAY FROM TAPE
190130033	C-2319	190130034	C-2319T	12-10 AWG	YELLOW	.147/3.73	.277/7.03	.380/9.65	1.030/26.162	.57/14.4	TOWARD TAPE

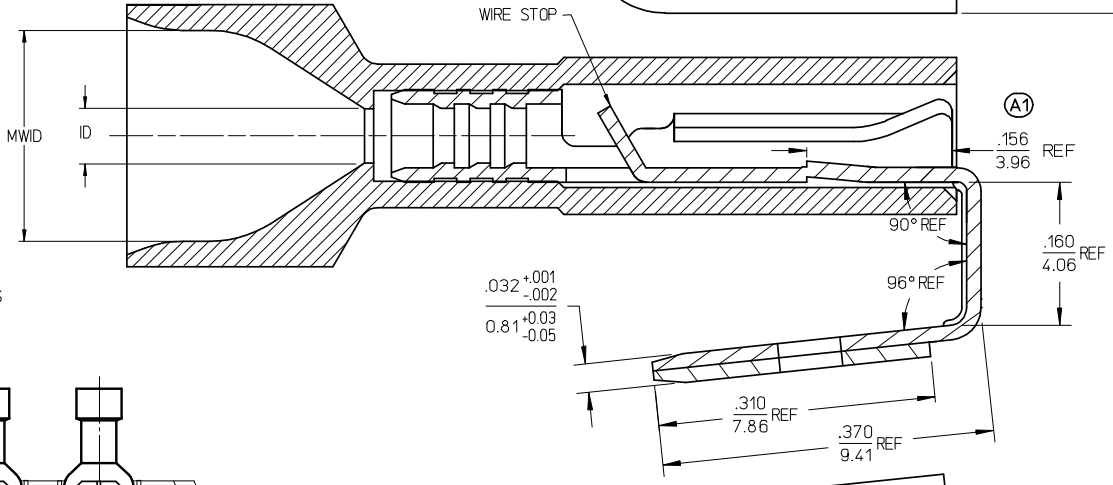
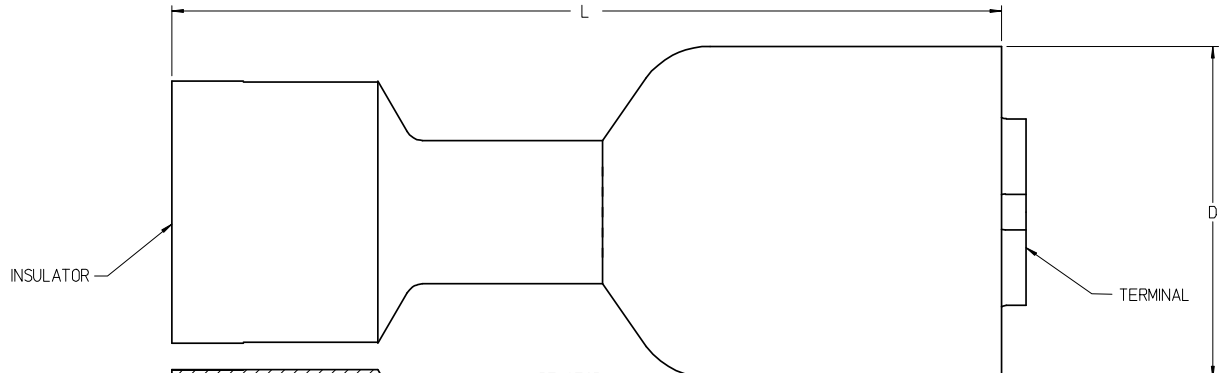


PARTS ON TAPE (SCALE 2:1)

- NOTES:
1. TERMINAL MATERIAL: BRASS
 2. TERMINAL FINISH: TIN PLATED
 3. INSULATOR MATERIAL: NYLON
 4. MWID = MAXIMUM WIRE INSULATION DIAMETER.
 5. ASSEMBLY IS ROHS COMPLIANT.

ADD TAPE DIAGRAM EC NO: MNA2008-0032 DRW: WETHRODAHL 2008/02/14 CHKD: JMACNEIL 2008/03/11 APPR: JMACNEIL 2008/03/11	QUALITY SYMBOLS ▽=0 ▽=0	GENERAL TOLERANCES (UNLESS SPECIFIED) <table border="1"> <thead> <tr> <th></th> <th>mm</th> <th>INCH</th> </tr> </thead> <tbody> <tr> <td>4 PLACES</td> <td>± ---</td> <td>± ---</td> </tr> <tr> <td>3 PLACES</td> <td>± ---</td> <td>± ---</td> </tr> <tr> <td>2 PLACES</td> <td>± ---</td> <td>± ---</td> </tr> <tr> <td>1 PLACE</td> <td>± ---</td> <td>± ---</td> </tr> </tbody> </table>		mm	INCH	4 PLACES	± ---	± ---	3 PLACES	± ---	± ---	2 PLACES	± ---	± ---	1 PLACE	± ---	± ---	DIMENSION STYLE IN/MM	SCALE 10:1	DESIGN UNITS INCH	THIRD ANGLE PROJECTION
		mm	INCH																		
	4 PLACES	± ---	± ---																		
	3 PLACES	± ---	± ---																		
2 PLACES	± ---	± ---																			
1 PLACE	± ---	± ---																			
DRAFT WHERE APPLICABLE MUST REMAIN WITHIN DIMENSIONS	MATERIAL NO. SEE CHART	DRAWN BY BRE	DATE 2003/03/19	TITLE PIGGYBACK FIQD, .250 X .032 TAB, INSULKRIMP	MOLEX INCORPORATED	SHEET NO. 1 OF 1															
REV C1	DESCRIPTION SD-19013-001	CHECKED BY HEB	DATE 2003/03/19	APPROVED BY RWD	DATE 2003/03/19	DOCUMENT NO. SD-19013-001															
THIS DRAWING CONTAINS INFORMATION THAT IS PROPRIETARY TO MOLEX INCORPORATED AND SHOULD NOT BE USED WITHOUT WRITTEN PERMISSION																					

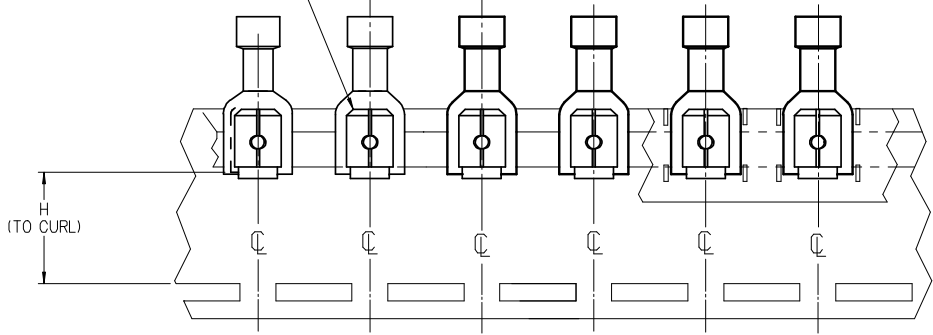
MATERIAL NO. LOOSE PC	ENGINEERING NO. LOOSE PC	MATERIAL NO. ON TAPE	ENGINEERING NO. ON TAPE	WIRE SIZE	INSULATOR COLOR	ID MIN REF	MWID	D MAX	L MAX	H NOMINAL
190130027	AA-2317X	190130028	AA-2317XT	22-18 AWG	RED	.056/1.42	.229/5.82	.380/9.65	.940/23.88	.54/13.7
190130031	BB-2318X	190130032	BB-2318XT	16-14 AWG	BLUE	.081/2.06	.259/6.58	.380/9.65	.940/23.88	.54/13.7



TYP ALL MATERIAL NUMBERS
SINGLE SPACED
CENTER TO CENTER

TAB AWAY FROM TAPE

.60 REF
15.2



PARTS ON TAPE (SCALE 2:1)

NOTES:

1. TERMINAL MATERIAL: BRASS
2. TERMINAL FINISH: TIN PLATED
3. INSULATOR MATERIAL: NYLON
4. MWD = MAXIMUM WIRE INSULATION DIAMETER.
5. ASSEMBLY IS ROHS COMPLIANT.

ADD TAPE DIAGRAM EC NO: WNA 2008-0032 DRAWN: THRODAHL 2008/02/14 CHKD: JMACNEIL 2008/03/11 APPR: JMACNEIL 2008/03/11	QUALITY SYMBOLS ▽=0 ▽=0	GENERAL TOLERANCES (UNLESS SPECIFIED)		DIMENSION STYLE IN/MM	SCALE 10:1	DESIGN UNITS INCH	THIRD ANGLE PROJECTION		
		4 PLACES ±--- ±---	3 PLACES ±--- ±---	2 PLACES ±--- ±---	1 PLACE ±--- ±---	ANGULAR ±---°	DRAWN BY EHILE	DATE 2007/02/14	CHECKED BY JMACNEIL
DRAFT WHERE APPLICABLE MUST REMAIN WITHIN DIMENSIONS		SEE CHART		MATERIAL NO.	DOCUMENT NO.	MOLEX INCORPORATED			
REV A1		SIZE C		THIS DRAWING CONTAINS INFORMATION THAT IS PROPRIETARY TO MOLEX INCORPORATED AND SHOULD NOT BE USED WITHOUT WRITTEN PERMISSION		SHEET NO. 1 OF 1			