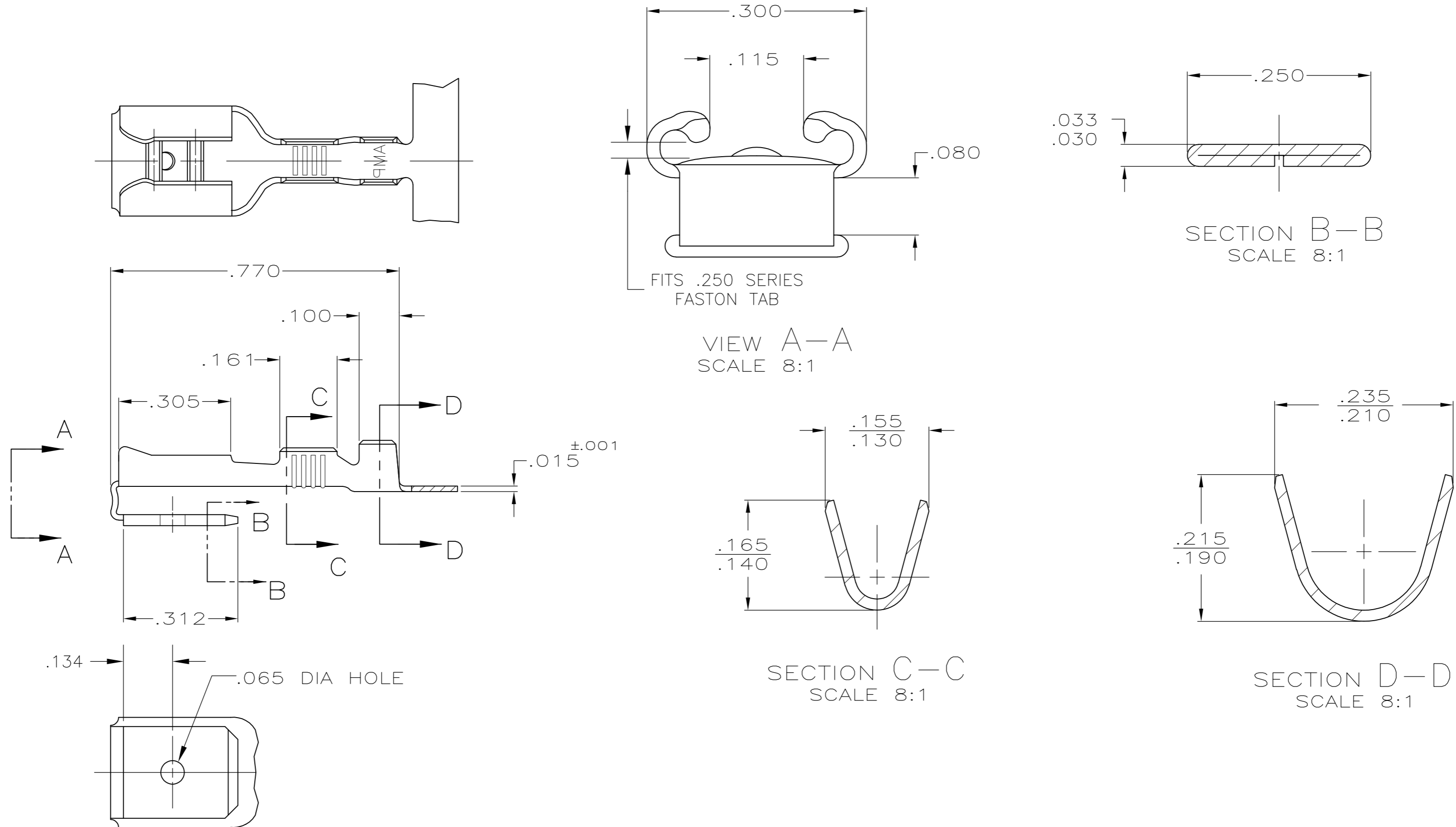


THIS DRAWING IS UNPUBLISHED. RELEASED FOR PUBLICATION
 © COPYRIGHT - By - ALL RIGHTS RESERVED.

| LOC | | DIST | | REVISIONS | | | |
|-----|-----|-------------|--|---------------------------|-----------|------|----|
| P | LTR | DESCRIPTION | | DATE | DWN | APVD | |
| AF | 50 | F | | REVISED PER ECR-12-013459 | 27NOV2012 | KH | PD |



FITS .250 SERIES FASTON TAB

SECTION B-B
SCALE 8:1

VIEW A-A
SCALE 8:1

SECTION C-C
SCALE 8:1

SECTION D-D
SCALE 8:1

| | | | | | | |
|--------------------|-------|--------------------|-------------------|-------|--------------|------|
| F | .180 | .220 | F | .110 | .057 | 18 |
| | | | | | .063 | 16 |
| | | | | | .072 | 14 |
| TYPE | WIDTH | STRIP LENGTH ±.015 | TYPE | WIDTH | ±.002 HEIGHT | WIRE |
| INSUL BARREL CRIMP | | | WIRE BARREL CRIMP | | | |

| | | | | | |
|--------|----------|------------------|-----------|----------------------|----------|
| TIN | BRASS | .120-.170 | 18-14 | .032 | 62223-2 |
| - | BRASS | .120-.170 | 18-14 | .032 | 62223-1 |
| FINISH | MATERIAL | INSULATION RANGE | WIRE SIZE | MATING TAB THK ±.001 | PART NO. |

THIS DRAWING IS A CONTROLLED DOCUMENT.

| | | | |
|--------------------|--|---------------------------|--|
| DIMENSIONS: INCHES | TOLERANCES UNLESS OTHERWISE SPECIFIED: | DWN JR RUTH 7/12/89 | TE Connectivity RECEPTACLE, FASTON™ PIGGYBACK, .250 SERIES |
| | 0 PLC ± - | CHK MS FEHER 7/12/89 | |
| | 1 PLC ± - | APVD C MEYERS 7/12/89 | |
| | 2 PLC ± - | PRODUCT SPEC | |
| MATERIAL SEE TABLE | FINISH SEE TABLE | APPLICATION SPEC 114-2082 | RESTRICTED TO |
| | | WEIGHT - | SIZE A2 |
| | | CUSTOMER DRAWING | CAGE CODE 00779 |
| | | SCALE 4:1 | DRAWING NO C=62223 |
| | | SHEET 1 of 1 | REV F |