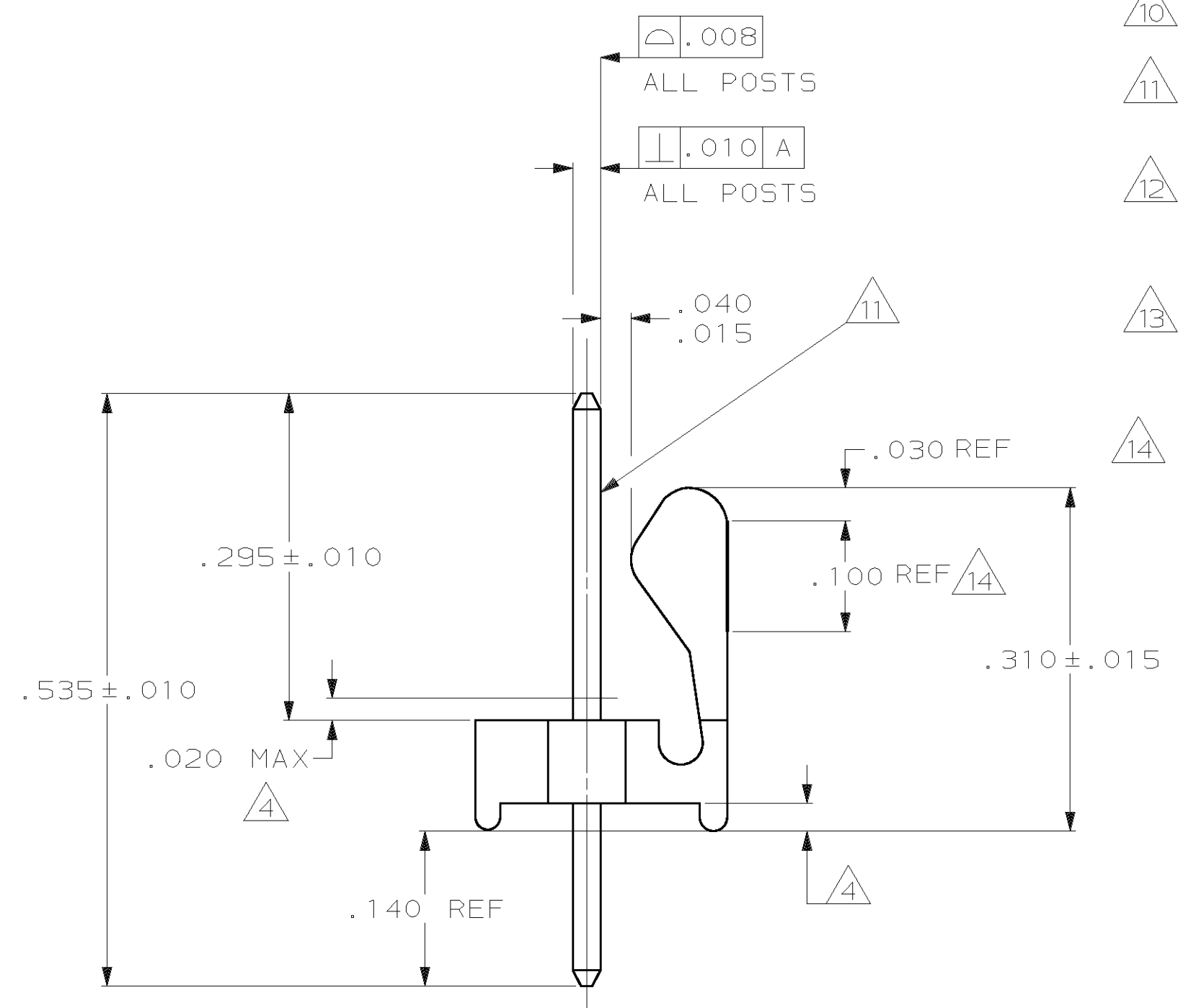
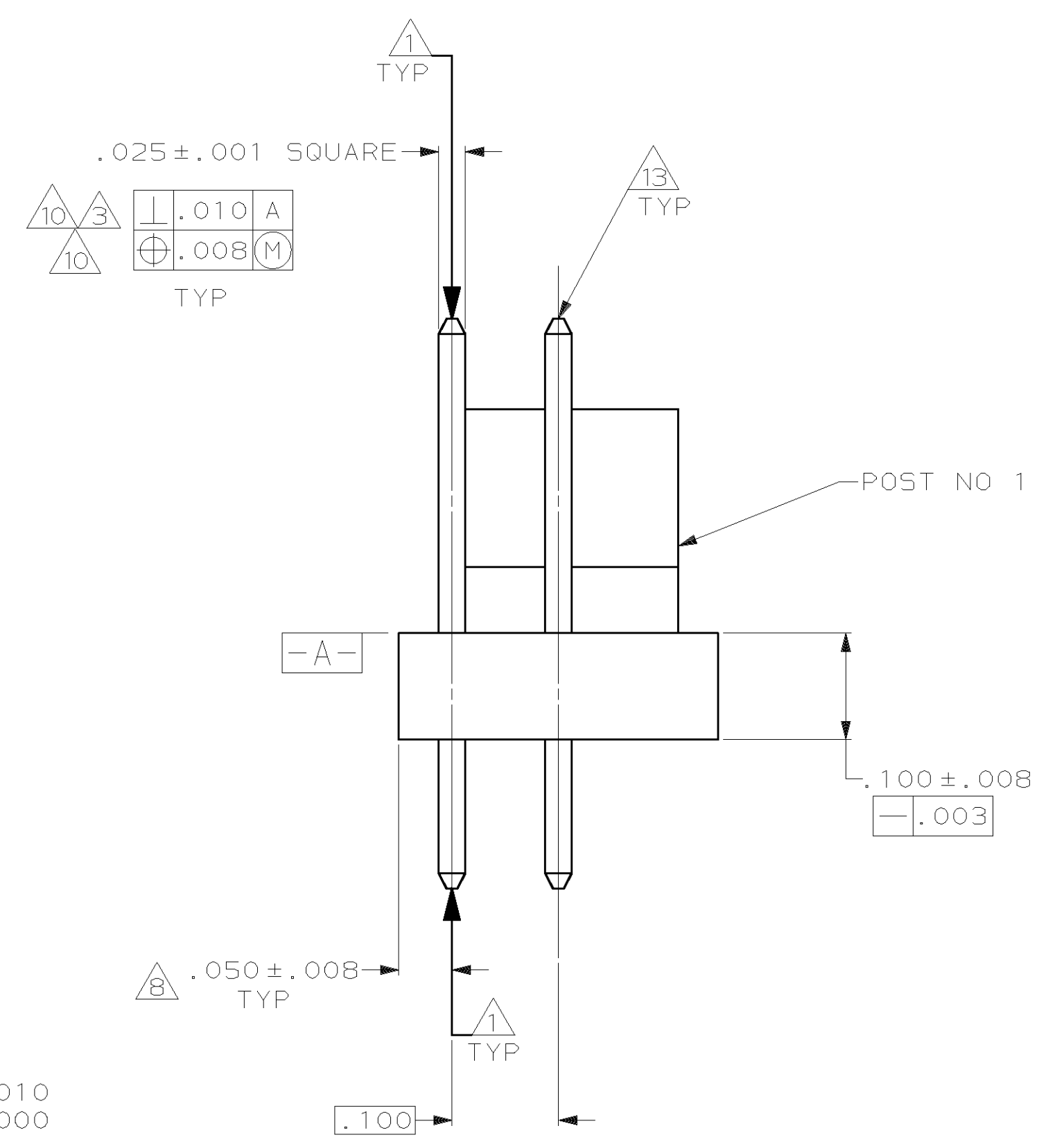
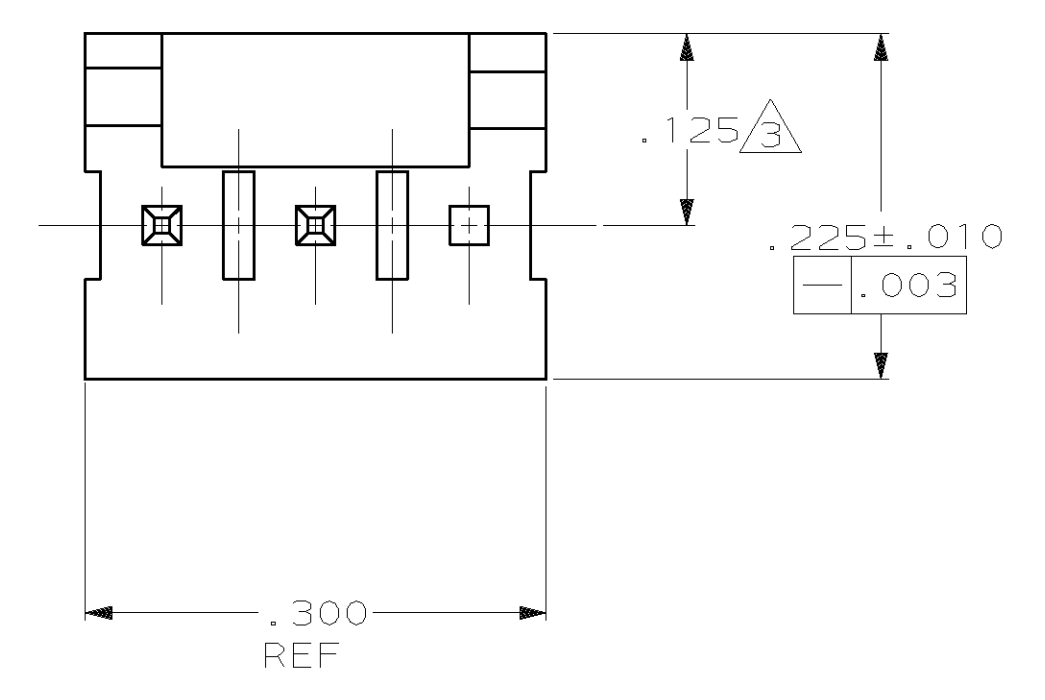
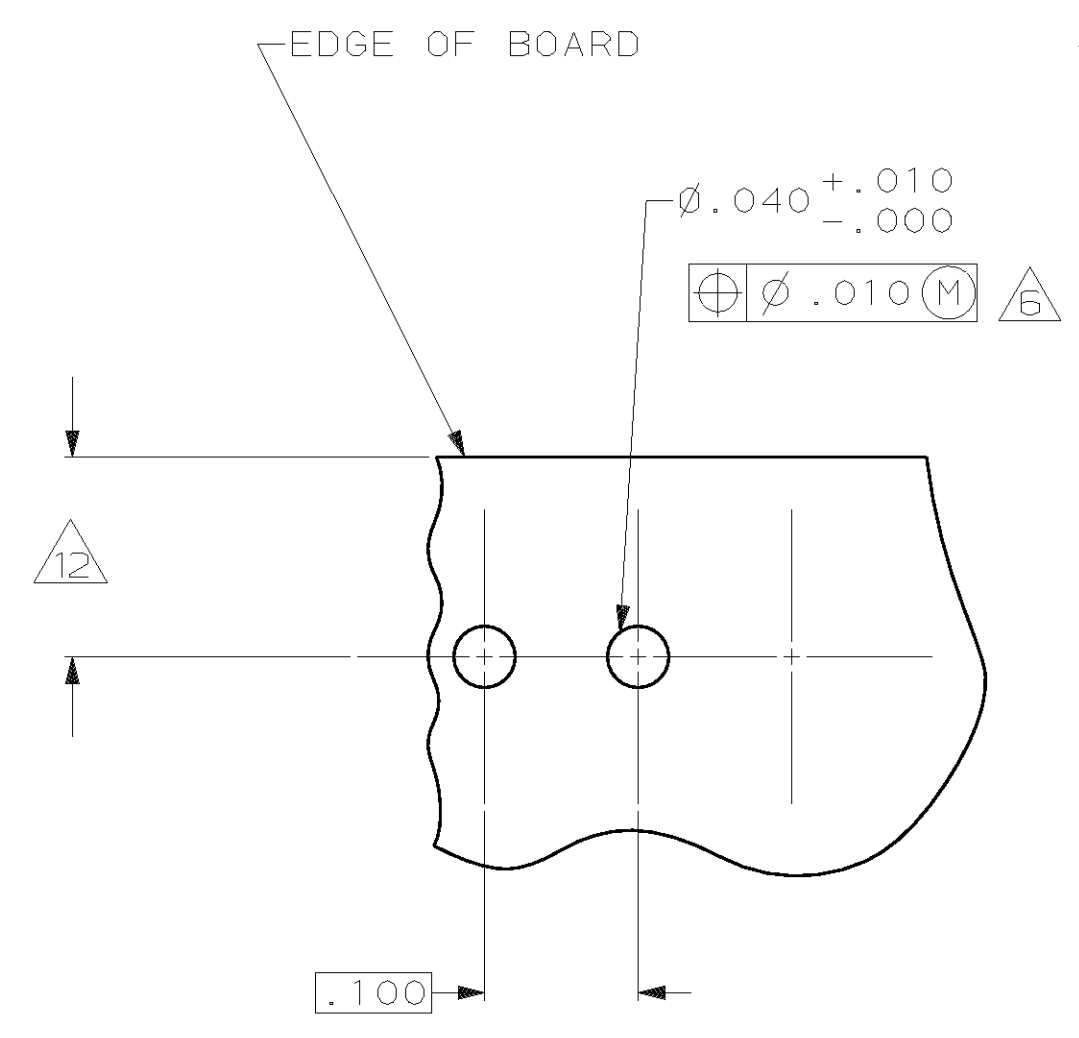


LOC	DIST	P	F	ZONE	LTR	DESCRIPTION	DATE	APPD
CM	54					B REV PER EC 061B-0221-98	02-MAR-99	JH RS



- 1 POST TO WITHSTAND 13 NEWTONS (3LBS.) MIN. AXIAL FORCE IN BOTH DIRECTIONS SHOWN WITHOUT DISLODGING.
- 2 TOLERANCES APPLY TO SOLDER SIDE OF BOARD.
- 3 MEASURED AT SURFACE -A-
- 4 PLASTIC FLASH PERMITTED IN THIS AREA.
- 5 PARTS COMPLY WITH AMP SOLDERABILITY SPEC. NO. 109-11-2.
- 6 ONE HOLE MAY BE UNDERSIZED (.035/.032 DIA.) FOR ASSEMBLY RETENTION DURING WAVE SOLDERING.
- 7 MATERIAL: HEADER-THERMOPLASTIC POLYESTER 94V-0 (NATURAL) POST-COPPER ALLOY (TIN PLATED)
- 8 COORDINATE DIMENSION APPLIES FROM CENTER OF ACTUAL FEATURE.
- 9 PLASTIC BURRS CAUSED BY CUT-OFF TOOLING ARE PERMITTED WITHIN THE MAXIMUM TOLERANCE ENVELOPE.
- 10 POST TO BE MEASURED WHEN STRIP IS HELD FLAT.
- 11 POST MUST WITHSTAND TWO 90° BENDS AGAINST EXTRUSION WITHOUT BREAKING.
- 12 DIMENSION SHOULD BE .130 MIN WHEN MATING WITH A MTA 100 CONNECTOR ASSEMBLY OR WHEN MATING WITH A CST 100 CONNECTOR.
- 13 PIN BURR OF .005 MAX VERTICAL AND .003 MAX HORIZONTAL PERMITTED AT POST TIPS ON BOTH ENDS.
- 14 COLOR STRIPE GREEN IN APPROXIMATE LOCATION SHOWN FOR 644830-1. COLOR STRIPE ORANGE IN APPROXIMATE LOCATION SHOWN FOR 644830-2.



RECOMMENDED MOUNTING HOLE PATTERN FOR .063 THICK P.C. BOARD

644830-1 SHOWN

	.050	1.27	-	-
	.040	1.02	-	-
	.035	0.89	.535	13.59
	.032	0.81	.310	7.87
	.030	0.76	.300	7.62
	.025	0.64	.295	7.49
	.020	0.51	.225	5.72
	.015	0.38	.150	3.81
	.010	0.25	.140	3.56
	.008	0.20	.130	3.30
	.005	0.13	.125	3.18
	.003	0.08	.100	2.54
	.001	0.03	.063	1.60
	IN	MM	IN	MM

CONVERSION TABLE



THIS DRAWING IS A CONTROLLED DOCUMENT FOR AMP INCORPORATED. IT IS SUBJECT TO CHANGE AND THE CONTROLLING ENGINEERING ORGANIZATION SHOULD BE CONTACTED FOR THE LATEST REVISION.

DO NOT SCALE PRINT. UNLESS SPECIFIED DIMENSIONS IN mm [INCHES] TOLERANCES ON:		DR 1-11-95 B. LEWIS		AMP Incorporated Harrisburg, PA 17105-3508	
2 PLC DEC ±		CHK 1-11-95 R. SWING			
3 PLC DEC ± .005		APPD 1-25-95 B. GENTRY		NAME MTA-100 HEADER ASSEMBLY, FRICTION LOCK, NOTCHED, .025 SQUARE STRAIGHT POST, TIN PLATED, 3 POSITION, OMITTED POST	
ANGLES ± 0°30'		APPD 1-25-95 B. GENTRY		SIZE D	
MATERIAL		PRODUCT SPEC		CAGE CODE 00779	
FINISH		APPLICATION SPEC		DRAWING NO C-644830	
WEIGHT		SCALE 8:1		SHEET 1 OF 1	