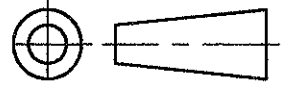


DO NOT SCALE
DIMENSIONS IN mm

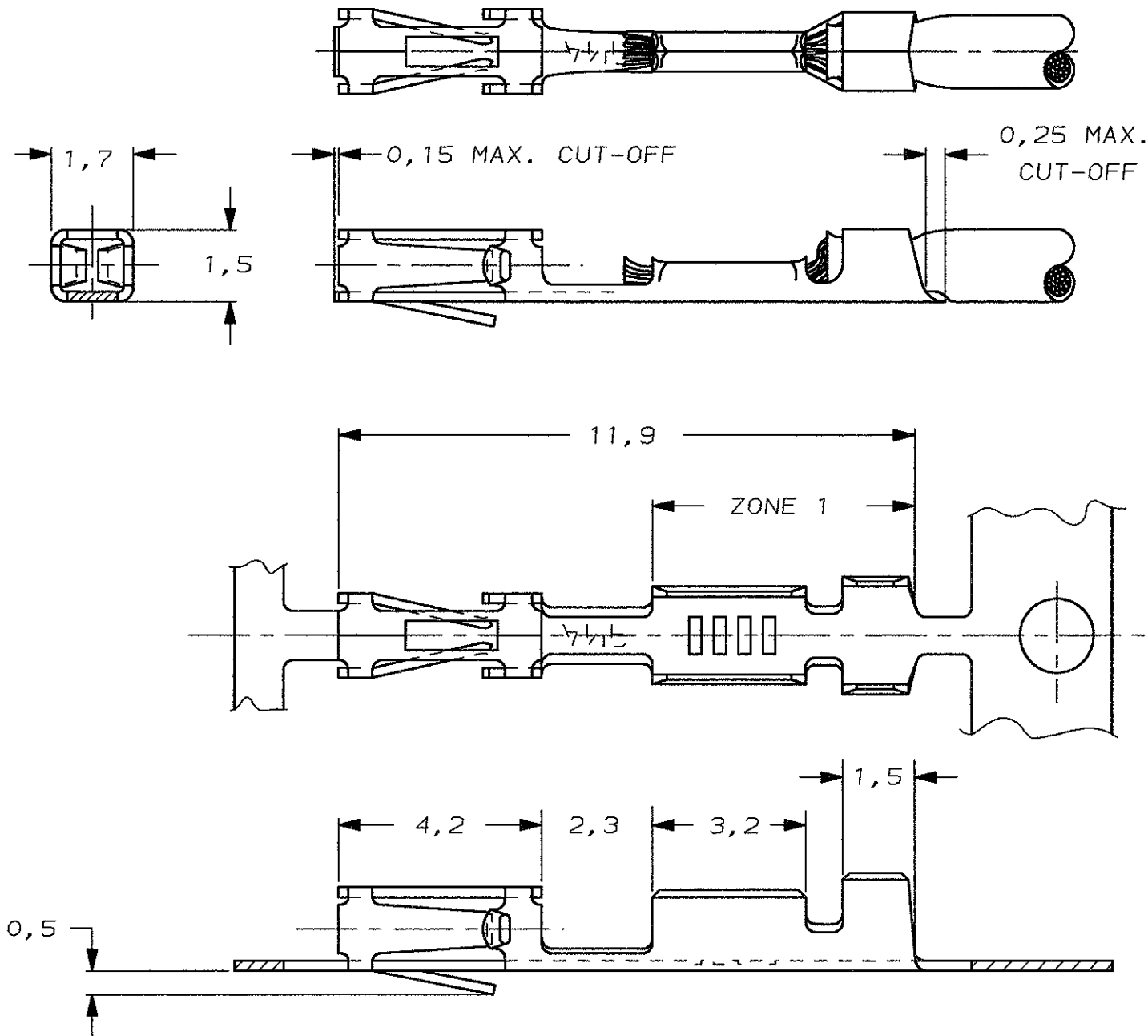
METRIC

THIRD ANGLE
PROJECTION



NOTES:

- 1 FOR MINI-APPLICATOR-CRIMPING.
- 2 UNDERCOATING: 1,25µm Ni, SELECTIVE: 0,8µm Au, ZONE 1: 0,5µm MIN. GOLDFLASH.
- 3 UNDERCOATING: 1,25µm Ni, SELECTIVE: 0,8µm Au, REMAINDER: GOLDFLASH.
- 4 UNDERCOATING: 1,25µm Ni, SELECTIVE: 0,4µm Au, NO GOLDFLASH.
- 5 ~~ZONE 1: BRIGHT TIN/LEAD PLATED.~~
- 6 MATERIAL: PHOSPHORBRONZE
- 7 FOR STANDARD-APPLICATOR-CRIMPING.
- 8 FOR REELFEED-HANDTOOL-CRIMPING, 500 CONTACTS ON A SMALL REEL.
- 9 24-20 AWG (0,20-0,56 mm²) WITH .055 CRIMPER.
26 AWG (0,12-0,14 mm²) WITH .042 CRIMPER.



GOLD	2	141603-4	5-167300-8	8
GOLD	4	≠	1-167300-6	1
			1-167300-5	2
GOLD	2	141603-4	167300-8	1
			167300-7	2
GOLD	3	141603-3	167300-6	1
			167300-5	2

				FINISH	LOOSE PIECE	PARTNUMBER
-	-	-	-	-	-	CUSTOMER DRAWING FOR REFERENCE ONLY WILL NOT BE UPDATED
-	-	-	-	-	-	© COPYRIGHT 19- BY AMP HOLLAND B.V. ALL INTERNATIONAL RIGHTS RESERVED. AMP PRODUCTS MAY BE COVERED BY U.S. AND FOREIGN AND/OR PATENTS PENDING.
-	-	-	-	-	-	THIS DRAWING IS UNPUBLISHED RELEASED FOR PUBLICATION ,19
-	-	-	-	-	-	AMP AMP HOLLAND B.V. 's-Hertogenbosch, The Netherlands.
-	-	-	-	-	-	NAME AMP MODU MOD.4 RECEPTACLE, STRIP
F	EH-2039-98	JvL	JvL	03-12-98		
LTR.	REVISION RECORD	DR.	CHK.	DATE		
DR.:	J.v.LIEMPT	CHK.:	J.v.LIEMPT	APP.:	E.LEIJTENS	DWG. No. C-167300
DATE:	03 DEC 98	DATE:	-	DATE:	-	REV. LTR. SHEET F 1 OF 1 A3