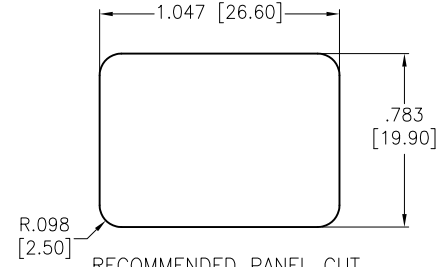
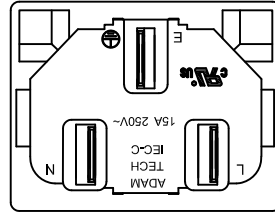
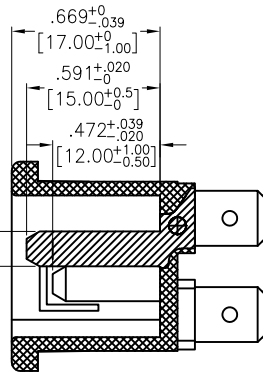
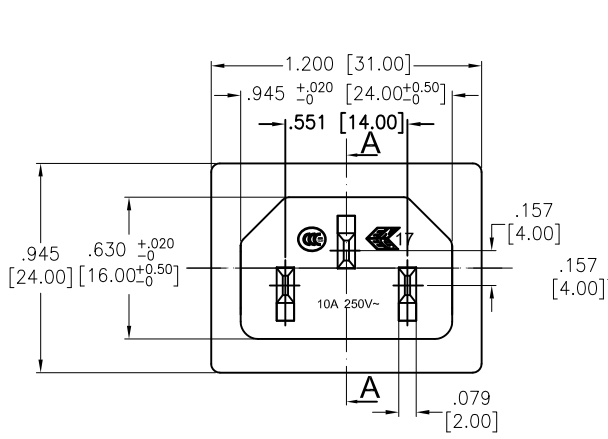


APPROVED: _____
 DATE: _____ TITLE: _____

| Rev | AWO # | Description | Date | Appr |
|-----|-------|-----------------------|----------|-------|
| - | | RELEASED | 6/16/05 | |
| A | | ADDED PANEL THICKNESS | 7/11/12 | |
| B | | REDRAWN | 12/20/12 | |
| C | | ADDED P/N | 1/17/14 | AY |
| D | | REMOVED DIMENSION 300 | 12/18/20 | LH/RT |



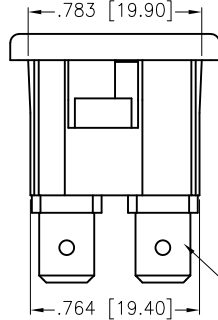
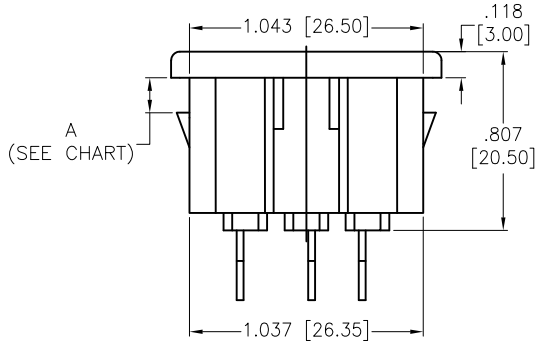
EXAMPLE ORDERING CODE
 IEC - C - 1 - 150

BODY
 STYLE

PANEL THICKNESS
 DIM. "A"
 080 = 0.80mm
 100 = 1.00mm
 120 = 1.20mm
 150 = 1.50mm
 200 = 2.00mm
 400 = 4.00mm

TERMINALS

1 = .187 QC
 2 = .250 QC
 3 = SOLDER .157"
 5 = SOLDER .098"



SEE TERMINAL OPTIONS

| PART NUMBER | DIMENSION | |
|-------------|-----------|--------|
| | A | |
| IEC-C-X-080 | .031 | [0.80] |
| IEC-C-X-100 | .039 | [1.00] |
| IEC-C-X-120 | .047 | [1.20] |
| IEC-C-X-150 | .059 | [1.50] |
| IEC-C-X-200 | .079 | [2.00] |
| IEC-C-X-400 | .157 | [4.00] |

| TERMINAL OPTIONS | | | |
|------------------|-----------|-------------|-------------|
| -1 | -2 | -3 | -5 |
| .187 Q.C. | .250 Q.C. | .157 Solder | .098 Solder |
| | | | |

SPECIFICATIONS:

Material:
 Insulator: Nylon 66, glass reinforced, rated UL 94V-0
 Insulator color: Black
 Contacts: Brass
 Plating:

Tin over Copper underplate overall

Electrical:

Operating voltage: 250 VAC
 Current rating: UL & CSA: 15 Amps max
 ENEC: 10 Amps max

Insulation resistance: 100 Mohms min @ 500 VDC
 Dielectric withstanding voltage: 3,000 VAC for 1 minute
 Environmental:

Lead free, RoHS compliant



UNLESS OTHERWISE SPECIFIED
 ALL DIMENSIONS ARE INCHES [MM]
 TOLERANCES: EXCEPT AS NOTED

| INCHES | | HOLES | |
|--------|--------|-------|--------|
| .X | ± .10 | Ø.X | ± .10 |
| .XX | ± .020 | Ø.XX | ± .015 |
| .XXX | ± .015 | Ø.XXX | ± .010 |

ADAM TECH INTERCONNECTS
 909 Rahway Avenue,
 Union, NJ 07083
 Phone: 908-687-5000
 Fax: 908-687-5710

| APPROVALS | | DATE |
|-----------|----|---------|
| DRAWN | SS | 6/16/05 |
| CHECKED | | |
| APPROVED | | |

| TITLE | | | |
|-------------------------------------|-------------|------------|--------------|
| IEC MALE INLET, SNAP-IN PANEL MOUNT | | | |
| SIZE | PART NO. | REV. | |
| X | IEC-C-X-XXX | D | |
| REF: | S00087C | SCALE: NTS | SHEET 1 OF 1 |