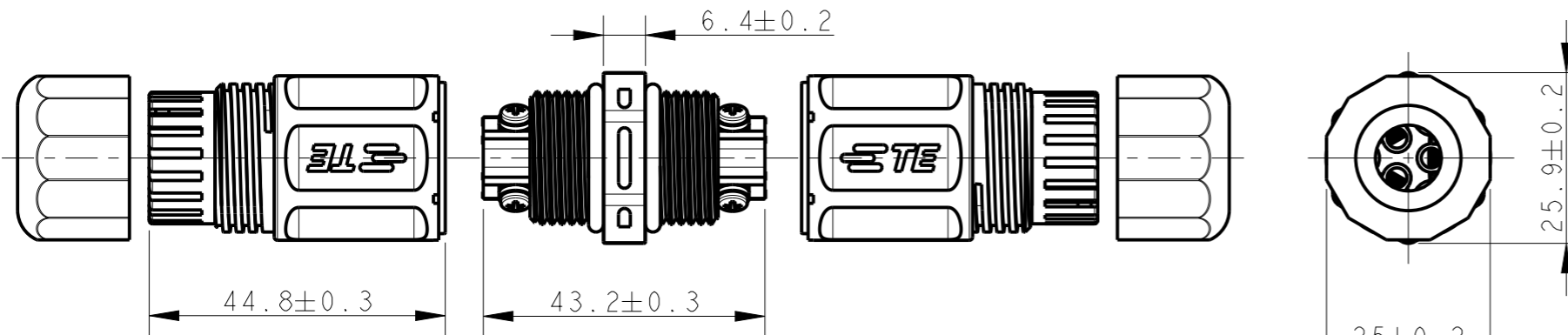


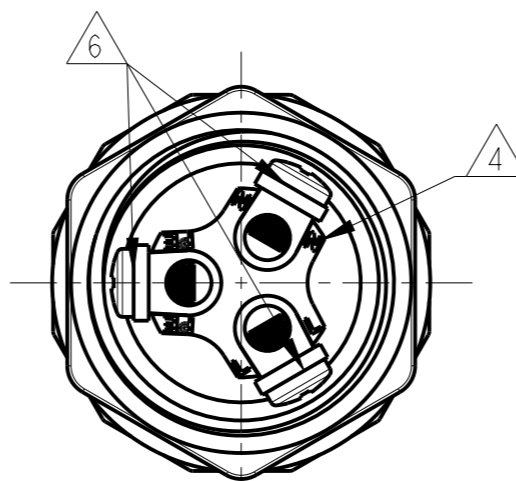
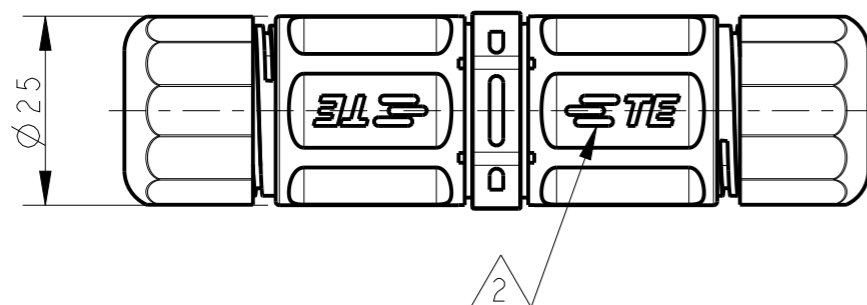
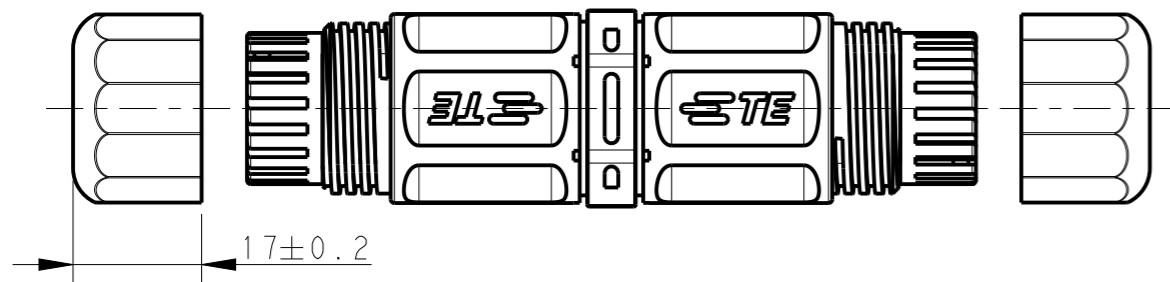
REVISIONS

P	LTR	DESCRIPTION	DATE	DWN	APVD
B2		PRODUCT RELEASED	24MAR2021	SM	MZ

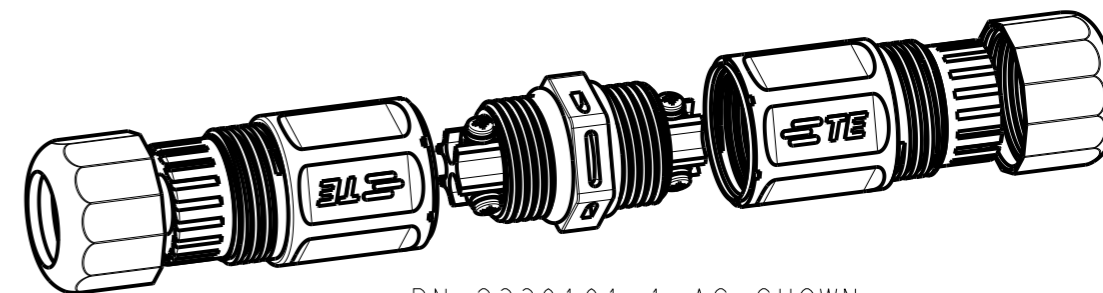


NOTES:

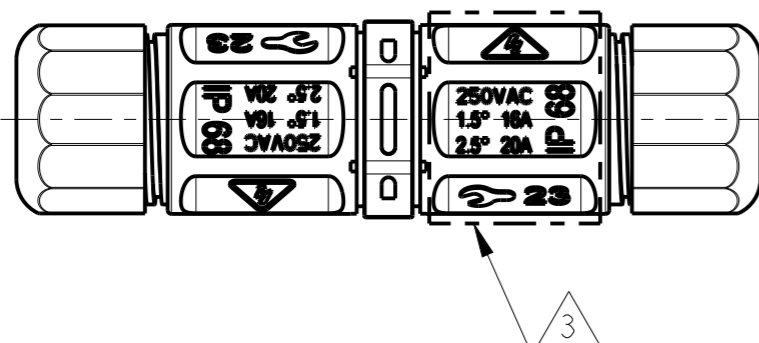
- MATERIALS:
PLASTIC PARTS: PA66; BLACK COLOR
CONTACTS: Ni PLATED BRASS
SEALING PARTS: SILICON
- TE LOGO
- MARKINGS: ELECTRICAL AND IP RATINGS, SPANER SIZE
- L, N, PE MARKINGS
- REFER APPLICATION SPEC 114-133122 FOR CABLE PREPARATION AND TERMINATION
- COLORLED WASHER FOR IDENTIFICATION
LINE: BROWN; NEUTRAL: BLUE; GROUND: GREEN



CABLE GLAND EXCLUDED FOR CLARITY SCALE 2:1



PN 2330191-1 AS SHOWN NOT TO SCALE



2330191-1	1
PART NUMBER	ITEM

THIS DRAWING IS A CONTROLLED DOCUMENT.		DWN RAVI.S 14MAY2019	TE TE Connectivity	
DIMENSIONS: mm		CHK SUBHASH.M 14MAY2019		
TOLERANCES UNLESS OTHERWISE SPECIFIED:		APVD M.ZUCCA 19NOV2020	NAME NECTOR T, 3P INLINE SPLICE	
0 PLC ±0.2		PRODUCT SPEC 118-133122	RESTRICTED TO	
1 PLC ±0.2		APPLICATION SPEC 114-133122	SIZE A3	CAGE CODE 00779
2 PLC ±0.10		WEIGHT -	DRAWING NO C-2330191	
3 PLC ±		CUSTOMER DRAWING	SCALE 1:1	SHEET 1 OF 1
4 PLC ±			REV B2	
ANGLES ±3°				
FINISH -				