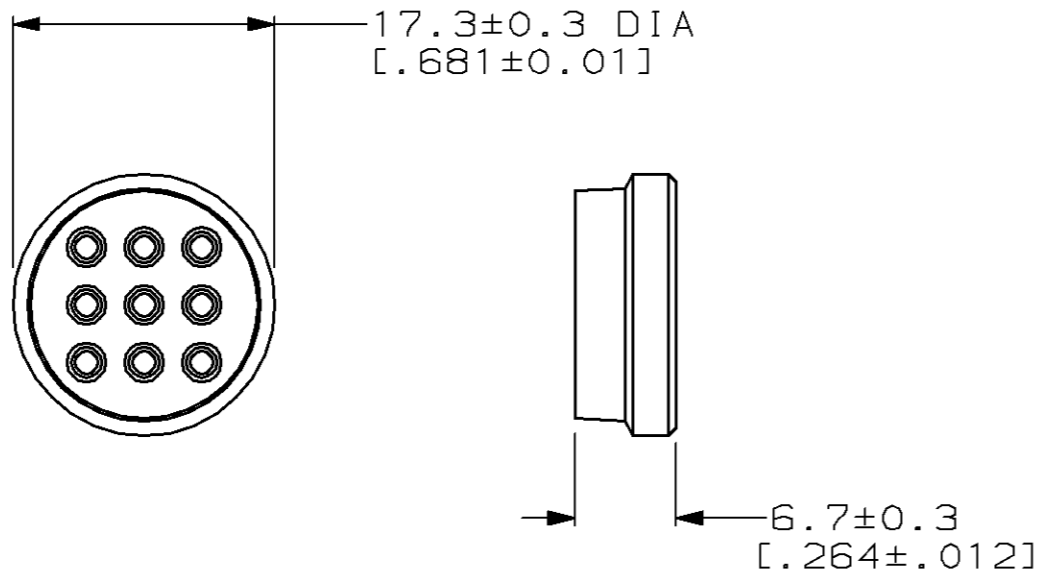


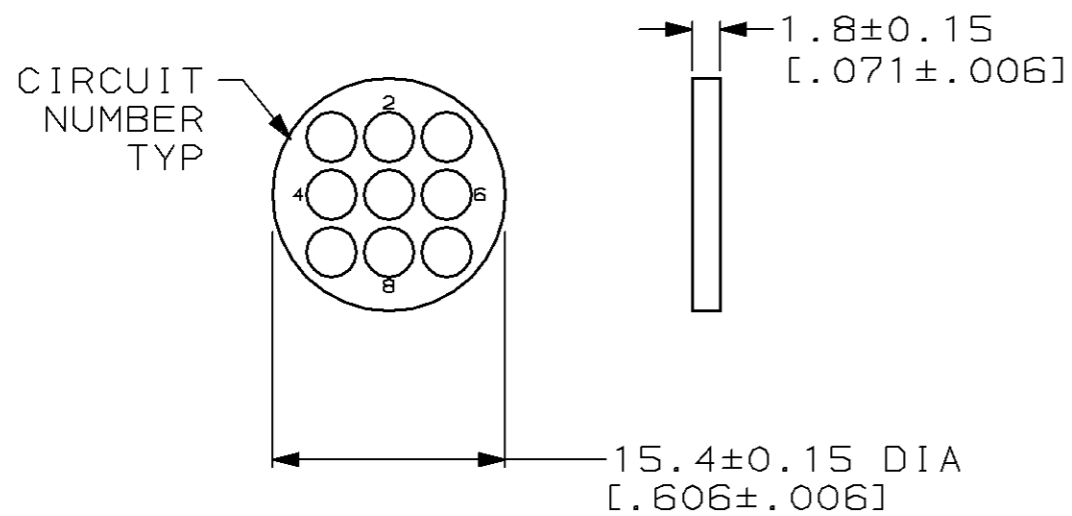
THIS DRAWING IS UNPUBLISHED. RELEASED FOR PUBLICATION, 19 .
 © COPYRIGHT 19 BY AMP INCORPORATED. ALL RIGHTS RESERVED.

LOC	DIST	REVISIONS			
P	LTR	DESCRIPTION	DATE	DWN	APVD
	0	RLSE -1 PER NPR 5429, WAS 95-5029-4	09 OCT 95	-	-
	A	REV PER EC 0002-187-96	23 FEB 96	BC	AF



SEAL
 MATERIAL: SILICON, BLACK
 QTY=1

1. FOR USE WITH SOCKET CONTACTS.
2. INSULATION RANGE: 1.90 [0.075] TO 3.18 [0.125] DIA.



PRESSURE PLATE
 MATERIAL: NYLON, BLACK
 QTY=1

213925-1
 PART NUMBER

THIS DRAWING IS A CONTROLLED DOCUMENT FOR AMP INCORPORATED. IT IS SUBJECT TO CHANGE AND THE CONTROLLING ENGINEERING ORGANIZATION SHOULD BE CONTACTED FOR THE LATEST REVISION.		DWN W.G.LENKER 09 OCT 95	AMP AMP Incorporated Harrisburg, PA 17105-3608
DIMENSIONS: mm [INCHES]		CHK R.STONE 11 OCT 95	
TOLERANCES UNLESS OTHERWISE SPECIFIED: 0 PLC ±- 1 PLC ±- 2 PLC ±- 3 PLC ±- 4 PLC ±- ANGLES ±-		APVD A.FRANTUN 11 OCT 95	NAME SEAL KIT, L.H., UNASSEMBLED, SIZE 13-9, CPC
MATERIAL SEE CALLOUTS		PRODUCT SPEC 108-1579	SIZE A3
FINISH -		APPLICATION SPEC -	CAGE CODE 00779
		WEIGHT -	DRAWING NO C-213925
		CUSTOMER DRAWING	SCALE 2:1 SHEET 1 OF 1 REV A