

Mating face acc. to IEC 60603-7

Light pipe

Jack Layout

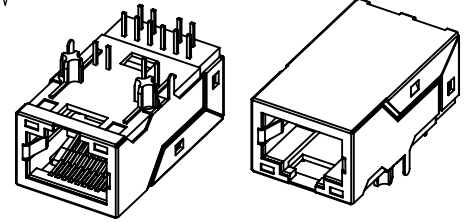
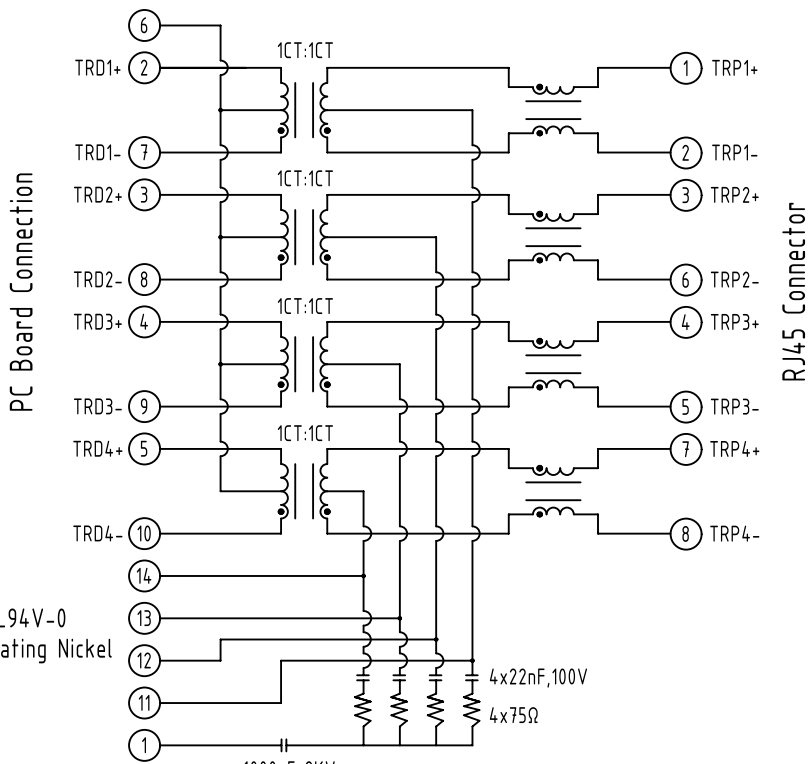
**Material:**

Housing material: POLYESTER or HIGH Temp UL94V-0  
 Shield material: 0.25mm THICKNESS BRASS Plating Nickel  
 Contact material: Phosphor Bronze t=0.30mm  
 Plating: gold plating over nickel

**Technical data:**

In accordance with IEEE 802.3u.  
 Designed for 10/100/1000 base transmission over UTP-5 cable  
 Storage: -40°C to 85°C  
 Operation: -25°C to 70°C  
 Operating lifetime: 750 cycles min  
**Packaging:**  
 56 pieces per tray and 13 trays per carton

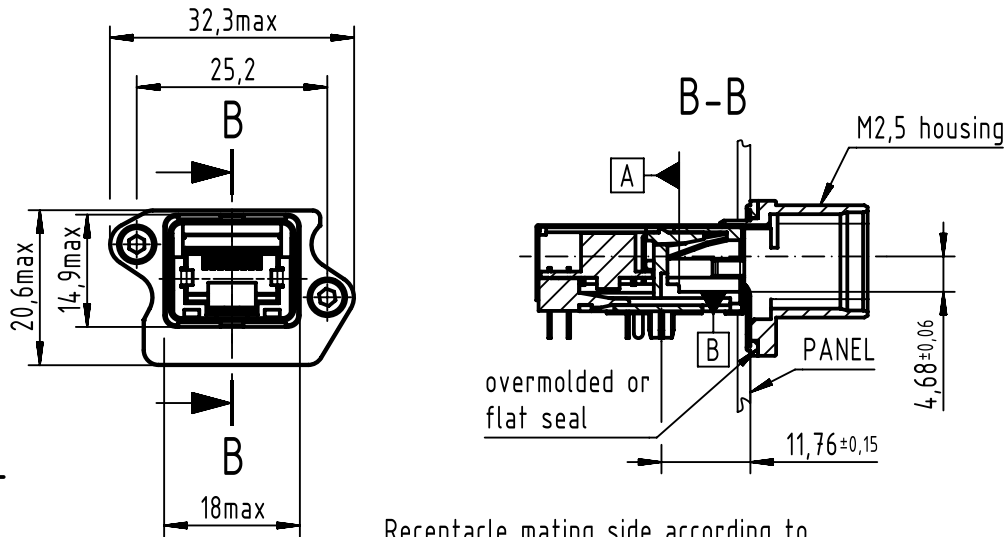
Schematic



	All Dimensions in mm Original Size DIN A4		Scale 2:1		Free size tol.		Ref.		
	All rights reserved		Created by BALSAN		Inspected by PRIESTER		Standardisation HOFFMANN		
Department EL PD		Title HARTING RJ Industrial RJ45 jack 1Gbit PoE, 27.5mm				Date 2019-05-24		State Final Release	
HARTING Electronics GmbH D-32339 Espelkamp		Type TB				Number 09455511531		Doc-Key / ECM-Nr. 100639111/UGD/001/B 500000151921	
							Rev. B		Page 1/4

MOUNTING INSTRUCTIONS FOR HARTING PUSHPULL  
COMPACT RECEPTACLE HOUSING

PN: 09 45 545 0023  
PN: 09 45 545 0033

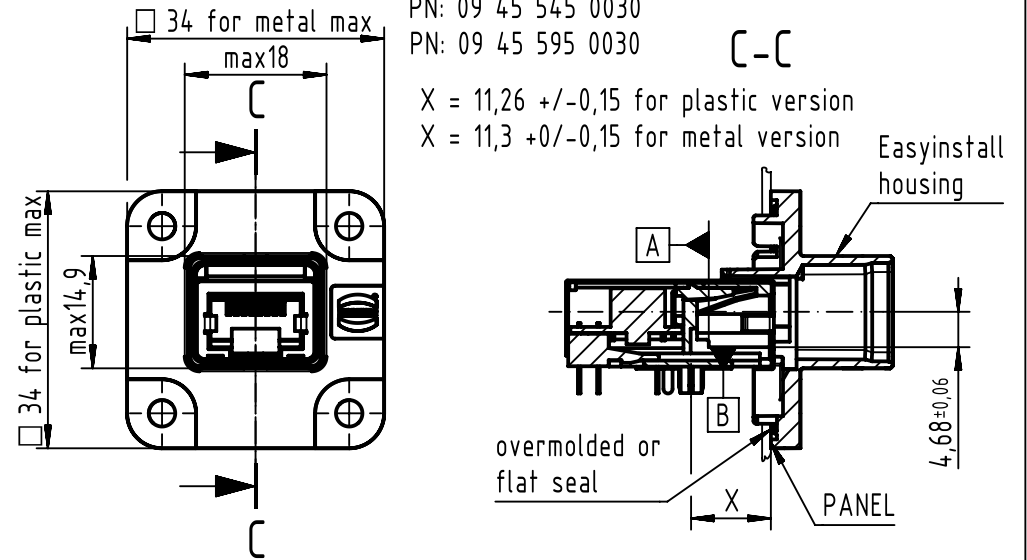


Receptacle mating side according to  
IEC 61076-3-106 variant 4

MOUNTING INSTRUCTIONS FOR HARTING PUSHPULL  
EASYINSTALL RECEPTACLE HOUSINGS

PN: 09 45 545 0030  
PN: 09 45 595 0030

X = 11,26 +/-0,15 for plastic version  
X = 11,3 +/-0,15 for metal version



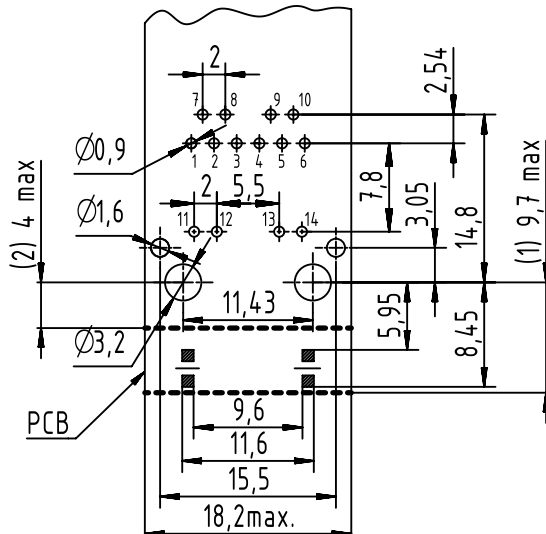
Receptacle mating side according to  
IEC 61076-3-106 variant 4

PCB board Layout

PCB thickness: 1,6mm +/-0,1

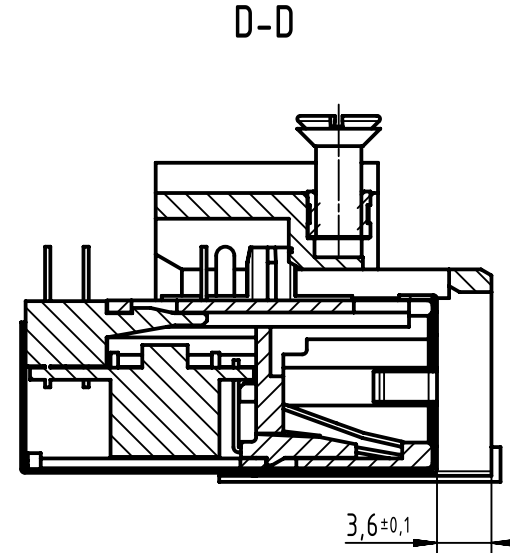
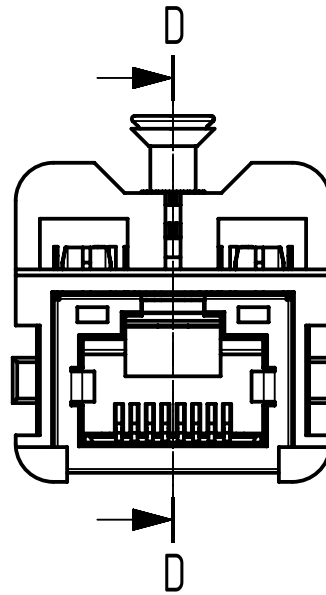
(1) maxi PCB front side position if SMD LED used  
If LED used, maxi panel thickness for Pushpull compact  
receptacle housing, is 1,5mm

(2) maxi PCB front side position if SMD led NOT used

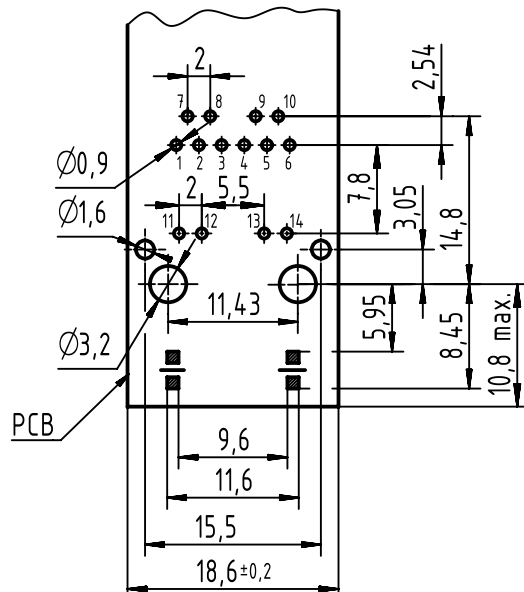


	All Dimensions in mm Original Size DIN A4		Scale 1:1	Free size tol.		Ref.	
	All rights reserved		Created by BALSAN	Inspected by PRIESTER	Standardisation HOFFMANN	Sub.	
Department EL PD		Date 2019-05-24		State Final Release			
HARTING Electronics GmbH D-32339 Espelkamp		Title HARTING RJ Industrial RJ45 jack 1Gbit PoE, 27.5mm				Doc-Key / ECM-Nr. 100639111/UGD/001/B 500000151921	
		Type TB	Number 09455511531			Rev. B	Page 2/4

MOUNTING INSTRUCTION FOR HAN 3A RJ45 HOUSING  
WITH HAN 3A ADAPTER WITHOUT FIXING CLIPS  
09 45 515 0022




PCB board Layout



PCB thickness: 1,6mm +/-0,1

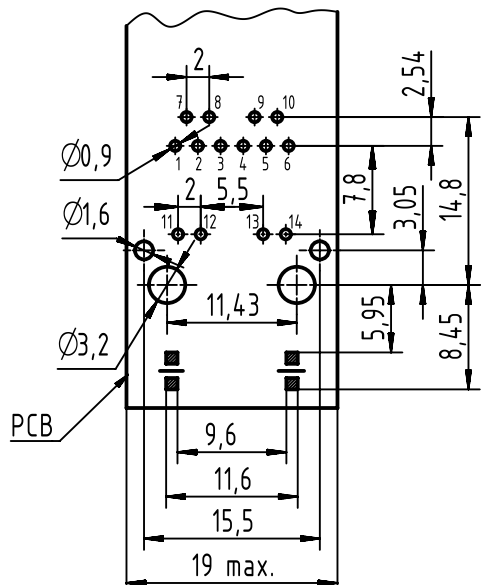
Receptacle mating side according to  
IEC 61076-3-106 variant 5

	All rights reserved Department EL PD	All Dimensions in mm Original Size DIN A4		Scale 2:1	Free size tol.	Ref. Sub.
		Created by BALSAN	Inspected by PRIESTER	Standardisation HOFFMANN	Date 2019-05-24	State Final Release
HARTING Electronics GmbH D-32339 Espelkamp		Title HARTING RJ Industrial RJ45 jack 1Gbit PoE, 27.5mm			Doc-Key / ECM-Nr. 100639111/UGD/001/B 500000151921	
		Type TB	Number 09455511531		Rev. B	Page 3/4

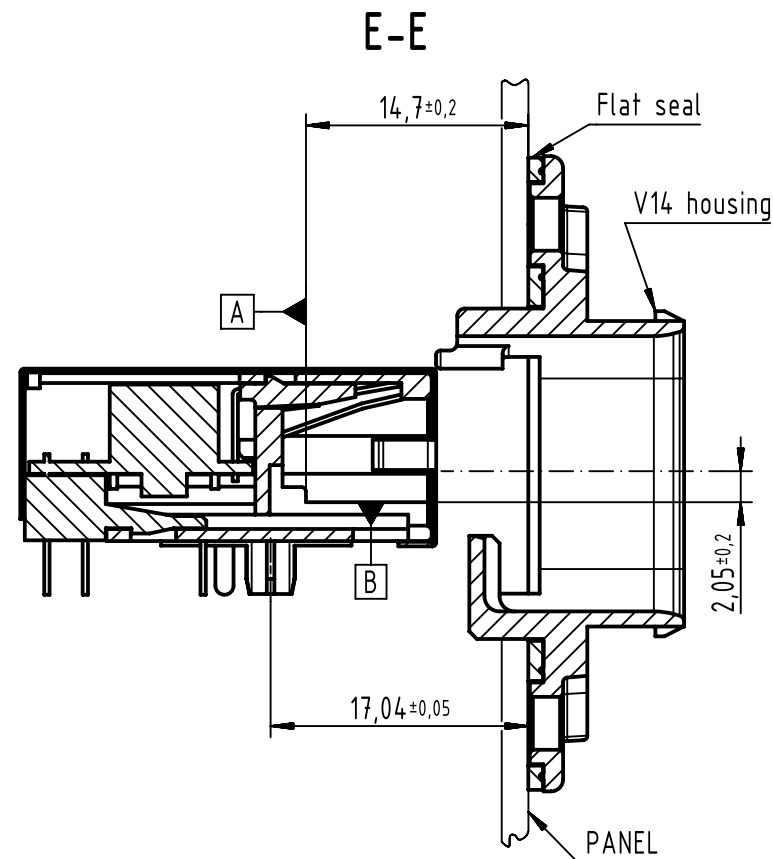
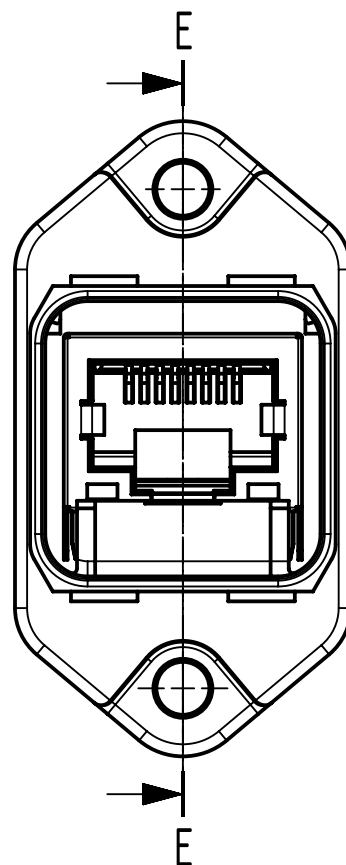
MOUNTING INSTRUCTION FOR HAN PUSH/PULL RJ45 HOUSING  
09 35 002 0301

Receptacle mating side according to  
DIN EN 61076-3-117

PCB board Layout



PCB thickness: 1,6mm +/- 0,1



	All rights reserved Department EL PD	All Dimensions in mm Original Size DIN A4		Scale 1:1	Free size tol.	Ref. Sub.
		Created by BALSAN	Inspected by PRIESTER	Standardisation HOFFMANN	Date 2019-05-24	State Final Release
HARTING Electronics GmbH D-32339 Espelkamp		Title HARTING RJ Industrial RJ45 jack 1Gbit PoE, 27.5mm			Doc-Key / ECM-Nr. 100639111/UGD/001/B 500000151921	
		Type TB	Number 09455511531		Rev. B	Page 4/4