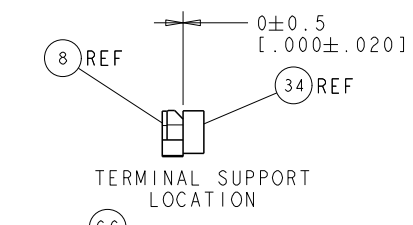
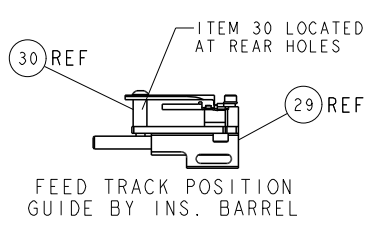
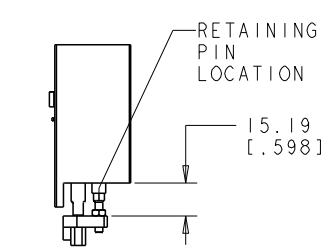
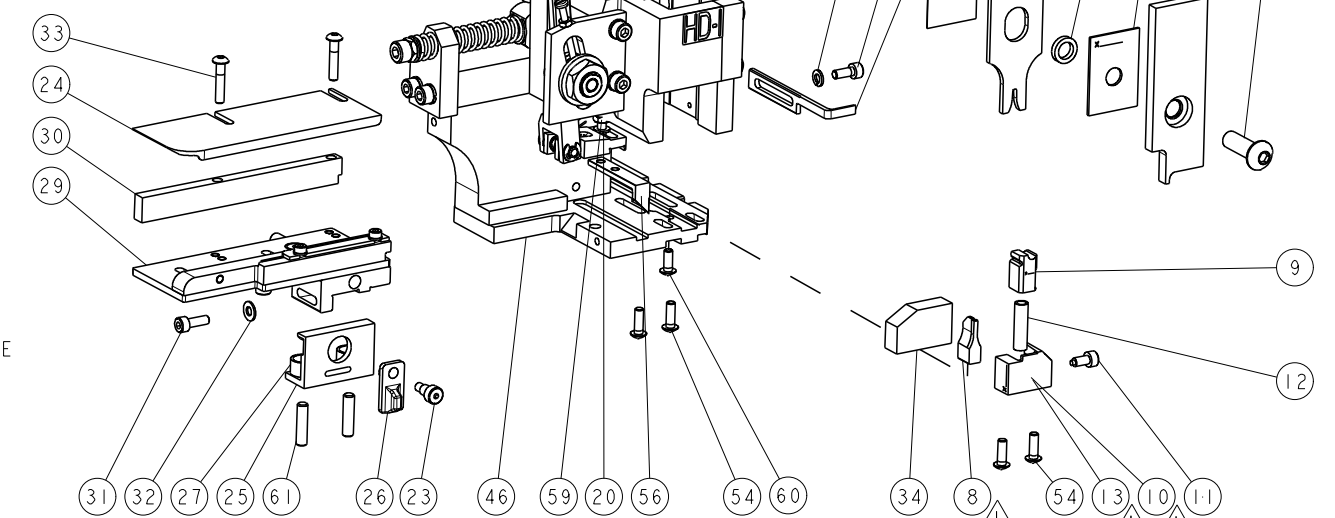
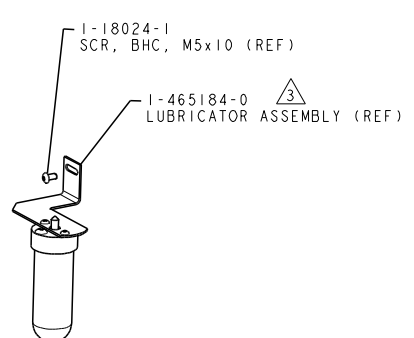
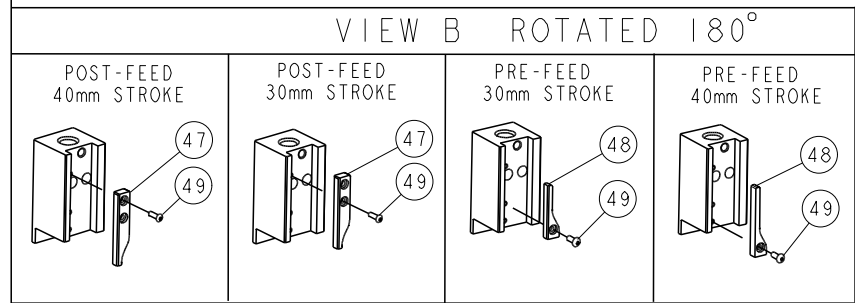


PART NUMBER	REV	TERMINATOR	FEED TYPE	DESCRIPTION
2088631-1	B	LEADMAKER	MECH POST FEED	CUTS CARRIER
2088631-2	B	BENCH	MECH PRE FEED	CUTS CARRIER
2088631-6	B	LEADMAKER	MECH POST FEED	CONTINUOUS CARRIER
7-2088631-1	B	LEADMAKER	MECH POST FEED	-1 AND SPARE PARTS
7-2088631-2	B	BENCH	MECH PRE FEED	-2 AND SPARE PARTS
7-2088631-6	B	LEADMAKER	MECH POST FEED	-6 AND SPARE PARTS
7-2088631-7	A	-	-	SPARE PARTS KIT

CRIMP DATA		TE TERMINAL		TE CRIMP SPECS	
TERMINAL NAME: DYNAMIC D3-S TAB & REC					
CRIMP	SIZE	TYPE	RANGE		
WIRE	1.40 [ .055 IN ]	F	0.08-0.2mm <sup>2</sup> or 28-24 AWG		
INSUL	2.03 [ .080 IN ]	F	1.04-1.43 [ .0409-.0563 IN ]		
WIRE STRIP LENGTH		APPL INSTRUCTIONS			
3.8-4.8 [ .150-.189 IN ]		408-8322			
TERMINAL APPL SPEC		114-5148		FEED 13.00 [ .512 IN ]	
TERMINALS APPLIED					
TAB	REC	-	-	-	-
175284	175194	-	-	-	-
-	-	-	-	-	-
-	-	-	-	-	-
WIRE SIZE	CRIMP HEIGHT	PIN PN & LENGTH [ IN ]			
0.20mm <sup>2</sup> (24AWG)	1.00 ± 0.03 [ .039 ± .001 IN ]	9-354778-7 [ .2980 ]			
0.12mm <sup>2</sup> (26AWG)	0.95 ± 0.03 [ .037 ± .001 IN ]	354779-2 [ .3000 ]			
0.08mm <sup>2</sup> (28AWG)	0.92 ± 0.03 [ .036 ± .001 IN ]	354779-4 [ .3010 ]			

- △ RECOMMENDED SPARE PARTS.
  - △ GREASE RAM, CAM, CAM FOLLOWER AND FEED ROD LIGHTLY.
  - △ CERTAIN TERMINALS REQUIRE LUBRICATION. REFER TO THE APPLICATOR INSTRUCTION SHEET FOR MORE INFORMATION.
4. LUBRICATE DAILY PER THE APPLICATOR INSTRUCTION SHEET SUPPLIED WITH THE APPLICATOR.



SET UP GAGE  
458637-3

REVISONS		DATE	OWN	APPD
A	RELEASED	02DEC2010	RK	GB
B	ECR-11-013728	01JUL2011	JK	JK

QTY	UNIT	DESCRIPTION	ITEM NO	
-	1	993111-8	PIN, SLOTTED SPRING 3.0 X 12.0	177
-	2	3-22280-7	SPRING, COMPRESSION	176
-	1	1752353-1	GUIDE PIN, HOLDDOWN	175
-	1	1901680-1	GUIDE PIN, HOLDDOWN	174
-	1	455888-1	SPACER, CRIMPER	82
-	1	1338705-1	DOCUMENTATION PACKAGE	71
-	1	461264-1	PLATE, IDENTIFICATION	67
-	2	21017-2	SCREW, DRIVE	66
-	1	986950-1	WASHER, FLAT PRECISION	64
-	1	3-18031-0	SCR, SET, CUP POINT M6 X 6.0	63
-	1	18023-9	SCR, SKT HD CAP M4 X 6.0	62
-	2	2-18032-5	SCR, SET, FLT POINT M5 X 20.0	61
-	1	18024-7	SCR, BTN SKT HD CAP (M4 X 10.0)	60
-	1	5-18022-2	SCR, HEX HD CAP M4 X 8.0	59
-	1	1338685-1	PAWL, FEED	56
-	4	4-18024-8	SCR, BTN SKT HD CAP (M4 X 12.0)	54
-	1	1-18030-0	NUT, HEX, REG M3.5	52
-	1	1901681-5	HOLDDOWN, TERMINAL	51
-	1	1-1752354-8	STANDOFF, HOLD-DOWN	50
-	1	18024-3	SCR, BTN SKT HD CAP (M3 X 10.0)	49
-	1	1338675-1	CAM, UNIVERSAL PRE FEED	48
-	1	1338676-1	CAM, UNIVERSAL POST-FEED	47
-	1	1320999-3	APPLICATOR SUBASSEMBLY, HDI	46
-	1	690191-1	PLUG, NYLON	45
-	1	1633724-1	RAM, (SIDE FEED)	44
-	1	690125-1	SHIM SUB-ASSY	43
-	1	690124-4	WASHER, RAM (.135)	42
-	1	2-18024-6	SCR, BTN SKT HD CAP (M8 X 25.0)	41
-	1	23241-1	BALL, STEEL	40
-	1	2-22278-7	SPRING, COMPRESSION	39
-	1	1320922-6	DISC, ADJUST, INSULATION CRIMP	38
-	1	354777-1	WIRE DISC, ASSEMBLY	37
-	1	22480-5	SPRING, COMPRESSION	36
-	1	690212-1	POST, RAM	35
-	1	1752356-1	SUPPORT, TERMINAL	34
-	2	2-18024-0	SCR, BTN SKT HD CAP (M4 X 20.0)	33
-	1	18027-2	WASHER, FLAT, REG M4	32
-	1	1-18023-2	SCR, SKT HD CAP M4 X 12.0	31
-	1	1-1320908-5	SPACER, STRIP GUIDE	30
-	1	1633073-1	STRIP GUIDE ASSEMBLY	29
-	1	1-455888-0	SPACER, CRIMPER	28
-	2	2-22284-0	SPRING, COMPRESSION	27
-	1	356835-1	LEVER, DRAG RELEASE	26
-	1	240792-1	DRAG, TERMINAL	25
-	1	1320928-3	PLATE, STRIP GUIDE	24
-	1	980371-4	SCR, SKT HD SHLDR 5.0 DIA X 6.0	23
-	1	690472-6	STRIPPER	22
-	1	1-18023-1	SCR, SKT HD CAP M4 X 10.0	21
-	2	2-18025-2	WASHER, SPRG LOCK, REG M4	20
-	1	690472-9	STRIPPER	19
△	1	1338684-1	SHEAR HOLDER, FRONT	13
△	1	3-22280-3	SPRING, COMPRESSION	12
△	1	356885-4	STOP, SHEAR	11
△	1	1320921-1	SHEAR HOLDER, FRONT, CUT	10
△	1	462006-1	FLOATING SHEAR, FRONT	9
△	1	3-1633128-5	ANVIL, COMBINATION .055	8
-	1	-	-	7
-	1	-	-	6
-	1	2-455889-0	DEPRESSOR, SHEAR	5
-	1	238011-4	BLOCK, CRIMPER SPACER	4
△	1	6-456134-8	CRIMPER, INSULATION F PREMIUM	3
△	1	455888-1	SPACER, CRIMPER	2
△	1	456402-1	CRIMPER, WIRE PREMIUM	1

QTY	UNIT	PART NO	DESCRIPTION	ITEM NO					
-77	-76	-72	-71	-6	-2	-1	PART NO	DESCRIPTION	ITEM NO