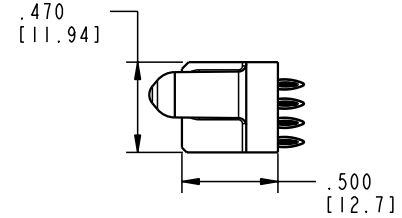
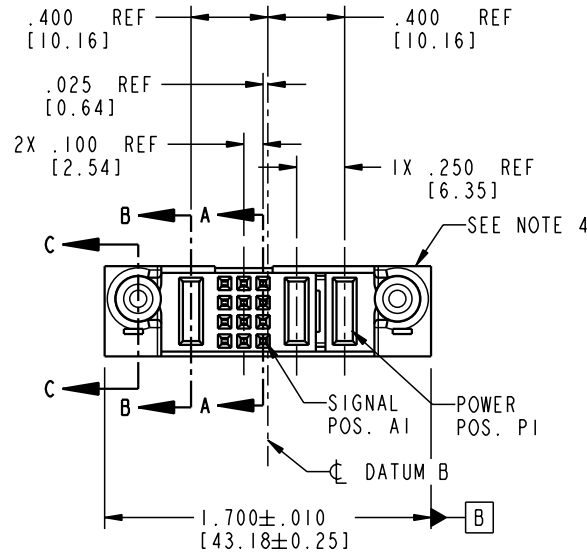


Tous droits strictement réservés. Reproduction ou communication o des liers interdite sous quelque forme que ce soit sans autorisation écrite du propriétaire. Propriete de c FCI. Droits de reproduction FCI.

All rights strictly reserved. Reproduction or issue to third parties in any form, whenever is not permitted without written authority from the proprietor. Property of FCI. Copyright FCI.

PRODUCT NO.	ROWS	PWR		SIG		POWER		E1
		E2	P3	3	2	1	P2	
51750-051	D C B A		PC	F F F F F F	PF	PF		



CODE	DIM "M" MATING LENGTH	CONTACT TYPE
F	N/A [N/A]	SIGNAL
PC	.042 [1.07]	POWER
PF	.092 [2.34]	POWER

mat'l code				SEE NOTE 2		tolerances unless otherwise specified		CUSTOMER		 www.fciconnect.com	
ltr	ecn no.	dr	date	linear	.XX ± .01/0.X ± 0.3		COPY		 title 2P + 12S + IP VERTICAL PRESS-FIT RECEPT		
A	V03-0975	TAB	09/02/03		.XXX ± .005/0.XXX ± 0.13		projection		product family PwrBlade code 213		
				angles	.XXX ± .0020/0.XXX ± 0.051		 INCH/MM		size dwg no A 51750-051 sheet 1 of 4		
				dr	T. BRUNGARD	09/02/03	scale 1:1				
				enr	M. MOSTOLLER	09/02/03					
				chr	M. MOSTOLLER	09/02/03					
				appd	M. MOSTOLLER	09/02/03					
sheet index	revision sheet	A	A	A	A				cage code 22526		
		1	2	3	4						

Pro/E

cage code 22526

PDM: Rev:A

STATUS: Released

Printed: Dec 20, 2010

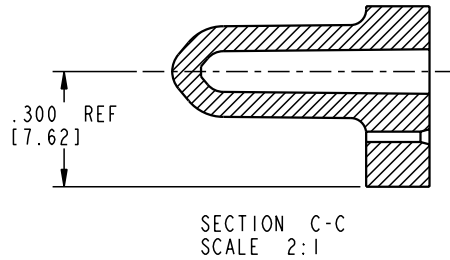
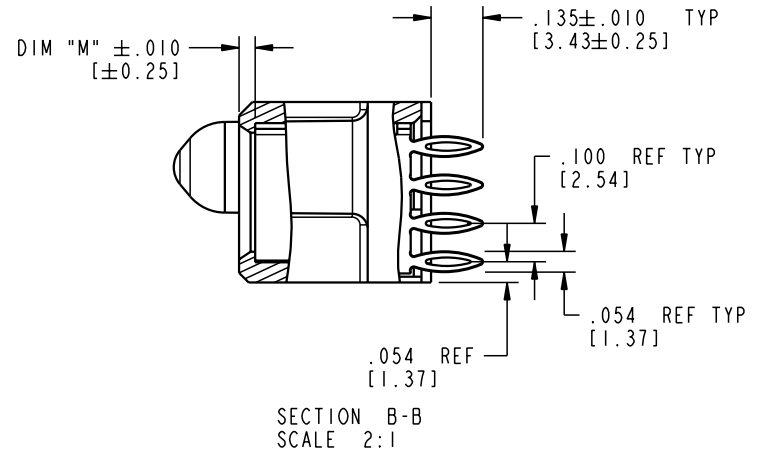
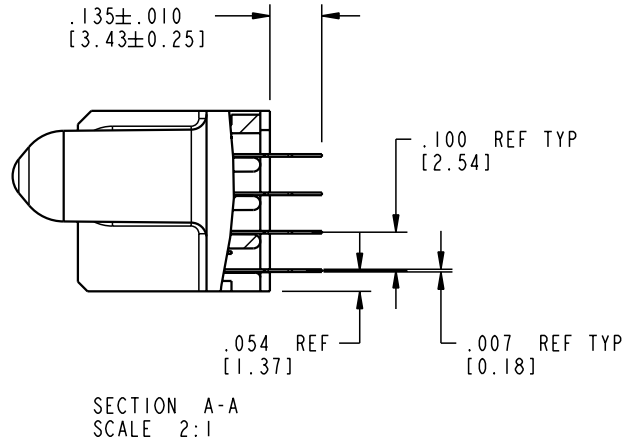
Tous droits strictement réservés. Reproduction ou communication a des tiers interdite sous quelque forme que ce soit sans autorisation écrite du propriétaire. Propriété de c FCI. Droits de reproduction FCI.

A
FCI

All rights strictly reserved. Reproduction or issue to third parties in any form whatever is not permitted without written authority from the proprietor. Property of FCI. Copyright FCI.

A

PRODUCT NUMBER
51750-051



mat'l code				SEE NOTE 2		tolerances unless otherwise specified		CUSTOMER		A FCI www.fciconnect.com	
ltr	ecn no.	dr	date	linear	.XX±.01/0.X±0.3		COPY		title 2P + 12S + IP VERTICAL PRESS-FIT RECEIPT		
A					.XXX±.005/0.XXX±0.13		projection				
					.XXXX±.0020/0.XXX±0.051		INCH/MM				
				angles	0° ± 2°		scale		product family PwrBlade code 213		
				dr	T. BRUNGARD	09/02/03	1:1		size A 51750-051		
				enr	M. MOSTOLLER	09/02/03			sheet 2 of 4		
				chr	M. MOSTOLLER	09/02/03					
				appd	M. MOSTOLLER	09/02/03					
sheet index		revision sheet									

A

B

B

1 | 2

3 |

4

1 | 2

Pro/E

3 |

cage code
22526

4

PDM: Rev:A

STATUS: **Released**

Printed: Dec 20, 2010

Tous droits strictement reserves. Reproduction ou communication a des tiers interdite sous quelque forme que ce soit sans autorisation écrite du propriétaire. Propriete de c FCI. Droits de reproduction FCI.

A
FCI

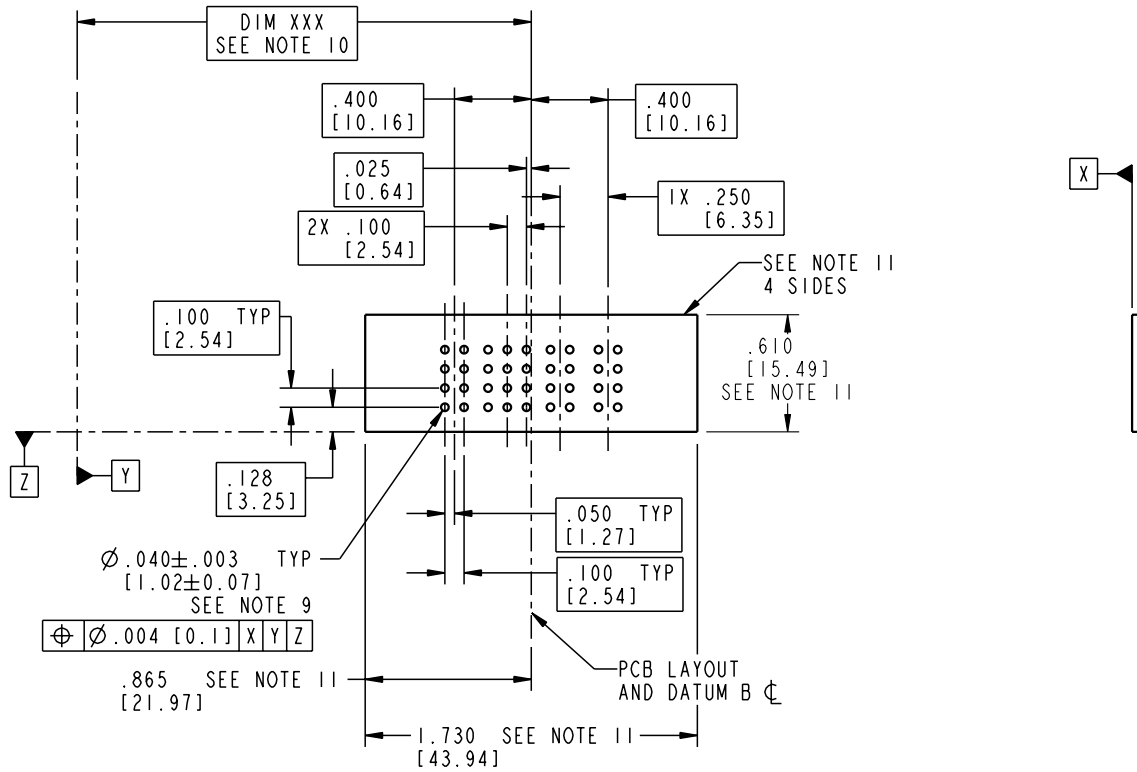
All rights strictly reserved. Reproduction or issue to third parties in any form whatever is not permitted without written authority from the proprietor. Property of FCI. Copyright FCI.

A

A
FCI

B

PRODUCT NUMBER
51750-051



A

A
FCI

B

mat'l code				SEE NOTE 2		tolerances unless otherwise specified		CUSTOMER		 www.fciconnect.com	
ltr	ecn no.	dr	date	linear	.XX ± .01/0.X ± 0.3		COPY		 title 2P + 12S + IP		
A					.XXX ± .005/0.XX ± 0.13		projection		 VERTICAL PRESS-FIT RECEPT		
					.XXX ± .002/0.XX ± 0.051		 INCH/MM		product family PwrBlade code 213		
				angles	$0^{\circ} \pm 2^{\circ}$		scale		size dwg no A 51750-051 sheet 3 of 4		
				dr	T. BRUNGARD	09/02/03	1:1				
				enr	M. MOSTOLLER	09/02/03					
				chr	M. MOSTOLLER	09/02/03					
				appd	M. MOSTOLLER	09/02/03					
sheet index	revision sheet								cage code 22526		

Pro/E

3

cage code 22526

4

PDM: Rev:A

STATUS: Released

Printed: Dec 20, 2010

Tous droits strictement réservés. Reproduction ou communication o des tiers interdite sous quelque forme que ce soit sans autorisation écrite du propriétaire. Propriete de c FCI. Droits de reproduction FCI.

A
FCI

All rights strictly reserved. Reproduction or issue to third parties in any form, whatever is not permitted without written authority from the proprietor. Property of FCI. Copyright FCI.

B

PRODUCT NUMBER
51750-051

NOTES:

1. DIMENSIONS AND TOLERANCES ARE IN ACCORDANCE WITH ASME Y14.5M, 1994 UNLESS OTHERWISE SPECIFIED.

CONNECTOR NOTES:

2 HOUSING MATERIAL: UL 94 V-0 GLASS FILLED

HIGH-TEMP THERMOPLASTIC
POWER CONTACT MATERIAL: COPPER ALLOY
SIGNAL PIN MATERIAL: COPPER ALLOY

3. PLATING:

SIGNAL PINS: 30u"/0.76um Au OVER 50u"/1.27um Ni
POWER CONTACTS: 50u"/1.27um Ni UNDER ALL
WITH 30u"/0.76um Au ON CONTACT AREA
AND SnPb ON PCB INTERFACE

4 MANUFACTURER'S NAME, P/N, AND DATE CODE TO APPEAR ON THIS SURFACE.

5. PRODUCT SPECIFICATION GS-12-149.
APPLICATION SPECIFICATION BUS-20-067.

6. PACKAGED IN TRAYS.

PCB NOTES:


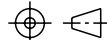
7. ALL HOLE DIAMETERS ARE FINISHED HOLE SIZE.

8 MOUNTING HOLES, WHERE APPLICABLE, ARE UNPLATED.

9 $\varnothing .0453 \pm .0010$ [1.151 \pm 0.025] DRILLED HOLES PLATED WITH
.0003 [0.008] MIN SnPb OVER .001 [0.03]
TO .003 [0.08] Cu PLATING TO ACHIEVE
 $\varnothing .040 \pm .003$ [1.02 \pm .07] HOLE.

10 "DIM XXX" TO BE DETERMINED BY THE CUSTOMER.

11 CONNECTOR KEEP-OUT ZONE.

mat'l code				SEE NOTE 2		tolerances unless otherwise specified		CUSTOMER		 FCI www.fciconnect.com	
ltr	ecn no.	dr	date	linear	.XX±.01/0.X±0.3		COPY		 title 2P + 12S + IP VERTICAL PRESS-FIT RECEPT		
A					.XXX±.005/0.XX±0.13		INCH/MM				
					angles	.XXX±.0020/0.XX±0.051		scale 1:1		size dwg no 51750-051 sheet 4 of 4	
				dr	T. BRUNGARD	09/02/03					
				enr	M. MOSTOLLER	09/02/03					
				chr	M. MOSTOLLER	09/02/03					
				appd	M. MOSTOLLER	09/02/03					
sheet index	revision sheet										

A

B

1 | 2

3 |

4

1 | 2

Pro/E

3 |

cage code 22526

4

PDM: Rev:A

STATUS: **Released**

Printed: Dec 20, 2010