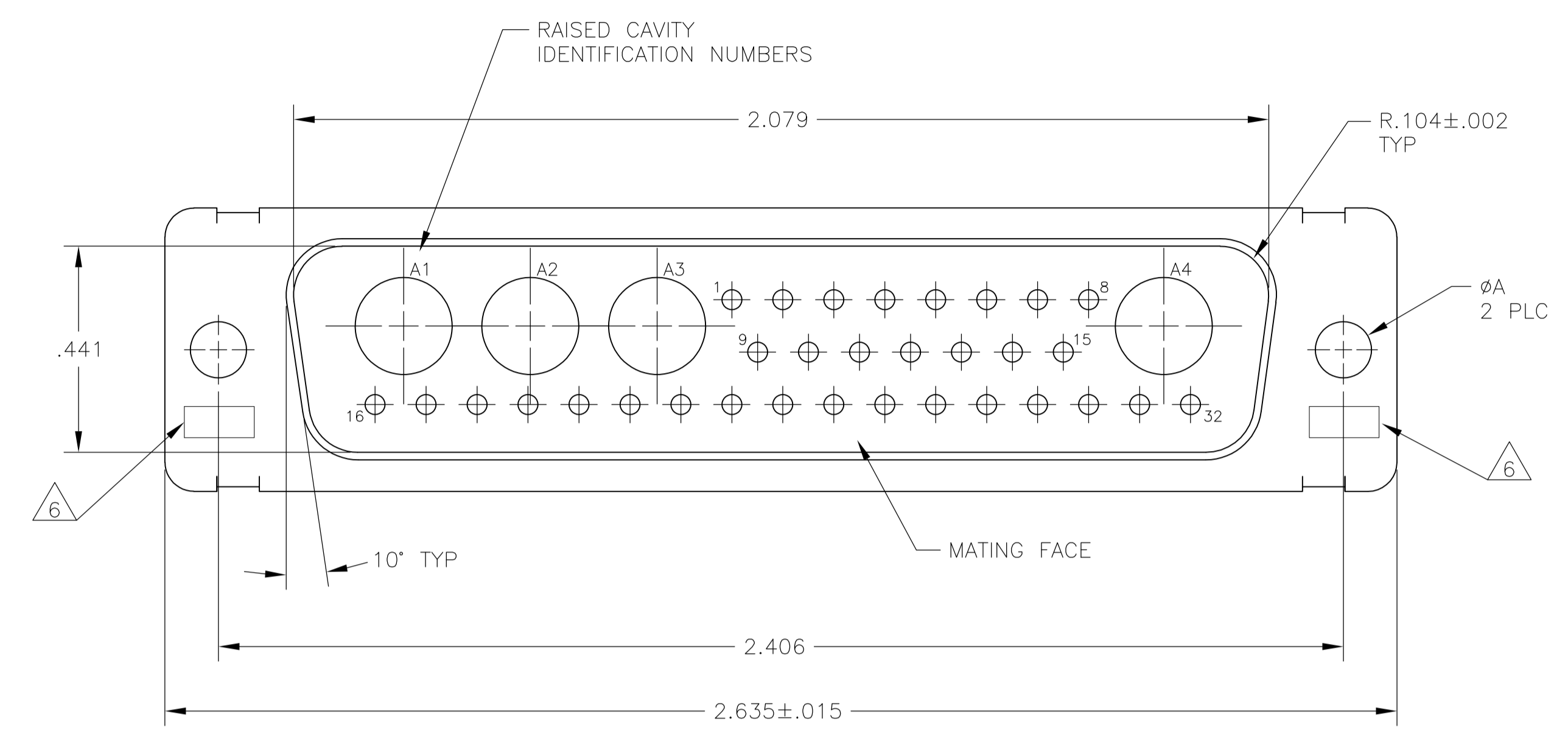
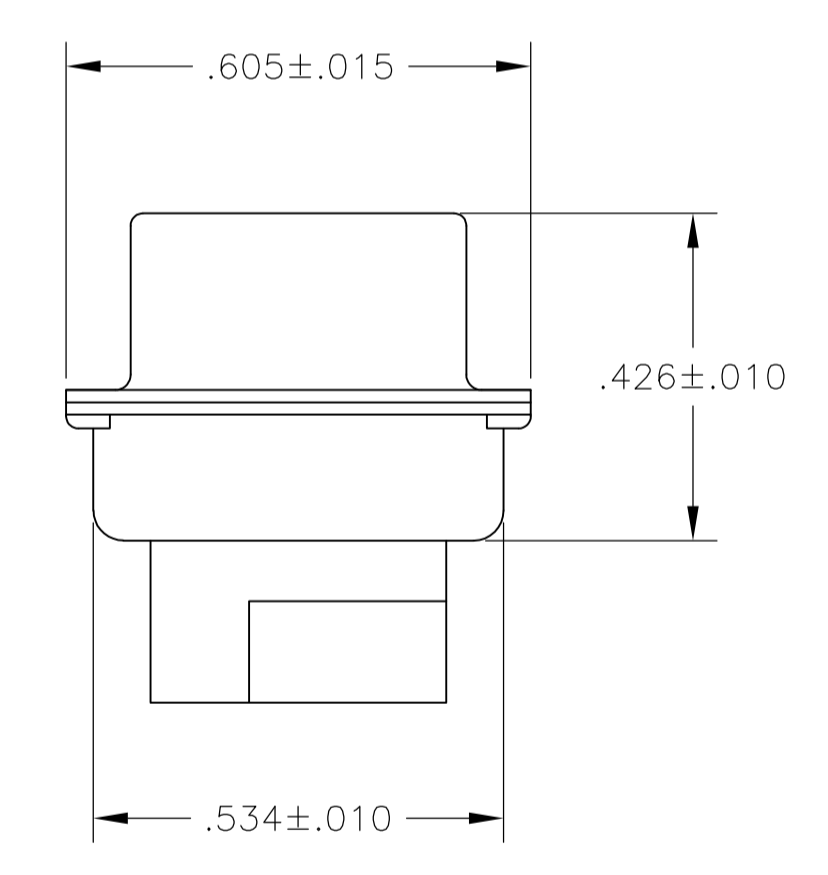
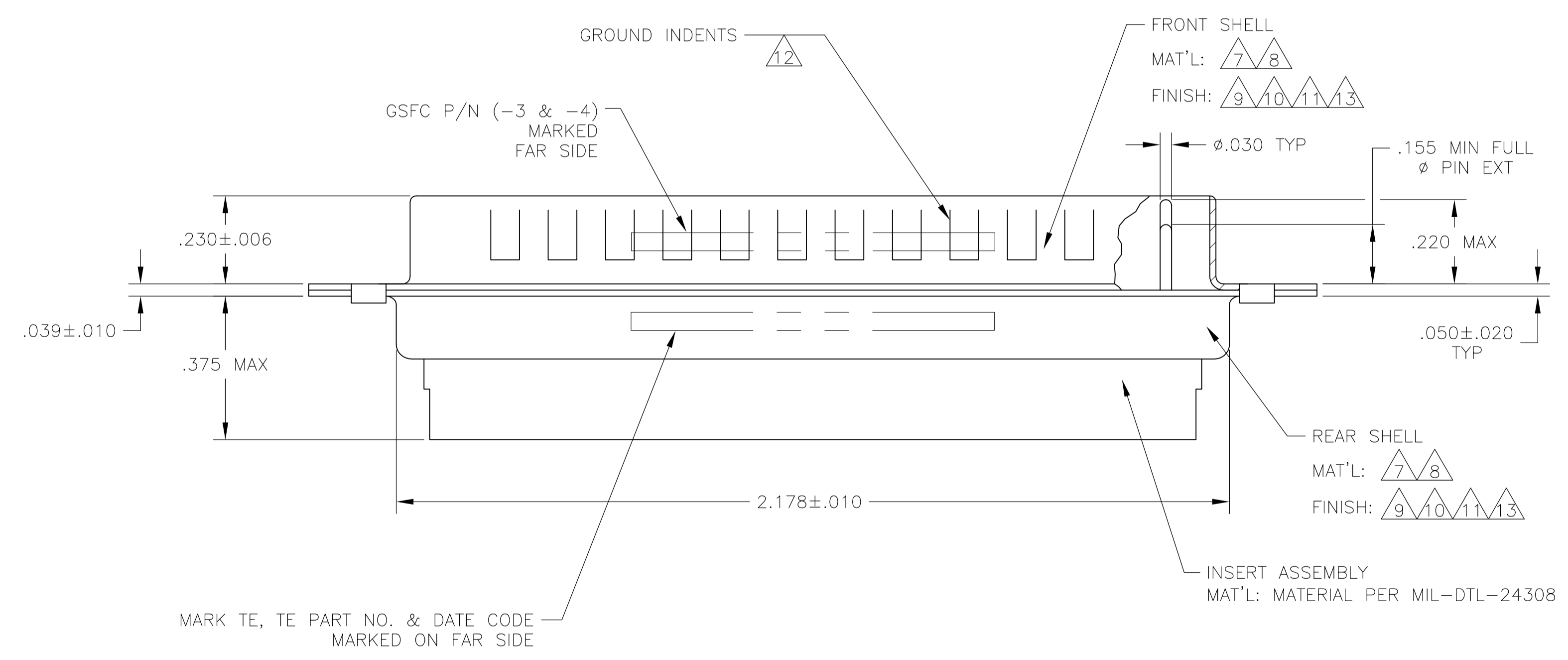


LOC		DIST		REVISIONS			
P	LTR	DESCRIPTION	DATE	DMN	APVD		
P		REVISED PER ECO-15-016251	13NOV15	KG	CD		



- THIS PLUG WILL MATE WITH ANY 36C4, SIZE 5 RECEPTACLE IN AMPLIMITE SERIES.
  - MAXIMUM WIRE INSULATION TO BE USED WITH THIS PLUG IS  $\phi.072$ .
  - THIS CONNECTOR ACCEPTS (4) POWER 8, OR COAX PIN CONTACTS IN POSITIONS A1 THRU A4, PURCHASED SEPARATELY.
  - THIS CONNECTOR ACCEPTS SIZE 20 PIN SIGNAL CONTACTS IN POSITIONS 1 THRU 32, PURCHASED SEPARATELY.
  - INSERTION/EXTRACTION TOOL USED FOR SIZE 20 PIN SIGNAL CONTACTS IS 91067-2.
- $\triangle 6$  UL/CSA DESIGNATION STAMPED IN THIS AREA, OPTIONAL.  
 $\triangle 7$  STEEL PER ASTM-A-109.  
 $\triangle 8$  BRASS PER MIL-C-50 AND ASTM-B-36 UNS NO. C26000.  
 $\triangle 9$  FINISH: CADMIUM PLATED PER QQ-P-416, TYPE II, CLASS 2.  
 $\triangle 10$  FINISH: GOLD PLATED PER MIL-G-45204 TYPE II, GRADE C, CLASS 1 OVER COPPER PER MIL-C-14550, CLASS IV.  
 $\triangle 11$  FINISH: TIN PER ASTM-B-545, .000400 MIN THK OVER COPPER PER AMS2418, .000050 MIN THK.  
 $\triangle 12$  GROUND INDENTS FOR 208744-5 & 5-208744-5 ONLY.  
 $\triangle 13$  FINISH: ZINC PLATE PER ASTM-B-633 .000200-.000400 THK WITH SUPPLEMENTARY CHROMATE (Cr3+).



MARK TE, TE PART NO. & DATE CODE MARKED ON FAR SIDE

$\triangle 7, \triangle 12, \triangle 11$	.120	-	5-208744-5
$\triangle 7, \triangle 13$	.154	-	5-208744-2
$\triangle 7, \triangle 13$	.120	-	5-208744-1
$\triangle 7, \triangle 11, \triangle 12$	.120	-	208744-5
$\triangle 8, \triangle 10$	.154	311P405-23P-B-15	208744-4
$\triangle 8, \triangle 10$	.120	311P405-23P-B-12	208744-3
$\triangle 7, \triangle 9$	.154	-	208744-2
$\triangle 7, \triangle 9$	.120	-	208744-1
REMARKS	ØA	GSFC P/N	PART NO.

THIS DRAWING IS A CONTROLLED DOCUMENT.

DIMENSIONS: INCHES	TOLERANCES UNLESS OTHERWISE SPECIFIED:	DIN	MANJUNATH G.M. 27-May-15	TE Connectivity
0 PLC ± - 1 PLC ± - 2 PLC ± - 3 PLC ± .005(0.13) 4 PLC ± - ANGLES ± 0°30'		CHK	CHARLES THOMAS 27-May-15	
MATERIAL	FINISH	APVD	CHARLES THOMAS 27-May-15	NAME
		PRODUCT SPEC		PLUG ASSEMBLY AMPLIMITE 36C4 SIZE 5, COAX MIX
		APPLICATION SPEC		SIZE
		WEIGHT	A1 00779	CAGE CODE
		CUSTOMER DRAWING	SCALE 4:1	SHEET 1 of 1