

## Network cable - VS-M12FSBP-IP20-93E-LI/0,3 - 1403157


Please be informed that the data shown in this PDF Document is generated from our Online Catalog. Please find the complete data in the user's documentation. Our General Terms of Use for Downloads are valid (<http://phoenixcontact.com/download>)



Assembled Ethernet cable, CAT5e, shielded, 2-pair, 26 AWG stranded (7-wire), RAL 5021 (water blue), M12 flush-type socket, rear/screw mounting with SPEEDCON to RJ45 plug/IP20, line, length: 0.3 m

RoHS

### Key Commercial Data

Packing unit	1 pc
Minimum order quantity	10 pc
GTIN	 4 046356 644068
GTIN	4046356644068

### Technical data

#### Mechanical characteristics

Number of positions	4
Shielded	yes
Insertion/withdrawal cycles	≥ 100
Cable diameter	6.70 mm
Cable outlet	straight
Cable structure	2x2xAWG26/7; SF/UTP
Length of cable	0.3 m
Degree of protection	IP67
No. of cable outlets	1

#### Ambient conditions

Ambient temperature (operation)	-25 °C ... 60 °C (cable, fixed installation)
	-5 °C ... 60 °C (cable, flexible installation)

#### Material data

Outer sheath, material	PUR
External sheath, color	water blue RAL 5021

# Network cable - VS-M12FSBP-IP20-93E-LI/0,3 - 1403157

## Technical data

### Electrical characteristics

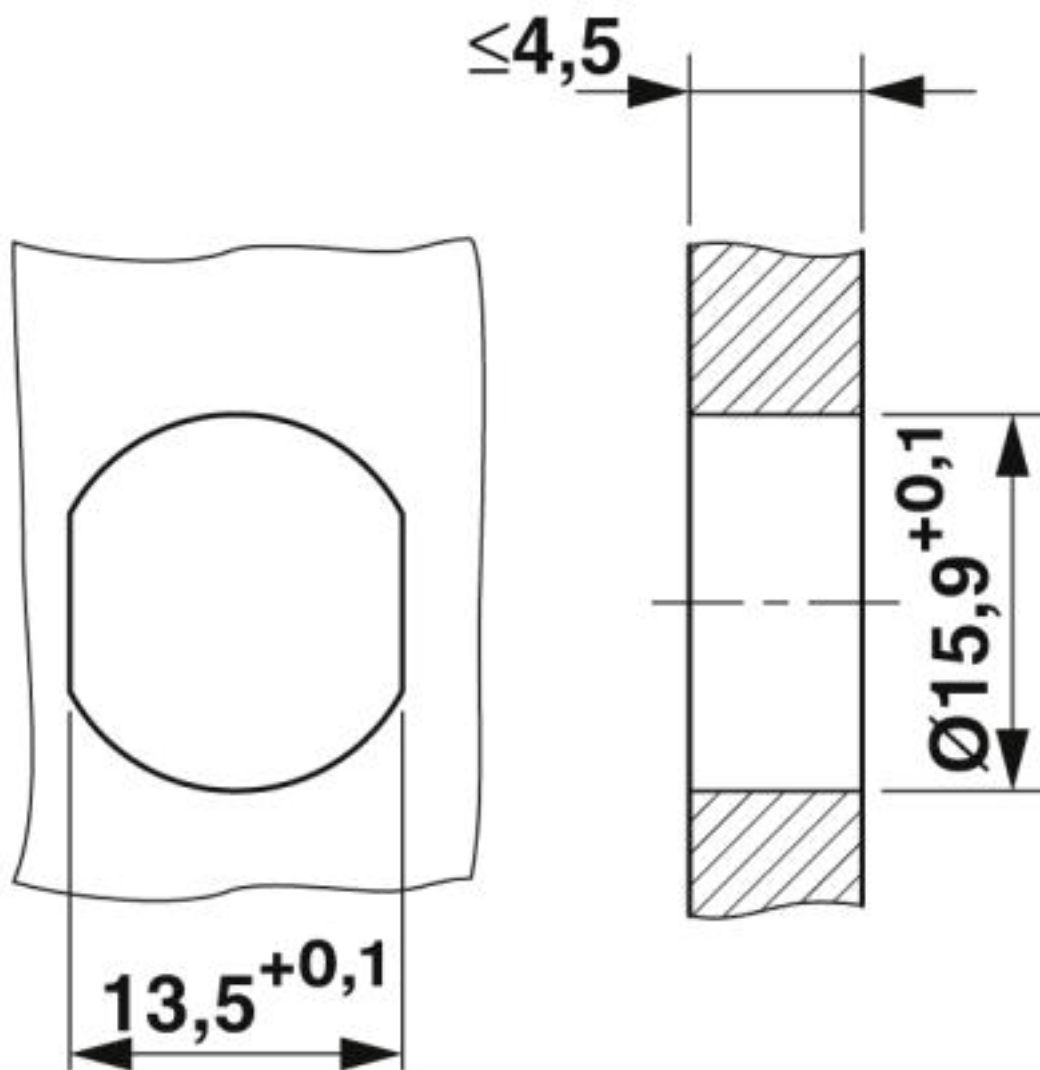
Transmission characteristics (category)	CAT5 (IEC 11801:2002)
---	-----------------------

### Environmental Product Compliance

	Lead 7439-92-1
China RoHS	Environmentally Friendly Use Period = 50
	For details about hazardous substances go to tab "Downloads", Category "Manufacturer's declaration"

## Drawings

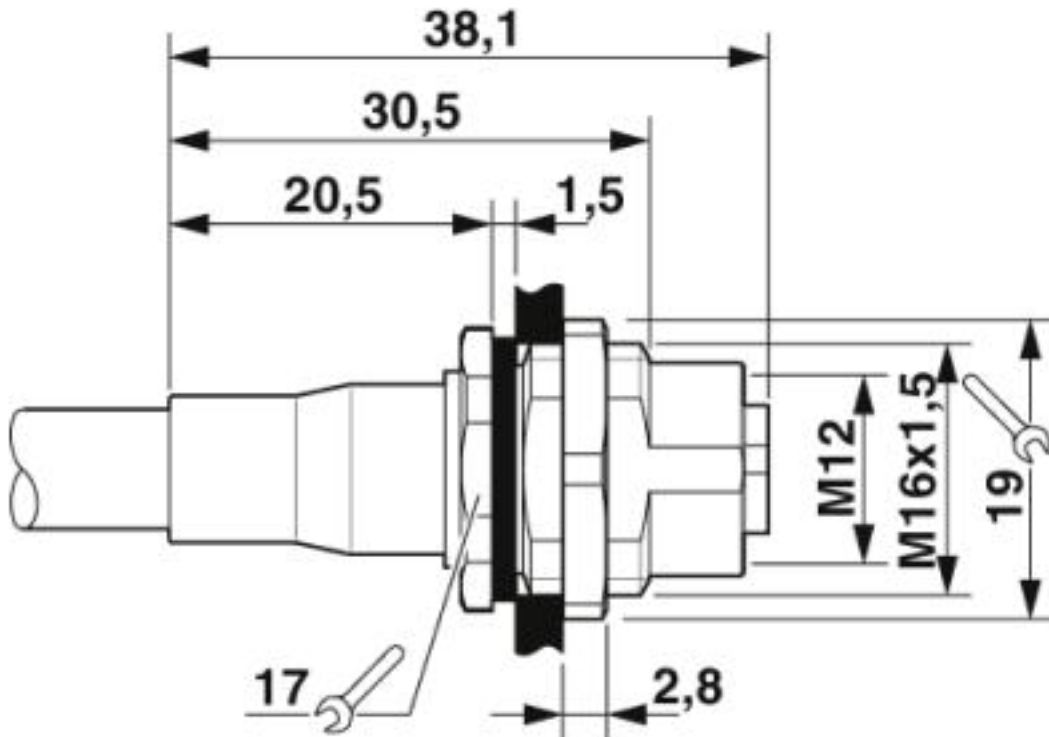
Dimensional drawing



Housing cutout for M16 fastening thread, mounting panel with feed-through hole (alternatively with surface as protection against rotation)

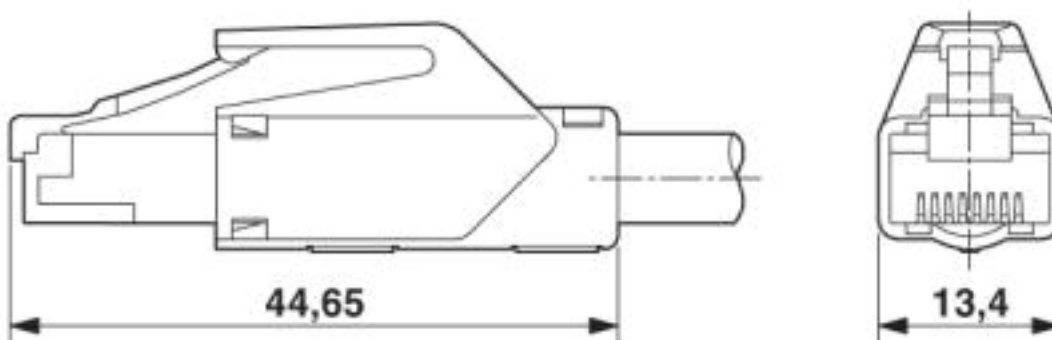
# Network cable - VS-M12FSBP-IP20-93E-LI/0,3 - 1403157

Dimensional drawing



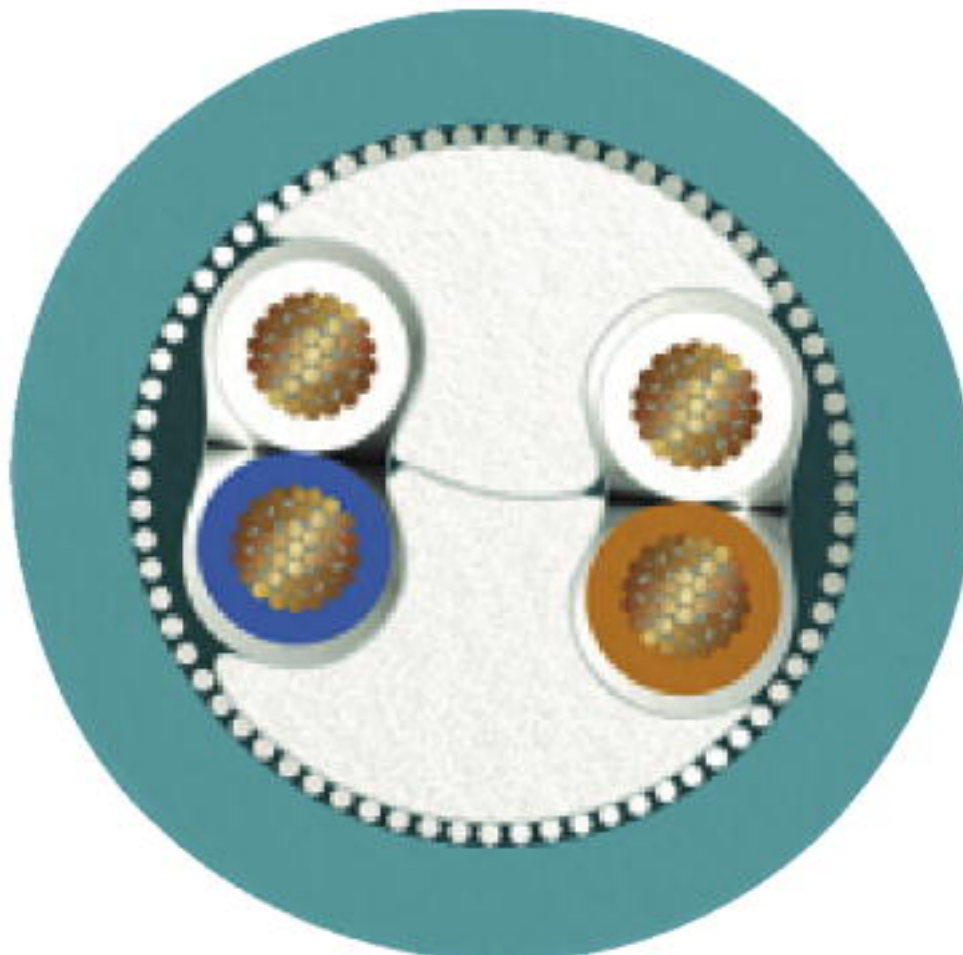
M12 flush-type connector

Dimensional drawing



# Network cable - VS-M12FSBP-IP20-93E-LI/0,3 - 1403157

Cable cross section



Ethernet [93E]

Approvals

Approvals

---

Approvals

EAC

---

Ex Approvals

---

Approval details

## Network cable - VS-M12FSBP-IP20-93E-LI/0,3 - 1403157

### Approvals

EAC



B.00767

Phoenix Contact 2019 © - all rights reserved  
<http://www.phoenixcontact.com>

PHOENIX CONTACT GmbH & Co. KG  
Flachsmarktstr. 8  
32825 Blomberg  
Germany  
Tel. +49 5235 300  
Fax +49 5235 3 41200  
<http://www.phoenixcontact.com>