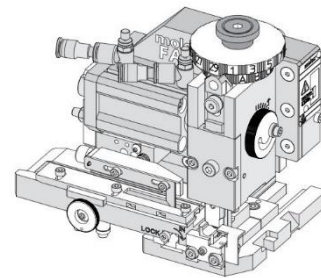


**Order Number**  
**63808-2910**

**molex**<sup>®</sup>

## Application Tooling Specification



### FEATURES

- Applicator designed to industry-standard mounting and 135.80mm (5.346") shut height
- Quick setup time; plus, the crimp height, track and feed adjustments can be set without removing the applicator from the press
- Fine adjustment allows users to achieve target with little effort by adjusting in increments of 0.015mm (.0006") for conductor crimp height and 0.025mm (.001") for insulation height
- Fine adjustment of the bend is achieved using the bend control adjust dial
- Independent adjustment rings allow users to quickly adjust the conductor or insulation crimp height without affecting each other
- Directly adapts to most automatic wire processing machines
- This applicator is configured with a pneumatic feed, which requires a 4-way pneumatic valve for operation

### SCOPE

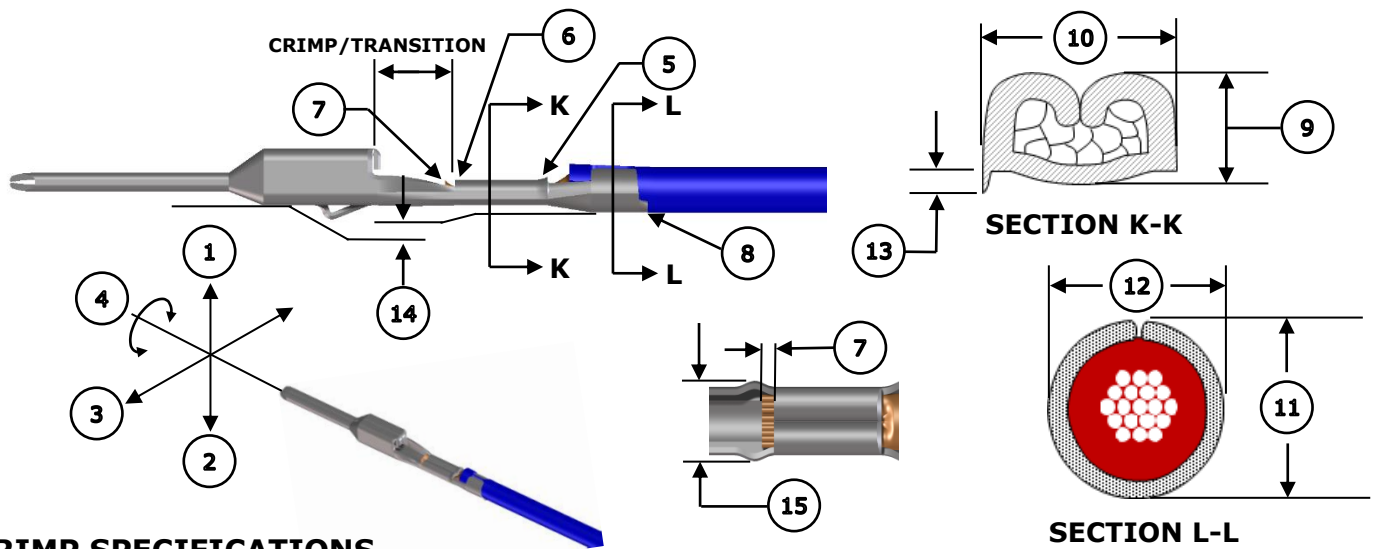
**Products:** MX150 18 Grip Blade Terminals: 18 AWG, 0.75mm<sup>2</sup> and 1.00mm<sup>2</sup> wire.

| Terminal Series No.     | Terminal Order No.                                   | Wire                      |                     | Insulation Diameter |           | Strip Length |           |
|-------------------------|--|---------------------------|---------------------|---------------------|-----------|--------------|-----------|
|                         |  | Wire Type                 | Wire Size           | mm                  | In.       | mm           | In.       |
| 33000<br>33011<br>34782 | 33000-1002<br>33011-0004<br>33011-3002<br>34782-1002 | GXL                       | 18 AWG              | 1.60-2.54           | .063-.100 | 4.70-5.60    | .185-.220 |
|                         |  | TXL                       | 18 AWG              |                     |           |              |           |
|                         |  | ISO                       | 1.0mm <sup>2</sup>  |                     |           |              |           |
|                         |  | PSA FTP<br>00949 10 00769 | 1.0mm <sup>2</sup>  |                     |           |              |           |
|                         |  | FLR91X-A-XLPO             | 1.0mm <sup>2</sup>  |                     |           |              |           |
|                         |  | PSA FTP<br>00949 10 00769 | 0.75mm <sup>2</sup> |                     |           |              |           |
|                         |  | ISO                       | 0.75mm <sup>2</sup> |                     |           |              |           |
|                         |  | FLR91X-A-XLPO             | 0.75mm <sup>2</sup> |                     |           |              |           |

**CAUTION:** This applicator was designed for use in a wire processor only.

**CAUTION:** To operate the pneumatic feed, a 4-way pneumatic valve is required.

**DEFINITION OF TERMS**



**CRIMP SPECIFICATIONS**

The following crimp specifications are based on document AS-33000-001 Rev E:

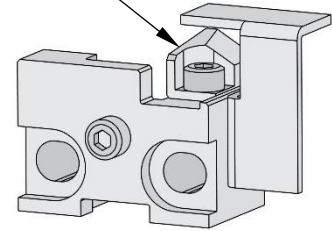
| Feature                          | Requirement  |                     |                  |                  |   |   |     |        |        |             |               |             |               |          |        |                    |               |             |                        |                    |                    |                        |                    |                    |               |                        |                        |                     |               |                        |                     |                     |                    |             |                     |             |               |                        |                     |             |               |             |               |     |                     |             |               |             |               |
|----------------------------------|--|---------------------|------------------|------------------|---|---|-----|--------|--------|-------------|---------------|-------------|---------------|----------|--------|--------------------|---------------|-------------|------------------------|--------------------|--------------------|------------------------|--------------------|--------------------|---------------|------------------------|------------------------|---------------------|---------------|------------------------|---------------------|---------------------|--------------------|-------------|---------------------|-------------|---------------|------------------------|---------------------|-------------|---------------|-------------|---------------|-----|---------------------|-------------|---------------|-------------|---------------|
| <b>1. Bend Up</b>                | 3° Max   |                     |                  |                  |   |   |     |        |        |             |               |             |               |          |        |                    |               |             |                        |                    |                    |                        |                    |                    |               |                        |                        |                     |               |                        |                     |                     |                    |             |                     |             |               |                        |                     |             |               |             |               |     |                     |             |               |             |               |
| <b>2. Bend Down</b>              | 3° Max   |                     |                  |                  |   |   |     |        |        |             |               |             |               |          |        |                    |               |             |                        |                    |                    |                        |                    |                    |               |                        |                        |                     |               |                        |                     |                     |                    |             |                     |             |               |                        |                     |             |               |             |               |     |                     |             |               |             |               |
| <b>3. Twist</b>                  | 3° Max   |                     |                  |                  |   |   |     |        |        |             |               |             |               |          |        |                    |               |             |                        |                    |                    |                        |                    |                    |               |                        |                        |                     |               |                        |                     |                     |                    |             |                     |             |               |                        |                     |             |               |             |               |     |                     |             |               |             |               |
| <b>4. Roll</b>                   | 3° Max   |                     |                  |                  |   |   |     |        |        |             |               |             |               |          |        |                    |               |             |                        |                    |                    |                        |                    |                    |               |                        |                        |                     |               |                        |                     |                     |                    |             |                     |             |               |                        |                     |             |               |             |               |     |                     |             |               |             |               |
| <b>5. Bell Mouth Rear</b>        | 0.30-0.70mm (.012-.028")   |                     |                  |                  |   |   |     |        |        |             |               |             |               |          |        |                    |               |             |                        |                    |                    |                        |                    |                    |               |                        |                        |                     |               |                        |                     |                     |                    |             |                     |             |               |                        |                     |             |               |             |               |     |                     |             |               |             |               |
| <b>6. Bell Mouth Front</b>       | Not Applicable   |                     |                  |                  |   |   |     |        |        |             |               |             |               |          |        |                    |               |             |                        |                    |                    |                        |                    |                    |               |                        |                        |                     |               |                        |                     |                     |                    |             |                     |             |               |                        |                     |             |               |             |               |     |                     |             |               |             |               |
| <b>7. Conductor Brush</b>        | 0.40mm (.016") Max (Not to extend above conductor crimp/transition height)   |                     |                  |                  |   |   |     |        |        |             |               |             |               |          |        |                    |               |             |                        |                    |                    |                        |                    |                    |               |                        |                        |                     |               |                        |                     |                     |                    |             |                     |             |               |                        |                     |             |               |             |               |     |                     |             |               |             |               |
| <b>8. Cut-Off Tab</b>            | 0.50mm (.020") Max   |                     |                  |                  |   |   |     |        |        |             |               |             |               |          |        |                    |               |             |                        |                    |                    |                        |                    |                    |               |                        |                        |                     |               |                        |                     |                     |                    |             |                     |             |               |                        |                     |             |               |             |               |     |                     |             |               |             |               |
| <b>Conductor Crimp</b>           | <table border="1"> <thead> <tr> <th>Wire Type</th> <th>Wire Size</th> <th colspan="2">9. Crimp Height</th> <th colspan="2">10. Crimp Width</th> </tr> </thead> <tbody> <tr> <td>GXL</td> <td>18 AWG</td> <td>1.20-1.30mm</td> <td>.047-.051 in.</td> <td rowspan="8">2.05-2.25mm</td> <td rowspan="8">.081-.089 in.</td> </tr> <tr> <td>TXL</td> <td>18 AWG</td> <td>1.20-1.30mm</td> <td>.047-.051 in.</td> </tr> <tr> <td>ISO</td> <td>1.0mm<sup>2</sup></td> <td>1.25-1.35mm</td> <td>.049-.053 in.</td> </tr> <tr> <td>PSA FTP 00949_10_00769</td> <td>1.0mm<sup>2</sup></td> <td>1.30-1.40mm</td> <td>.051-.055 in.</td> </tr> <tr> <td>FLR91X-A-XLPO</td> <td>1.0mm<sup>2</sup></td> <td>1.30-1.40mm</td> <td>.051-.055 in.</td> </tr> <tr> <td>PSA FTP 00949_10_00769</td> <td>0.75mm<sup>2</sup></td> <td>1.25-1.35mm</td> <td>.049-.053 in.</td> </tr> <tr> <td>ISO</td> <td>0.75mm<sup>2</sup></td> <td>1.20-1.30mm</td> <td>.047-.051 in.</td> </tr> <tr> <td>FLR91X-A-XLPO</td> <td>0.75mm<sup>2</sup></td> <td>1.20-1.30mm</td> <td>.047-.051 in.</td> </tr> </tbody> </table>  | Wire Type           | Wire Size        | 9. Crimp Height  |   | 10. Crimp Width   |     | GXL    | 18 AWG | 1.20-1.30mm | .047-.051 in. | 2.05-2.25mm | .081-.089 in. | TXL      | 18 AWG | 1.20-1.30mm        | .047-.051 in. | ISO         | 1.0mm <sup>2</sup>     | 1.25-1.35mm        | .049-.053 in.      | PSA FTP 00949_10_00769 | 1.0mm <sup>2</sup> | 1.30-1.40mm        | .051-.055 in. | FLR91X-A-XLPO          | 1.0mm <sup>2</sup>     | 1.30-1.40mm         | .051-.055 in. | PSA FTP 00949_10_00769 | 0.75mm <sup>2</sup> | 1.25-1.35mm         | .049-.053 in.      | ISO         | 0.75mm <sup>2</sup> | 1.20-1.30mm | .047-.051 in. | FLR91X-A-XLPO          | 0.75mm <sup>2</sup> | 1.20-1.30mm | .047-.051 in. |             |               |     |                     |             |               |             |               |
|                                  | Wire Type  | Wire Size           | 9. Crimp Height  |                  | 10. Crimp Width   |   |     |        |        |             |               |             |               |          |        |                    |               |             |                        |                    |                    |                        |                    |                    |               |                        |                        |                     |               |                        |                     |                     |                    |             |                     |             |               |                        |                     |             |               |             |               |     |                     |             |               |             |               |
|                                  | GXL  | 18 AWG              | 1.20-1.30mm      | .047-.051 in.    | 2.05-2.25mm   | .081-.089 in.   |     |        |        |             |               |             |               |          |        |                    |               |             |                        |                    |                    |                        |                    |                    |               |                        |                        |                     |               |                        |                     |                     |                    |             |                     |             |               |                        |                     |             |               |             |               |     |                     |             |               |             |               |
|                                  | TXL  | 18 AWG              | 1.20-1.30mm      | .047-.051 in.    |   |   |     |        |        |             |               |             |               |          |        |                    |               |             |                        |                    |                    |                        |                    |                    |               |                        |                        |                     |               |                        |                     |                     |                    |             |                     |             |               |                        |                     |             |               |             |               |     |                     |             |               |             |               |
|                                  | ISO  | 1.0mm <sup>2</sup>  | 1.25-1.35mm      | .049-.053 in.    |   |   |     |        |        |             |               |             |               |          |        |                    |               |             |                        |                    |                    |                        |                    |                    |               |                        |                        |                     |               |                        |                     |                     |                    |             |                     |             |               |                        |                     |             |               |             |               |     |                     |             |               |             |               |
|                                  | PSA FTP 00949_10_00769   | 1.0mm <sup>2</sup>  | 1.30-1.40mm      | .051-.055 in.    |   |   |     |        |        |             |               |             |               |          |        |                    |               |             |                        |                    |                    |                        |                    |                    |               |                        |                        |                     |               |                        |                     |                     |                    |             |                     |             |               |                        |                     |             |               |             |               |     |                     |             |               |             |               |
|                                  | FLR91X-A-XLPO  | 1.0mm <sup>2</sup>  | 1.30-1.40mm      | .051-.055 in.    |   |   |     |        |        |             |               |             |               |          |        |                    |               |             |                        |                    |                    |                        |                    |                    |               |                        |                        |                     |               |                        |                     |                     |                    |             |                     |             |               |                        |                     |             |               |             |               |     |                     |             |               |             |               |
|                                  | PSA FTP 00949_10_00769   | 0.75mm <sup>2</sup> | 1.25-1.35mm      | .049-.053 in.    |   |   |     |        |        |             |               |             |               |          |        |                    |               |             |                        |                    |                    |                        |                    |                    |               |                        |                        |                     |               |                        |                     |                     |                    |             |                     |             |               |                        |                     |             |               |             |               |     |                     |             |               |             |               |
| ISO                              | 0.75mm <sup>2</sup>  | 1.20-1.30mm         | .047-.051 in.    |                  |   |   |     |        |        |             |               |             |               |          |        |                    |               |             |                        |                    |                    |                        |                    |                    |               |                        |                        |                     |               |                        |                     |                     |                    |             |                     |             |               |                        |                     |             |               |             |               |     |                     |             |               |             |               |
| FLR91X-A-XLPO                    | 0.75mm <sup>2</sup>  | 1.20-1.30mm         | .047-.051 in.    |                  |   |   |     |        |        |             |               |             |               |          |        |                    |               |             |                        |                    |                    |                        |                    |                    |               |                        |                        |                     |               |                        |                     |                     |                    |             |                     |             |               |                        |                     |             |               |             |               |     |                     |             |               |             |               |
| <b>Insulation Crimp</b>          | <table border="1"> <thead> <tr> <th>Wire Type</th> <th>Wire Size</th> <th colspan="2">11. Crimp Height</th> <th colspan="2">12. Crimp Width</th> </tr> </thead> <tbody> <tr> <td>GXL</td> <td>18 AWG</td> <td>2.20-2.40mm</td> <td>.087-.094 in.</td> <td>2.50-2.70mm</td> <td>.098-.106 in.</td> </tr> <tr> <td>TXL</td> <td>18 AWG</td> <td>1.90-2.10mm</td> <td>.075-.083 in.</td> <td>2.20-2.40mm</td> <td>.087-.094 in.</td> </tr> <tr> <td>ISO</td> <td>1.0mm<sup>2</sup></td> <td>2.30-2.40mm</td> <td>.091-.094 in.</td> <td>2.20-2.40mm</td> <td>.087-.094 in.</td> </tr> <tr> <td>PSA FTP 00949_10_00769</td> <td>1.0mm<sup>2</sup></td> <td>2.10-2.30mm</td> <td>.083-.091 in.</td> <td>2.20-2.40mm</td> <td>.087-.094 in.</td> </tr> <tr> <td>FLR91X-A-XLPO</td> <td>1.0mm<sup>2</sup></td> <td>2.30-2.40mm</td> <td>.091-.094 in.</td> <td>2.20-2.40mm</td> <td>.087-.094 in.</td> </tr> <tr> <td>PSA FTP 00949_10_00769</td> <td>0.75mm<sup>2</sup></td> <td>2.25-2.35mm</td> <td>.089-.093 in.</td> <td>2.20-2.40mm</td> <td>.087-.094 in.</td> </tr> <tr> <td>ISO</td> <td>0.75mm<sup>2</sup></td> <td>2.25-2.35mm</td> <td>.089-.093 in.</td> <td>2.20-2.40mm</td> <td>.087-.094 in.</td> </tr> </tbody> </table> | Wire Type           | Wire Size        | 11. Crimp Height |   | 12. Crimp Width   |     | GXL    | 18 AWG | 2.20-2.40mm | .087-.094 in. | 2.50-2.70mm | .098-.106 in. | TXL      | 18 AWG | 1.90-2.10mm        | .075-.083 in. | 2.20-2.40mm | .087-.094 in.          | ISO                | 1.0mm <sup>2</sup> | 2.30-2.40mm            | .091-.094 in.      | 2.20-2.40mm        | .087-.094 in. | PSA FTP 00949_10_00769 | 1.0mm <sup>2</sup>     | 2.10-2.30mm         | .083-.091 in. | 2.20-2.40mm            | .087-.094 in.       | FLR91X-A-XLPO       | 1.0mm <sup>2</sup> | 2.30-2.40mm | .091-.094 in.       | 2.20-2.40mm | .087-.094 in. | PSA FTP 00949_10_00769 | 0.75mm <sup>2</sup> | 2.25-2.35mm | .089-.093 in. | 2.20-2.40mm | .087-.094 in. | ISO | 0.75mm <sup>2</sup> | 2.25-2.35mm | .089-.093 in. | 2.20-2.40mm | .087-.094 in. |
|                                  | Wire Type  | Wire Size           | 11. Crimp Height |                  | 12. Crimp Width   |   |     |        |        |             |               |             |               |          |        |                    |               |             |                        |                    |                    |                        |                    |                    |               |                        |                        |                     |               |                        |                     |                     |                    |             |                     |             |               |                        |                     |             |               |             |               |     |                     |             |               |             |               |
|                                  | GXL  | 18 AWG              | 2.20-2.40mm      | .087-.094 in.    | 2.50-2.70mm   | .098-.106 in.   |     |        |        |             |               |             |               |          |        |                    |               |             |                        |                    |                    |                        |                    |                    |               |                        |                        |                     |               |                        |                     |                     |                    |             |                     |             |               |                        |                     |             |               |             |               |     |                     |             |               |             |               |
|                                  | TXL  | 18 AWG              | 1.90-2.10mm      | .075-.083 in.    | 2.20-2.40mm   | .087-.094 in.   |     |        |        |             |               |             |               |          |        |                    |               |             |                        |                    |                    |                        |                    |                    |               |                        |                        |                     |               |                        |                     |                     |                    |             |                     |             |               |                        |                     |             |               |             |               |     |                     |             |               |             |               |
|                                  | ISO  | 1.0mm <sup>2</sup>  | 2.30-2.40mm      | .091-.094 in.    | 2.20-2.40mm   | .087-.094 in.   |     |        |        |             |               |             |               |          |        |                    |               |             |                        |                    |                    |                        |                    |                    |               |                        |                        |                     |               |                        |                     |                     |                    |             |                     |             |               |                        |                     |             |               |             |               |     |                     |             |               |             |               |
|                                  | PSA FTP 00949_10_00769   | 1.0mm <sup>2</sup>  | 2.10-2.30mm      | .083-.091 in.    | 2.20-2.40mm   | .087-.094 in.   |     |        |        |             |               |             |               |          |        |                    |               |             |                        |                    |                    |                        |                    |                    |               |                        |                        |                     |               |                        |                     |                     |                    |             |                     |             |               |                        |                     |             |               |             |               |     |                     |             |               |             |               |
|                                  | FLR91X-A-XLPO  | 1.0mm <sup>2</sup>  | 2.30-2.40mm      | .091-.094 in.    | 2.20-2.40mm   | .087-.094 in.   |     |        |        |             |               |             |               |          |        |                    |               |             |                        |                    |                    |                        |                    |                    |               |                        |                        |                     |               |                        |                     |                     |                    |             |                     |             |               |                        |                     |             |               |             |               |     |                     |             |               |             |               |
|                                  | PSA FTP 00949_10_00769   | 0.75mm <sup>2</sup> | 2.25-2.35mm      | .089-.093 in.    | 2.20-2.40mm   | .087-.094 in.   |     |        |        |             |               |             |               |          |        |                    |               |             |                        |                    |                    |                        |                    |                    |               |                        |                        |                     |               |                        |                     |                     |                    |             |                     |             |               |                        |                     |             |               |             |               |     |                     |             |               |             |               |
| ISO                              | 0.75mm <sup>2</sup>  | 2.25-2.35mm         | .089-.093 in.    | 2.20-2.40mm      | .087-.094 in.   |   |     |        |        |             |               |             |               |          |        |                    |               |             |                        |                    |                    |                        |                    |                    |               |                        |                        |                     |               |                        |                     |                     |                    |             |                     |             |               |                        |                     |             |               |             |               |     |                     |             |               |             |               |
| <b>Pull Force</b>                | <table border="1"> <thead> <tr> <th>Wire Type</th> <th>Wire Size</th> <th colspan="2">Minimum Force</th> <th rowspan="8">To be measured with no influence from the insulation crimp.</th> </tr> </thead> <tbody> <tr> <td>GXL</td> <td>18 AWG</td> <td>90 N</td> <td>20.3 lb.</td> </tr> <tr> <td>TXL</td> <td>18 AWG</td> <td>90 N</td> <td>20.3 lb.</td> </tr> <tr> <td>ISO</td> <td>1.0mm<sup>2</sup></td> <td>90 N</td> <td>20.3 lb.</td> </tr> <tr> <td>PSA FTP 00949_10_00769</td> <td>1.0mm<sup>2</sup></td> <td>90 N</td> <td>20.3 lb.</td> </tr> <tr> <td>FLR91X-A-XLPO</td> <td>1.0mm<sup>2</sup></td> <td>120 N</td> <td>27.0 lb.</td> </tr> <tr> <td>PSA FTP 00949_10_00769</td> <td>0.75mm<sup>2</sup></td> <td>115 N</td> <td>25.9 lb.</td> </tr> <tr> <td>ISO</td> <td>0.75mm<sup>2</sup></td> <td>120 N</td> <td>27.0 lb.</td> </tr> </tbody> </table>   | Wire Type           | Wire Size        | Minimum Force    |   | To be measured with no influence from the insulation crimp. | GXL | 18 AWG | 90 N   | 20.3 lb.    | TXL           | 18 AWG      | 90 N          | 20.3 lb. | ISO    | 1.0mm <sup>2</sup> | 90 N          | 20.3 lb.    | PSA FTP 00949_10_00769 | 1.0mm <sup>2</sup> | 90 N               | 20.3 lb.               | FLR91X-A-XLPO      | 1.0mm <sup>2</sup> | 120 N         | 27.0 lb.               | PSA FTP 00949_10_00769 | 0.75mm <sup>2</sup> | 115 N         | 25.9 lb.               | ISO                 | 0.75mm <sup>2</sup> | 120 N              | 27.0 lb.    |                     |             |               |                        |                     |             |               |             |               |     |                     |             |               |             |               |
|                                  | Wire Type  | Wire Size           | Minimum Force    |                  | To be measured with no influence from the insulation crimp. |   |     |        |        |             |               |             |               |          |        |                    |               |             |                        |                    |                    |                        |                    |                    |               |                        |                        |                     |               |                        |                     |                     |                    |             |                     |             |               |                        |                     |             |               |             |               |     |                     |             |               |             |               |
|                                  | GXL  | 18 AWG              | 90 N             | 20.3 lb.         |   |   |     |        |        |             |               |             |               |          |        |                    |               |             |                        |                    |                    |                        |                    |                    |               |                        |                        |                     |               |                        |                     |                     |                    |             |                     |             |               |                        |                     |             |               |             |               |     |                     |             |               |             |               |
|                                  | TXL  | 18 AWG              | 90 N             | 20.3 lb.         |   |   |     |        |        |             |               |             |               |          |        |                    |               |             |                        |                    |                    |                        |                    |                    |               |                        |                        |                     |               |                        |                     |                     |                    |             |                     |             |               |                        |                     |             |               |             |               |     |                     |             |               |             |               |
|                                  | ISO  | 1.0mm <sup>2</sup>  | 90 N             | 20.3 lb.         |   |   |     |        |        |             |               |             |               |          |        |                    |               |             |                        |                    |                    |                        |                    |                    |               |                        |                        |                     |               |                        |                     |                     |                    |             |                     |             |               |                        |                     |             |               |             |               |     |                     |             |               |             |               |
|                                  | PSA FTP 00949_10_00769   | 1.0mm <sup>2</sup>  | 90 N             | 20.3 lb.         |   |   |     |        |        |             |               |             |               |          |        |                    |               |             |                        |                    |                    |                        |                    |                    |               |                        |                        |                     |               |                        |                     |                     |                    |             |                     |             |               |                        |                     |             |               |             |               |     |                     |             |               |             |               |
|                                  | FLR91X-A-XLPO  | 1.0mm <sup>2</sup>  | 120 N            | 27.0 lb.         |   |   |     |        |        |             |               |             |               |          |        |                    |               |             |                        |                    |                    |                        |                    |                    |               |                        |                        |                     |               |                        |                     |                     |                    |             |                     |             |               |                        |                     |             |               |             |               |     |                     |             |               |             |               |
|                                  | PSA FTP 00949_10_00769   | 0.75mm <sup>2</sup> | 115 N            | 25.9 lb.         |   |   |     |        |        |             |               |             |               |          |        |                    |               |             |                        |                    |                    |                        |                    |                    |               |                        |                        |                     |               |                        |                     |                     |                    |             |                     |             |               |                        |                     |             |               |             |               |     |                     |             |               |             |               |
| ISO                              | 0.75mm <sup>2</sup>  | 120 N               | 27.0 lb.         |                  |   |   |     |        |        |             |               |             |               |          |        |                    |               |             |                        |                    |                    |                        |                    |                    |               |                        |                        |                     |               |                        |                     |                     |                    |             |                     |             |               |                        |                     |             |               |             |               |     |                     |             |               |             |               |
| <b>13. Conductor Anvil Flash</b> | 0.22mm (.009") Max   |                     |                  |                  |   |   |     |        |        |             |               |             |               |          |        |                    |               |             |                        |                    |                    |                        |                    |                    |               |                        |                        |                     |               |                        |                     |                     |                    |             |                     |             |               |                        |                     |             |               |             |               |     |                     |             |               |             |               |
| <b>14. Insulation Grip Step</b>  | 0.20-0.30mm (.008-.012")   |                     |                  |                  |   |   |     |        |        |             |               |             |               |          |        |                    |               |             |                        |                    |                    |                        |                    |                    |               |                        |                        |                     |               |                        |                     |                     |                    |             |                     |             |               |                        |                     |             |               |             |               |     |                     |             |               |             |               |
| <b>15. Crimp Bulge</b>           | 2.65mm (.104") Max within the crimp/transition area  |                     |                  |                  |   |   |     |        |        |             |               |             |               |          |        |                    |               |             |                        |                    |                    |                        |                    |                    |               |                        |                        |                     |               |                        |                     |                     |                    |             |                     |             |               |                        |                     |             |               |             |               |     |                     |             |               |             |               |

## NOTES

### Applicator Notes

- This applicator is for automatic wire processor use only.
- This applicator does not include a cutting insert.
- Installing a cutting insert will cause jamming in this applicator.

CUTTING INSERT



### Specification Notes

- It is very important that the brush length is consistently within specification for this sealed connector system to work properly.
- This applicator should only be run in a properly set up wire processor to consistently achieve the brush length.

### General Notes

1. Molex recommends that an extra perishable tooling kit be maintained at your facility.
2. Verify tooling alignment by hand cycling the press and applicator before crimping under power. Check that all screws are tight.
3. Slugs, terminals, dirt and oil should be kept clear of the work area.
4. Wear safety glasses at all times.
5. For recommended maintenance, refer to the FA2 manual (TM-638080200).
6. Molex recommends crimping standard copper wire only.
7. Lubrication must be used when crimping gold and select gold terminals to prevent terminals from sticking in the conductor punch. Use 63801-7240 oiler or equivalent.

## WARNINGS

**CAUTION:** This applicator must be installed in a press with a standard shut height of 135.80mm (5.346"). Tooling damage could result at a lower setting.

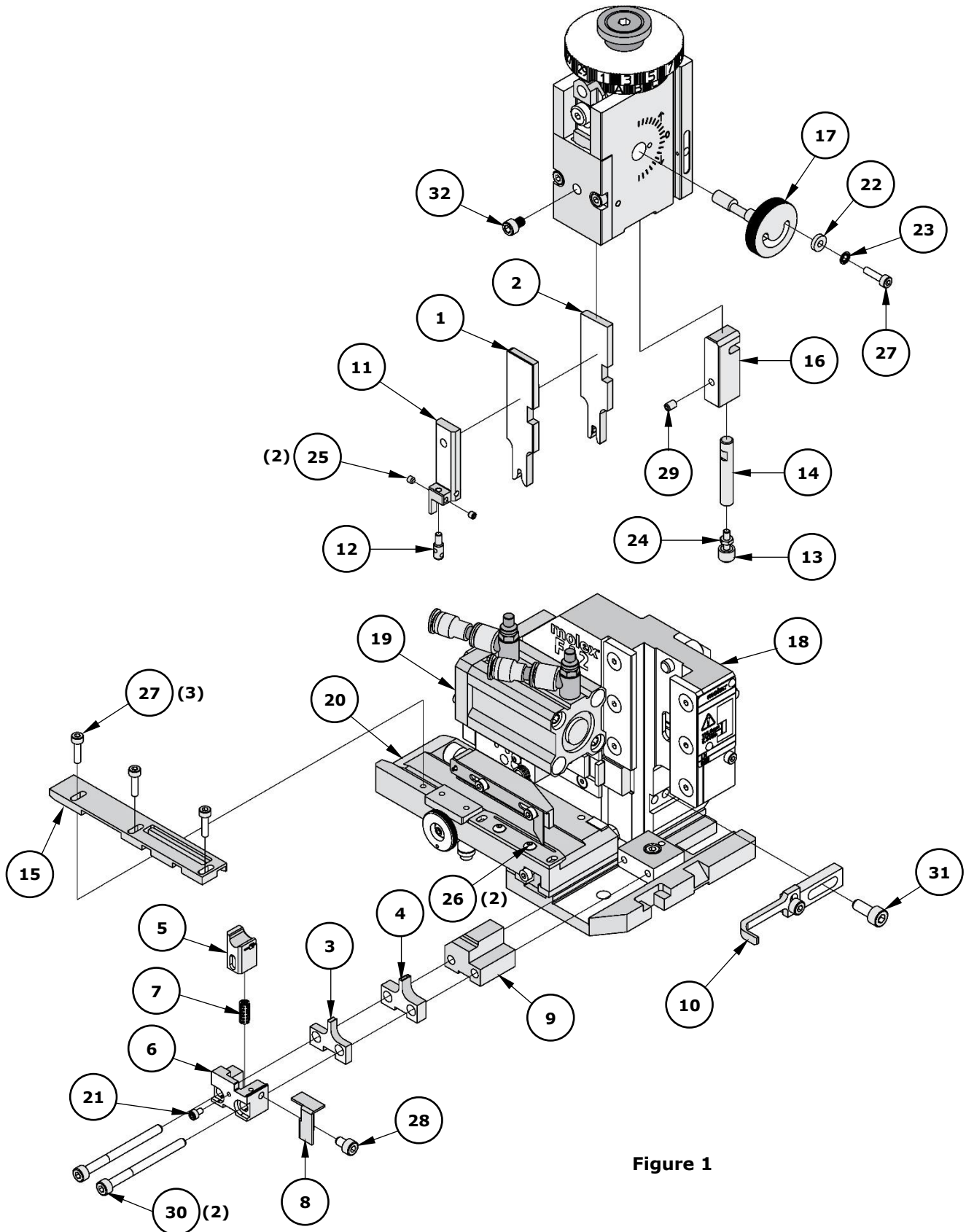
**CAUTION:** To prevent injury, never operate this applicator without the guards supplied with the press or wire-processing machine in place. Reference the press or wire processing manufacturer's instruction manual.

**CAUTION:** Molex tooling crimp specifications are valid only when used with Molex terminals and tooling manufactured by Molex and sold by Molex or authorized distributors ("Molex Tooling"). When using tooling other than Molex Tooling with Molex-specific connector systems listed in our ATS documents, the Molex Tooling qualification does not apply, and the responsibility for full qualification of the connector system is that of the customer. Molex accepts no liability for connector performance or tooling support where tooling other than Molex Tooling is used or where Molex Tooling is modified.

**PARTS LIST**

| <b>Applicator 63808-2910</b>  |                  |                        |                            |                 |
|---|------------------|------------------------|----------------------------|-----------------|
| <b>Item</b>   | <b>Order No.</b> | <b>Engineering No.</b> | <b>Description</b>         | <b>Quantity</b> |
| <b>Perishable Tooling</b>   |                  |                        |                            |                 |
|   | 63808-2970       | 63808-2970             | Tool Kit (All "Y" Items)   | Ref             |
| 1   | 63454-0048       | 63454-0048             | Insulation Punch           | 1 Y             |
| 2   | 63457-0117       | 63457-0117             | Conductor Punch            | 1 Y             |
| 3   | 63456-0124       | 63456-0124             | Insulation Anvil           | 1 Y             |
| 4   | 63455-0145       | 63455-0145             | Conductor Anvil            | 1 Y             |
| 5   | 63443-0034       | 63443-0034             | Cut-Off Plunger            | 1 Y             |
| <b>Non-Perishable Components</b>  |                  |                        |                            |                 |
| 6   | 63443-0128       | 63443-0128             | Front Plunger Retainer     | 1               |
| 7   | 11-24-1067       | 4996-4                 | Cut-Off Plunger Spring     | 1               |
| 8   | 63443-0117       | 63443-0117             | Front Scrap Chute          | 1               |
| 9   | 63443-7502       | 63443-7502             | Anvil Mount                | 1               |
| 10  | 63443-0090       | 63443-0090             | Wire Stop                  | 1               |
| 11  | 63443-3601       | 63443-3601             | Front Plunger Striker      | 1               |
| 12  | 63443-3702       | 63443-3702             | Wire Hold Down Plunger     | 1               |
| 13  | 63600-5776       | 63600-5776             | Nose Hold Down             | 1               |
| 14  | 63600-5775       | 63600-5775             | Nose Hold Down Shank       | 1               |
| 15  | 63443-4714       | 63443-4714             | Terminal Guide             | 1               |
| 16  | 63443-7403       | 63443-7403             | Hold Down Block            | 1               |
| 17  | 63808-0229       | 63808-0229             | Bend Adjust Dial           | 1               |
| <b>Frame</b>  |                  |                        |                            |                 |
| 18  | 63808-0200       | 63808-0200             | Applicator Core            | 1               |
| 19  | 63808-0196       | 63808-0196             | Pneumatic Feed             | 1               |
| 20  | 63808-0190       | 63808-0190             | Track                      | 1               |
| <b>Hardware</b>   |                  |                        |                            |                 |
| 21  | —                | —                      | M2.5 x 4 SHCS              | 1*              |
| 22  | —                | —                      | M3 Flat Washer Hard        | 1*              |
| 23  | —                | —                      | M3 Inner Tooth Lock Washer | 1*              |
| 24  | —                | —                      | M3 Hex Nut                 | 1*              |
| 25  | —                | —                      | M3 x 3 SSS                 | 2*              |
| 26  | —                | —                      | M3 x 6 BHCS                | 2*              |
| 27  | —                | —                      | M3 x 12 SHCS               | 4*              |
| 28  | —                | —                      | M4 x 6 SHCS                | 1*              |
| 29  | —                | —                      | M4 x 6 SSS                 | 1*              |
| 30  | —                | —                      | M4 x 50 SHCS               | 2*              |
| 31  | —                | —                      | M5 x 12 SHCS               | 2*              |
| 32  | —                | —                      | #10-32UNF x .25" SHCS      | 1*              |
| *Fastener parts can be purchased through most industrial suppliers by using the description in the table above. |                  |                        |                            |                 |

**ASSEMBLY DRAWING**



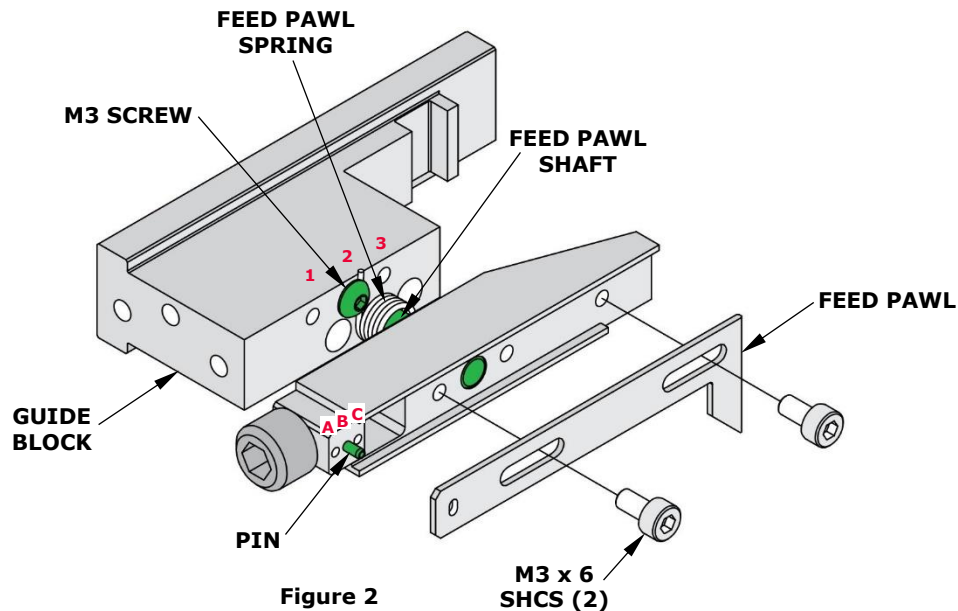
**Figure 1**

## FACTORY SETTINGS

### Feed Pawl Assembly

The FA2 applicator number 63808-2910 ships with the following factory settings. See Figure 2:

- The feed pawl shaft and M3 screw that holds the feed pawl spring are in position 2.
- The pin is in position B.

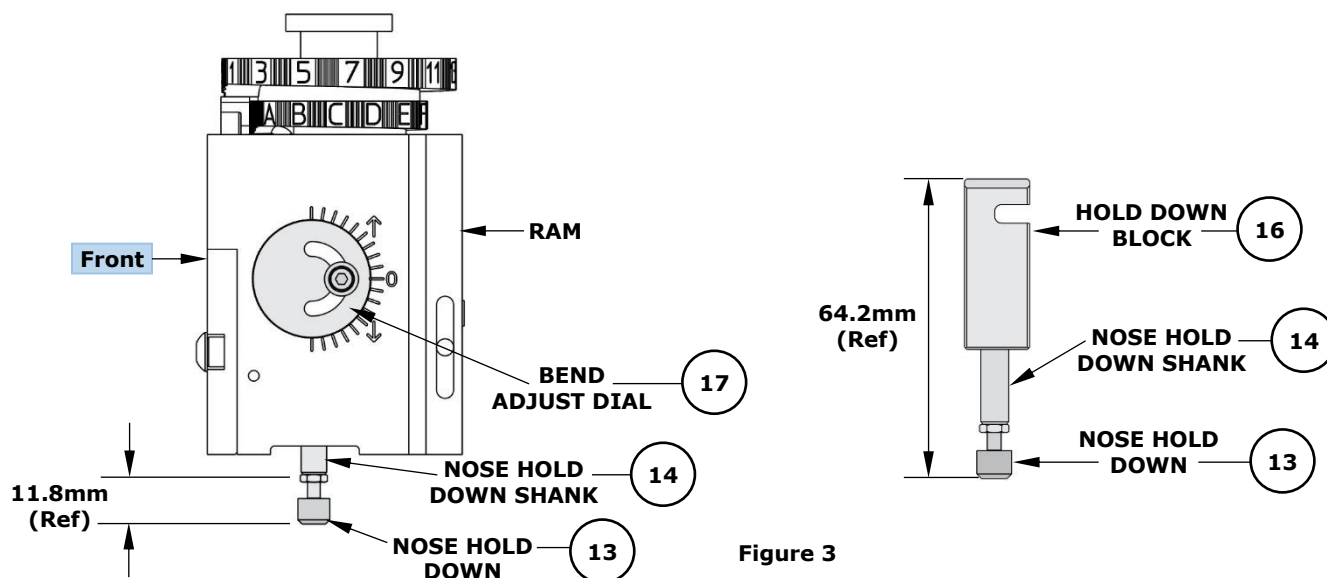


#### Note

This information is included as a reference only. Each applicator is configured and tested by Molex prior to shipping, and the above settings were used to produce the included sample crimps.

### Third Dial/Ram Assembly

○ Indicates item number on the Parts List and Assembly Drawing



## PNEUMATIC CONNECTION (AIR FEED)

- The pneumatic feed applicator uses a double-acting air cylinder that must be actuated by a 4-way pneumatic valve.
- The air cylinder is equipped with push-in fittings for 6mm diameter vinyl or Nylon tube. Adapters are included for ¼" diameter and 4mm diameter vinyl or Nylon tube.

**Note:** The TM-3000 and TM-4000 presses have pneumatic valves with ¼" diameter tube fittings. Be sure to install the ¼" diameter adapters in the air cylinder fittings and use ¼" diameter vinyl or Nylon tube.

- Pneumatic tubes must be connected as shown in Figure 4. Tubes are typically connected so the terminal feed is forward when the applicator ram is up.
- When using the TM-3000 or TM-4000 presses, connect the tubes to the press pneumatic valve as shown in Figure 5.

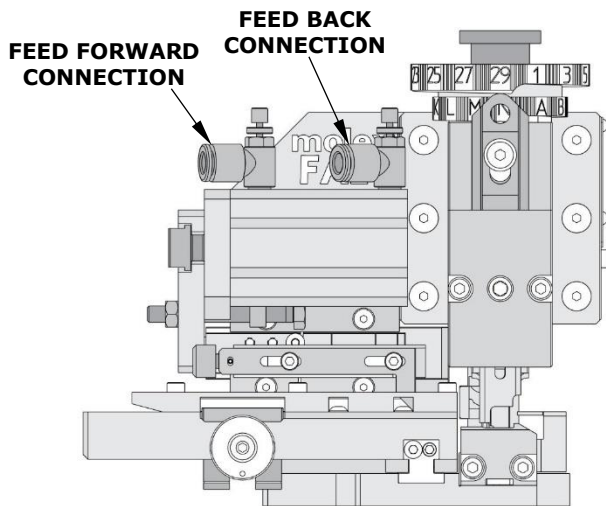


Figure 4

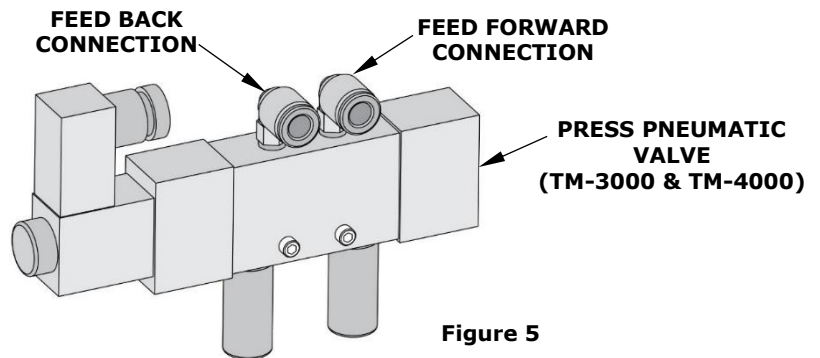


Figure 5

### Application Tooling Support

**Phone:** (402) 458-TOOL (8665)  
**E-Mail:** [toolingsupport@molex.com](mailto:toolingsupport@molex.com)  
**Website:** [www.molex.com/applicationtooling](http://www.molex.com/applicationtooling)

Molex is a registered trademark of Molex, LLC in the United States of America and may be registered in other countries; all other trademarks listed herein belong to their respective owners.