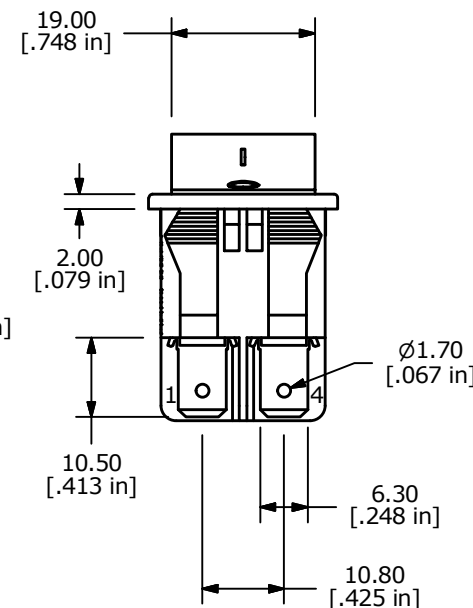
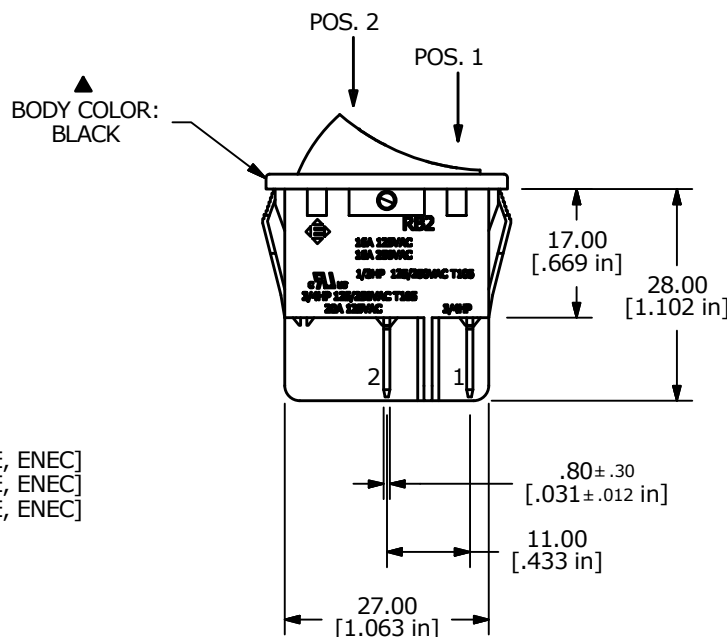


SWITCH FUNCTION	
POS. 1	POS. 2
OFF	ON
OPEN	2-1, 5-4



- NOTE:**
- DIMENSIONS IN MM [INCH]
 - GENERAL TOLERANCE: X.X = ± 0.4
X.XX = ± 0.25
 - TERMINAL NUMBERS FOR REF ONLY
 - CONTACT MATERIAL: SILVER
 - CONTACT RATINGS: 16A @ 125/250VAC [cURus]
20A @ 125/250VAC [cURus]
1/3HP 125/250VAC T105 [cURus]
3/4HP 125/250VAC T105 [cURus]
16(4)A 250V~ 1E4 T125/55 [VDE, ENEC]
10(2)A 250V~ 5E4 T125/55 [VDE, ENEC]
16(8)A 250V~ 1E4 T125/55 [VDE, ENEC]
 - CONTACT RESISTANCE: 20mΩ MAX. INITIAL
 - INSULATION RESISTANCE: 100MΩ MIN. @ 500VDC
 - DIELECTRIC STRENGTH: 1,000VAC FOR 1 MINUTE
 - ELECTRICAL LIFE: 6,000 CYCLES [cURus]
 - OPERATING TEMPERATURE: -20°C TO 55°C [cURus]
 - ▲ DENOTES CRITICAL PARAMETER
 - 2002/95/EC (ROHS) COMPLIANT
 - ILLUMINATION: NEON LAMP
 - ▲ 14. ILLUMINATION VOLTAGE: 250V

TITLE RB242D1021-127				
SCALE	DATE	DR	DWG	REV
1:1	8/28/2014	rc	14-RB242D1021127	B

B	21977	UPDATE NOTE 5	9/10/15	MW
A	21559	RELEASE FOR PRODUCTION	8/28/14	rc
REV	PCR NO	DESCRIPTION	DATE	BY

THE INFORMATION CONTAINED IN THIS DOCUMENT IS PROPRIETARY TO E-SWITCH AND IS NOT TO BE COPIED OR TRANSFERRED