

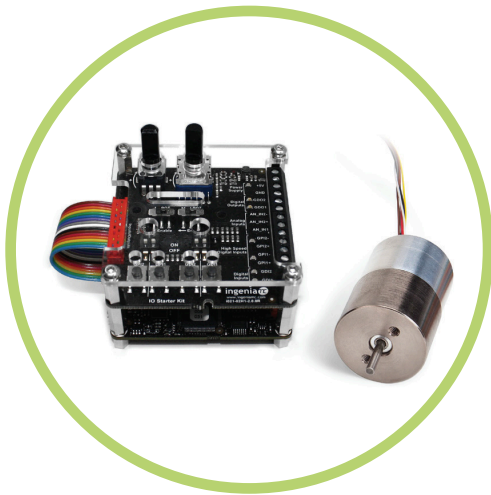
# VOICE COIL ACTUATOR (VCA) DEVELOPER'S KIT

Complete VCA and Driver Kit for Custom Actuation System

## Product Description

The Voice Coil Actuator (VCA) Developer's Kit from BEI Kimco is a completely self-contained kit including a VCA with built-in feedback sensor and a programmable controller with motion control software that runs on the user's local PC. The kit allows users to take advantage of the inherent benefits of VCAs without needing to separately specify the necessary electronics for a complete control system.

Using this invaluable device, customers can quickly develop an actuation system and demonstrate a working design concept. Users can control velocity, position, force, oscillation, and acceleration in applications such as valve control, beam steering, clamping, and multi-axis servo control, when using multiple controllers. The controller has been upgraded to include an I/O board, improving its functionality by allowing users to easily interface with the controller to adjust commands given to the VCA. The I/O board features: 4 digital inputs, 1 LED per digital input and 2 analog inputs.



Six models of VCAs are available for use in the developer's kit. Each VCA is paired with the appropriate controller PCBA that is recommended to drive the particular VCA. The controller can operate in open or closed loop modes, is internally compensated for high linearity, and supports coordinated multi-axis applications. A flash drive is included in the kit which provides the necessary links to all software and set-up instructions, including driver downloads, user manual, specification sheets for the VCA's and a configuration file that can be used to drive the VCA for easy start-up.

The customized MotionLab software program by Ingenia Motion Control provides a simplified programming environment and example programs such as program flow, motion, oscillation, timers, memory and I/O access. An oscillation motion test is available for simple built-in self-testing capability.

## Kit Contents

- VCA (see following chart for ordering options)
- Pluto or Jupiter digital servo drive (Pluto shown)
- I/O ribbon cable
- USB 2.0 A male to USB micro B male cable
- Key flash drive



## About Voice Coil Actuators (VCA)

VCAs are direct-drive, cog-free devices used for providing highly accurate linear or rotary motion. By virtue of their high acceleration and the absence of commutation, VCAs offer numerous advantages in such applications as medical, semiconductor and industrial controls or systems that demand high precision. They offer virtually unlimited resolution, restricted only by the position feedback system. Additionally they come to stop points with high speed and accuracy. VCAs are also a 'clean' technology, well-suited to those applications requiring such operation.



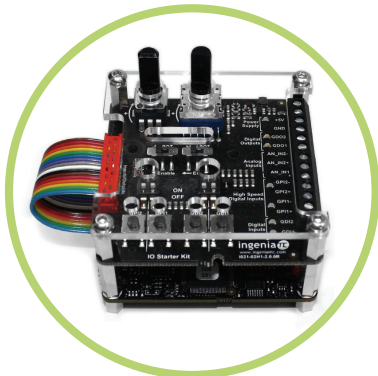
# SPECIFICATIONS

## VCA Developer's Kit Configurations

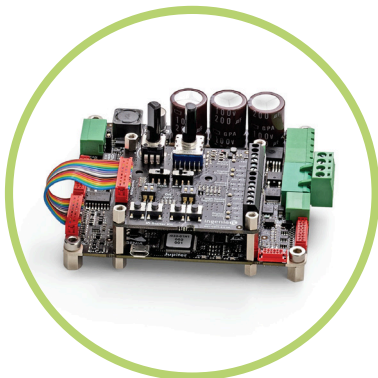
	<b>DK-LAS13-18-000A-P01-3E</b>	<b>DK-LAS13-56-000A-P01-6E</b>	<b>DK-LAS16-23-000A-P01-4E</b>	<b>DK-LAS22-42-000A-P01-6E</b>	<b>DK-LAS28-53-000A-P01-12E</b>	<b>DK-LAS43-88-000A-P01-10E</b>
<b>Body Diameter</b>	1.245" 31.62 mm	1.3" 33 mm	1.575" 40.01 mm	2.2" 55.9 mm	2.76" 70.1 mm	4.3" 109.2 mm
<b>Body Length</b>	1.8" 45.72 mm	5.6" 142.2 mm	2.3" 58.42 mm	4.2" 106.7 mm	5.35" 135.89 mm	8.8" 223.5 mm
<b>Peak Force</b>	3.5 lbs 15.57 N	21.9 lbs 97.36 N	20 lbs 89.0 N	24 lbs 106.7 N	60 lbs 266.9 N	340 lbs 1512.4 N
<b>Current at Peak Force</b>	1.59 A	2.75 A	7.02 A	10.4 A	13.16 A	20 A
<b>Continuous Stall Force</b>	0.76 lbs 3.4 N	5.19 lbs 23.1 N	3.82 lbs 17 N	4.41 lbs 29.6 N	13.5 lbs 60.1 N	86.9 lbs 386.7 N
<b>Total Stroke</b>	0.25" 6.36 mm	0.5" 12.8 mm	0.24" 6.08 mm	1" 25.4 mm	0.984" 25 mm	1.25" 31.74 mm
<b>Resolution</b>	10 μ	20 μ	10 μ	40 μ	40 μ	50 μ

VCA Developer's Kit part numbers are listed above and offer six VCA model options. The specifications in this table apply to the VCA unit. For full VCA specifications, visit [www.beikimco.com/motor-products/VCA-voice-coil-actuator-developers-kit](http://www.beikimco.com/motor-products/VCA-voice-coil-actuator-developers-kit).

Pluto Servo Drive



Jupiter Servo Drive



## Digital Servo Drive Specifications

	<b>Pluto Servo Drive</b>	<b>Jupiter Servo Drive</b>
<b>Full PID Control</b>	Current/Torque Servo Loop Velocity Servo Loop Position Servo Loop Operating Modes	Current/Torque Servo Loop Velocity Servo Loop Position Servo Loop Operating Modes
<b>Communications</b>	USB 2.0 CANopen	USB 2.0 RS485 CANopen
<b>Inputs and Outputs</b>	4x digital inputs 2x analog inputs (12 bits) 2x digital outputs	4x digital inputs 2x analog inputs (12 bits) 2x digital outputs
<b>Supply Voltage*</b>	12 VDC to 48 VDC	10 VDC to 80 VDC
<b>Dimensions</b>	60mm X 60mm x 51mm	100mm x 100mm x 49mm
<b>Weight</b>	90g	200g

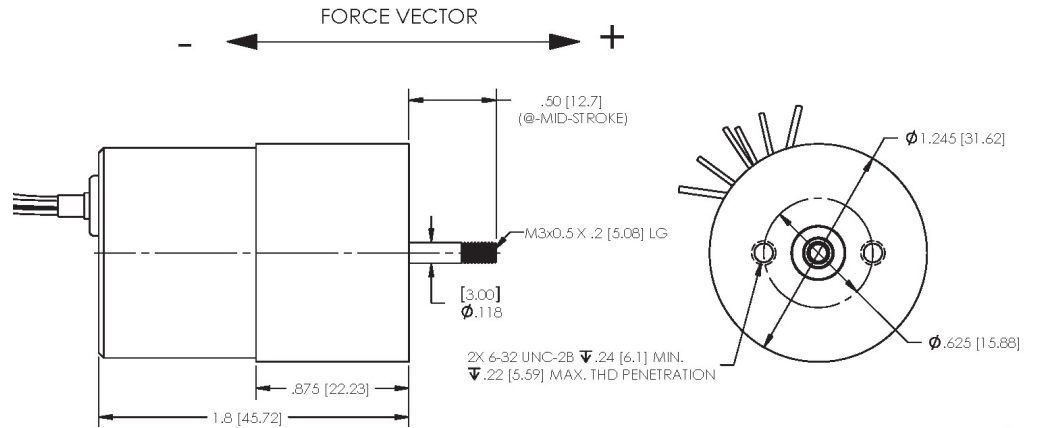
The BEI Kimco VCA Developer's Kit is supplied with a Pluto Digital Servo Drive by Ingenia Motion Control. This is an open frame, compact miniature DC servo drive.

\*Customer must provide the power supply.



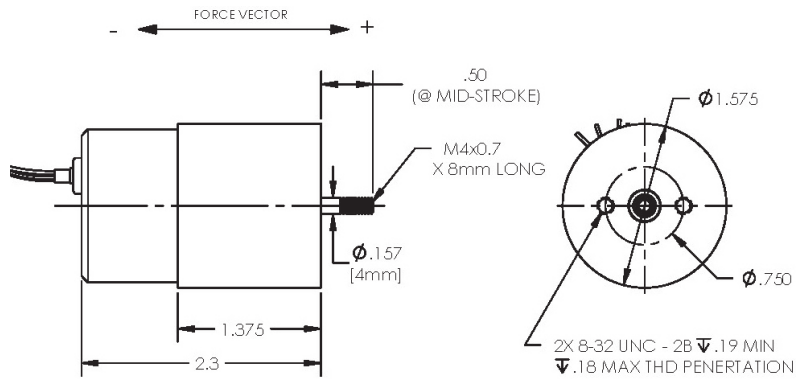
**DK-LAS13-18-000A-P01-3E**

(DASH)#	Shaft End Configuration
-3S	3mm Diameter
-3E	3mm Diameter External Thread M3x0.5x0.2 (5.08mm) long



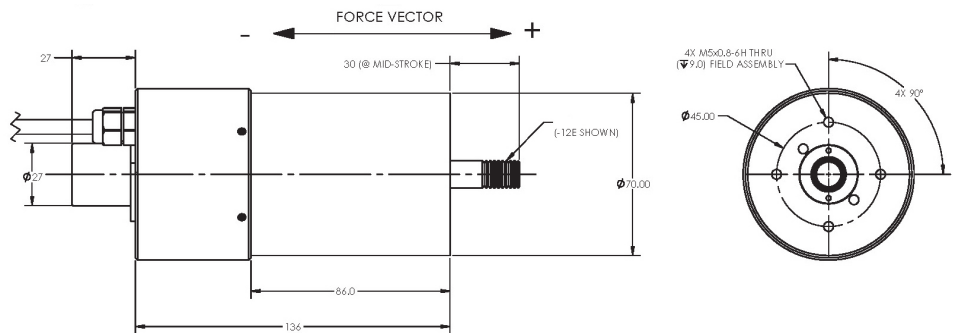
**DK-LAS16-23-000A-P01-4E**

(DASH)#	Shaft End Configuration
-4S	4mm Diameter
-4E	4mm Diameter External Thread M4x0.7x8mm long



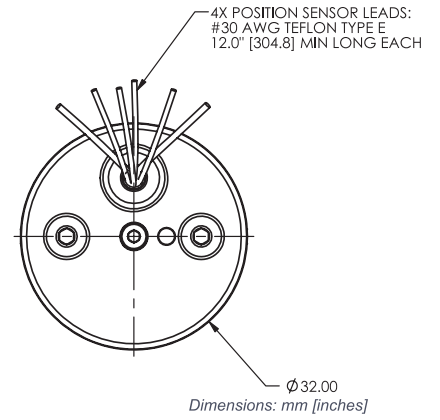
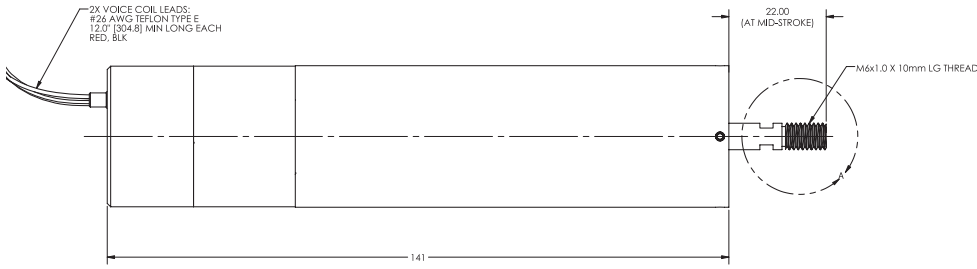
**DK-LAS28-53-000A-P01-12E**

(DASH)#	Shaft End Configuration
-12S	12mm Diameter
-12I	12mm Diameter Internal Thread M8x-1.25x16mm deep
-12E	12mm Diameter, External Thread m12x1.75x16mm long



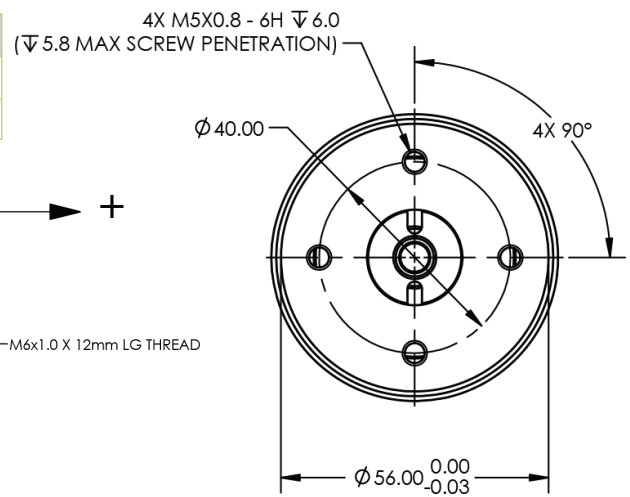
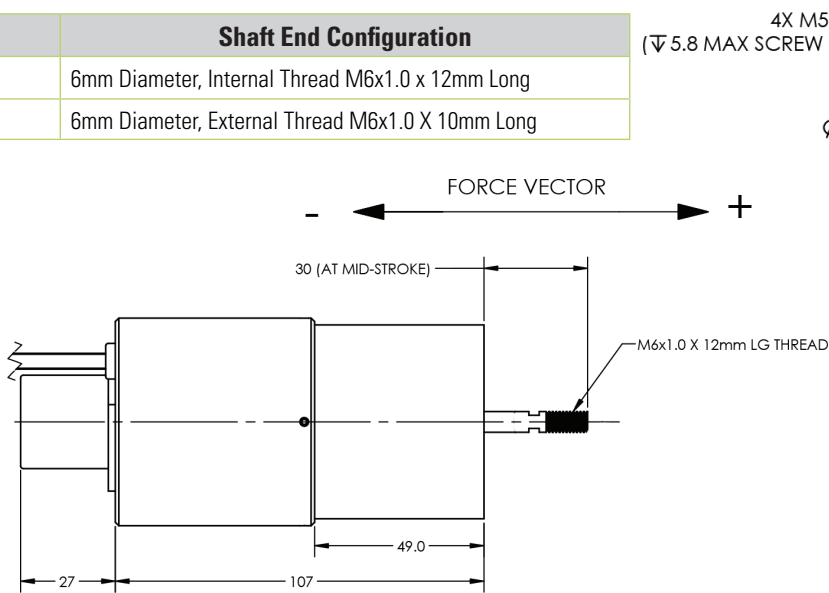
DK-LAS13-56-000A-P01-6E

(DASH)#	Shaft End Configuration
6I	6mm Diameter, Internal Thread M4x0.7 X 10 mm Deep
6E	6mm Diameter, External Thread M6x1.0 X 10mm Long

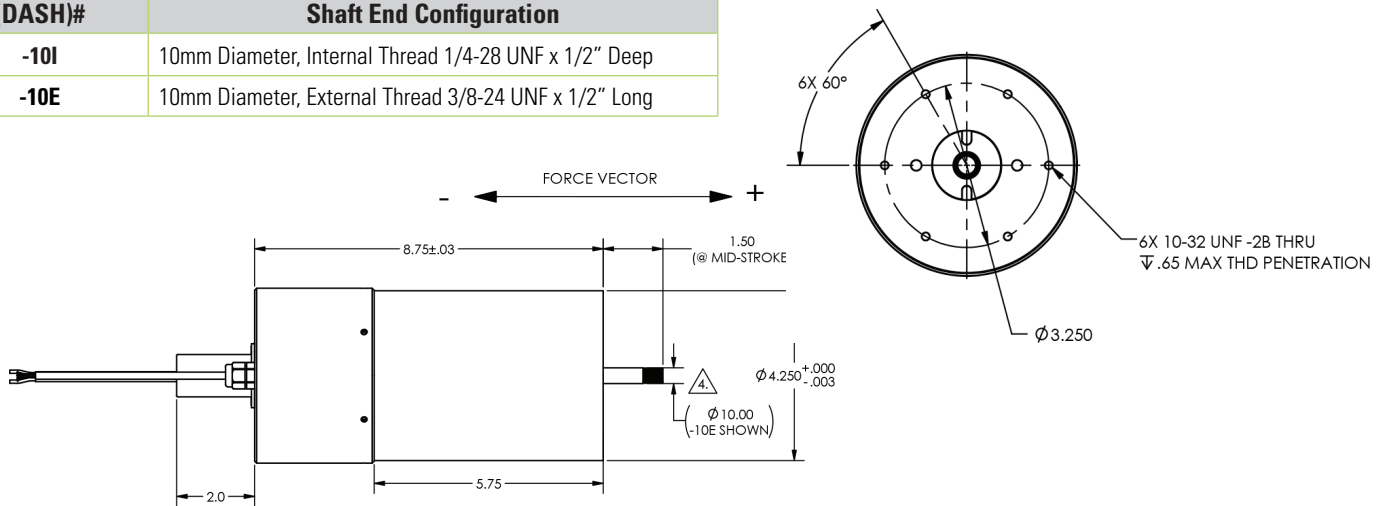


DK-LAS22-42-000A-P01-6E

(DASH)#	Shaft End Configuration
6I	6mm Diameter, Internal Thread M6x1.0 x 12mm Long
6E	6mm Diameter, External Thread M6x1.0 X 10mm Long



(DASH)#	Shaft End Configuration
-10I	10mm Diameter, Internal Thread 1/4-28 UNF x 1/2" Deep
-10E	10mm Diameter, External Thread 3/8-24 UNF x 1/2" Long



Revised 12/28/17

Sensata Technologies, Inc. ("Sensata") data sheets are solely intended to assist designers ("Buyers") who are developing systems that incorporate Sensata products (also referred to herein as "components"). Buyer understands and agrees that Buyer remains responsible for using its independent analysis, evaluation and judgment in designing Buyer's systems and products. Sensata data sheets have been created using standard laboratory conditions and engineering practices. Sensata has not conducted any testing other than that specifically described in the published documentation for a particular data sheet. Sensata may make corrections, enhancements, improvements and other changes to its data sheets or components without notice.

Buyers are authorized to use Sensata data sheets with the Sensata component(s) identified in each particular data sheet. HOWEVER, NO OTHER LICENSE, EXPRESS OR IMPLIED, BY ESTOPPEL OR OTHERWISE TO ANY OTHER SENSATA INTELLECTUAL PROPERTY RIGHT, AND NO LICENSE TO ANY THIRD PARTY TECHNOLOGY OR INTELLECTUAL PROPERTY RIGHT, IS GRANTED HEREIN. SENSATA DATA SHEETS ARE PROVIDED "AS IS". SENSATA MAKES NO WARRANTIES OR REPRESENTATIONS WITH REGARD TO THE DATA SHEETS OR USE OF THE DATA SHEETS, EXPRESS, IMPLIED OR STATUTORY, INCLUDING ACCURACY OR COMPLETENESS. SENSATA DISCLAIMS ANY WARRANTY OF TITLE AND ANY IMPLIED WARRANTIES OF MERCHANTABILITY, FITNESS FOR A PARTICULAR PURPOSE, QUIET ENJOYMENT, QUIET POSSESSION, AND NON-INFRINGEMENT OF ANY THIRD PARTY INTELLECTUAL PROPERTY RIGHTS WITH REGARD TO SENSATA DATA SHEETS OR USE THEREOF.

All products are sold subject to Sensata's terms and conditions of sale supplied at [www.sensata.com](http://www.sensata.com) SENSATA ASSUMES NO LIABILITY FOR APPLICATIONS ASSISTANCE OR THE DESIGN OF BUYERS' PRODUCTS. BUYER ACKNOWLEDGES AND AGREES THAT IT IS SOLELY RESPONSIBLE FOR COMPLIANCE WITH ALL LEGAL, REGULATORY AND SAFETY-RELATED REQUIREMENTS CONCERNING ITS PRODUCTS, AND ANY USE OF SENSATA COMPONENTS IN ITS APPLICATIONS, NOTWITHSTANDING ANY APPLICATIONS-RELATED INFORMATION OR SUPPORT THAT MAY BE PROVIDED BY SENSATA.

Mailing Address: Sensata Technologies, Inc., 529 Pleasant Street, Attleboro, MA 02703, USA.

## CONTACT US

### Americas

+1 (760) 597 7042  
[sales.beikimco@sensata.com](mailto:sales.beikimco@sensata.com)

### Europe, Middle East & Africa

+1 (760) 597 7042  
[motors-info.eu@sensata.com](mailto:motors-info.eu@sensata.com)

### Asia Pacific

[sales.isasia@list.sensata.com](mailto:sales.isasia@list.sensata.com)  
 China +86 (21) 2306 1500  
 Japan +81 (45) 277 7117  
 Korea +82 (31) 601 2004  
 India +91 (80) 67920890  
 Rest of Asia +886 (2) 27602006  
 ext 2808