**Product number C11518\_LOTTA-A**

Family	Lotta	FWHM	168 degrees
Type	Lens	Efficiency	88 %
LED	LUXEON Rebel	cd/lm	-
Color	Clear	Gerber File	Available
Diameter	19.6+15.4 mm		
Height	3.65 mm		
Style	Rectang		
Optic Material	PMMA		
Holder Material	-		
Fastening	["tape", "screw"]		
Status	Production ready		

**Product number CA11519\_LOTTA-A**

Family	Lotta	FWHM	168 degrees
Type	Assembly	Efficiency	81 %
LED	LUXEON Rebel	cd/lm	-
Color	Clear	Gerber File	Available
Diameter	19.6+15.4 mm		
Height	3.8 mm		
Style	Rectang		
Optic Material	PMMA		
Holder Material	-		
Fastening	["screw", "tape"]		
Status	Production ready		

**NOTE: The typical divergence will be changed by different color, chip size and chip position tolerance. The typical total divergence is the full angle measured where the luminous intensity is half of the peak value.**



## PRODUCT DATASHEET

### Lotta series

last update 26/6/2013

#### GENERAL INFORMATION

- Product series especially designed & optimized for LUXEON Rebel series of LEDs.
- Special care taken to make light distribution as uniform as possible.
- Lens material optical grade PMMA with high UV and temperature resistance. Allows use of high current and temperature conditions.

Please find more information about used material from below:

[http://ledil.fi/sites/default/files/Documents/Technical/Material/PMMA%20N%20UL94\\_Yellow%20Card.pdf](http://ledil.fi/sites/default/files/Documents/Technical/Material/PMMA%20N%20UL94_Yellow%20Card.pdf)

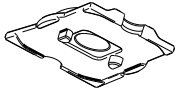
<http://ledil.fi/sites/default/files/Documents/Technical/Material/PMMA%20N%20PLEXIGLAS-Datasheet.pdf>

D

C

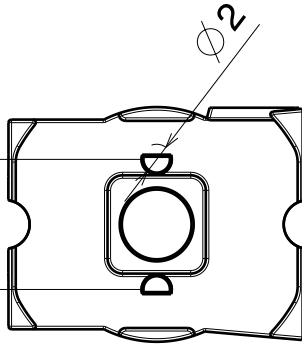
B

A



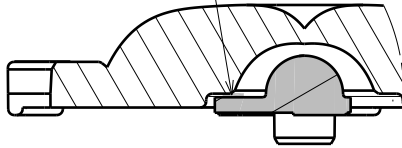
Isometric view  
Scale: 1:1

8.6  
c/c

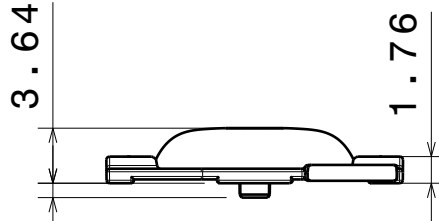


Bottom view  
Scale: 2:1

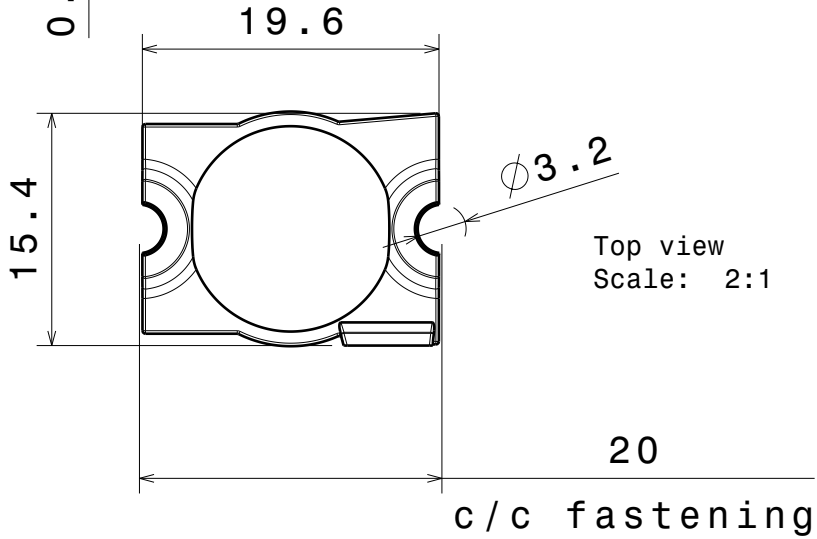
Fail diode  
in Rebel-ES



Section view  
with Rebel-ES



Front view  
Scale: 2:1



Top view  
Scale: 2:1

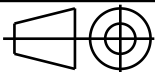
INDEX	PART NO	DESCRIPTION	MATERIAL	COLOUR
1	C11518	LOTTA-A	PMMA	

Tolerances if not otherwise shown  
According to DIN ISO 2768-1  
Linear measures:  
Up to 30mm class M, otherwise class C.  
According to DIN ISO 2768-2  
Form and position: class L



Ledil Oy  
Salorankatu 10  
FIN 24240 SALO  
Finland

THIRD ANGLE PROJECTION:



DRAWING TITLE

C11518\_LOTTA-A

This drawing is the property  
of LEDiL Oy. It may not be  
reproduced, copied or  
communicated without a written  
agreement with LEDiL Oy.

SIZE PART NUMBER

A4

C11518

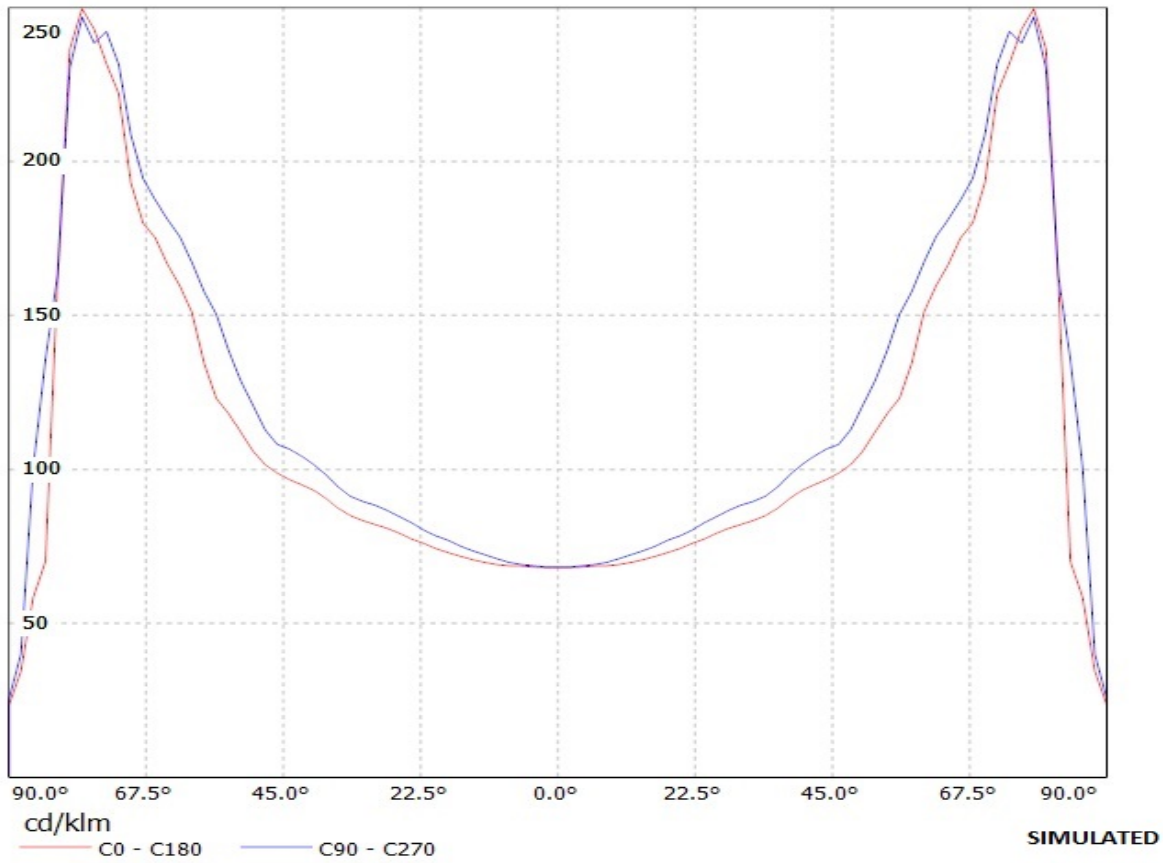
SCALE	1:1	WEIGHT	0,6 g	SHEET	1/1
-------	-----	--------	-------	-------	-----

D

A

# Ledil Oy CA11519\_Lotta-A-RE-tape CA11519\_Lotta-A-RE-tape / LDC (Linear)

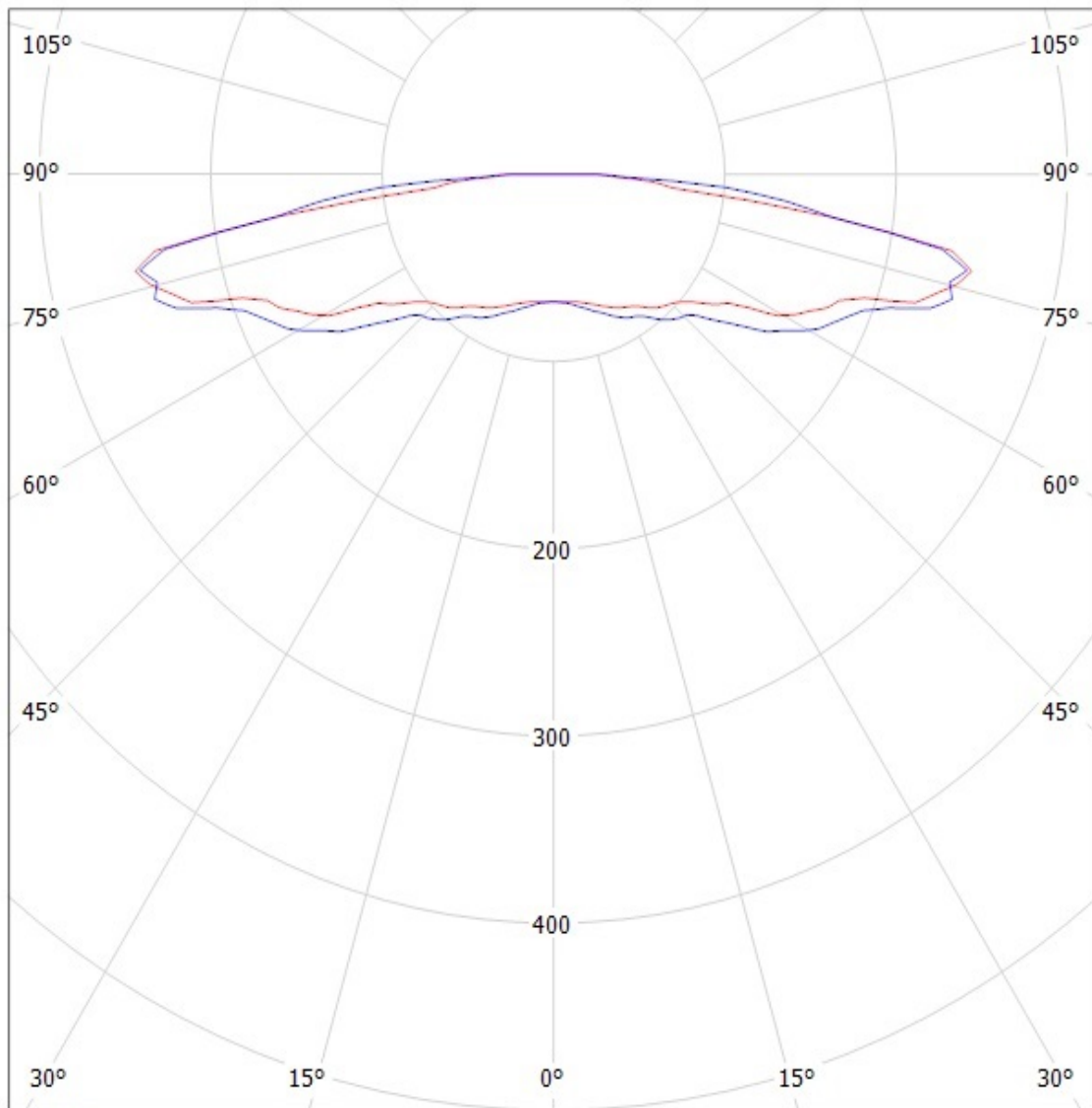
Luminaire: Ledil Oy CA11519\_Lotta-A-RE-tape CA11519\_Lotta-A-RE-tape  
Lamps: 1 x Luxeon Rebel (white)



# Ledil Oy CA11519\_Lotta-A-RE-tape CA11519\_Lotta-A-RE-tape / LDC (Polar)

Luminaire: Ledil Oy CA11519\_Lotta-A-RE-tape CA11519\_Lotta-A-RE-tape

Lamps: 1 x Luxeon Rebel (white)



cd/klm

— C0 - C180

— C90 - C270

**SIMULATED**