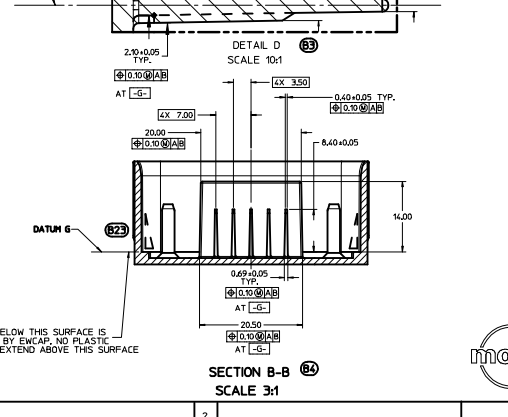
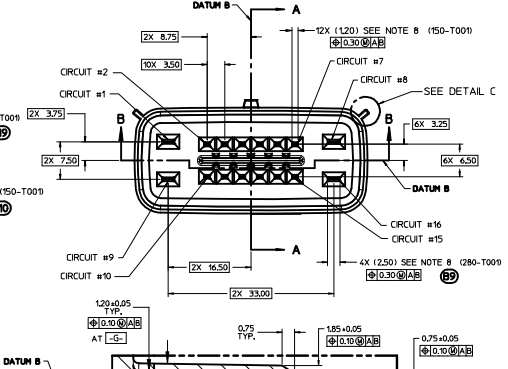
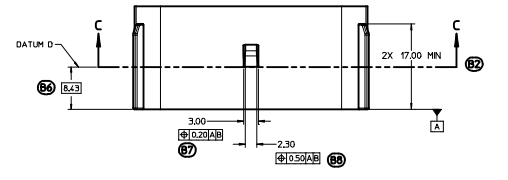
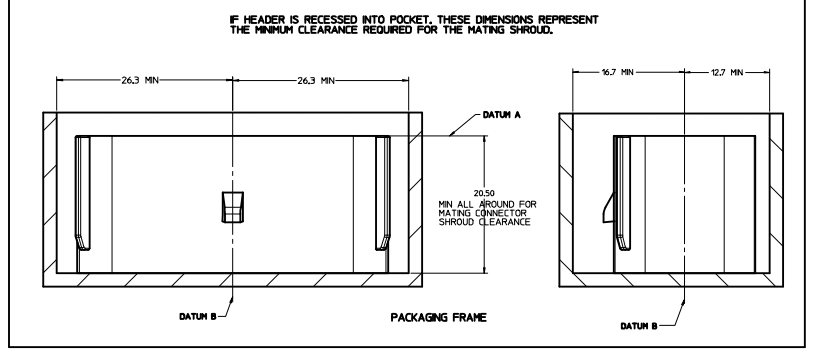


- NOTES: UNLESS OTHERWISE SPECIFIED
- DRAFT ANGLE PERMISSIBLE 0.25° MAXIMUM.
 - ALL DIMENSIONS SHOWN IN MILLIMETERS.
 - DIMENSIONING AND TOLERANCING PER ASME Y14.5M-1994
 - RADI ON ALL CORNERS SHOWN SHARP OR ALL UNSPECIFIED RADI 0.25 EXCEPT AS NOTED.
 - STANDARD COLORS FOR POLARIZATION (SEE CHART). DEVIATION REQUIRES APPROVAL OF AUTHORIZED PERSON.
 - A FULL SHROULD ON THE MATING CONNECTOR IS REQUIRED TO INSURE THAT THE CONNECTOR-HEADER POLARIZATION FEATURES (OPTIONS A THRU H) WILL FUNCTION. THE SHROULD ALSO PREVENTS SCOOP DAMAGE TO THE HEADER PINS. REFER TO SAE/USCAR-12 CONNECTOR DESIGN GUIDE LINES FOR ADDITIONAL INFORMATION.
 - REFER TO USCAR/EWCAP PART LIST AS FOUND ON WEBSITE <http://www.jscorteam.org>

615 8. FOR BLADE TERMINAL DESIGN INFORMATION SEE EWCAP DWG. # EWCAP-001

612 9. THIS IS A 100% CAD GENERATED PART. THE CAD MATHEMATICAL DATA IS THE MASTER FOR THIS PART. FOR DIMENSIONAL OR ANY INFORMATION NOT SHOWN ON THIS DRAWING, ANALYZE THE CAD MODEL.



REV	DESCRIPTION	DATE	BY	CHK
088 B23	ADDED DRAFT DIRECTION SYMBOL	3-25-11		
088 B22	ADDED REF DIMENSION FOR LATCH HEIGHT	3-11-11		
088 B21	REMOVED THE WORD "OPTION" AT VIEW OF BACK ANGLE	3-11-11		
088 B20	CHANGED FROM 175 TO 180	3-11-11		
088 B19	ADDED 4X (0.805) (0.20) AT BASE AND (0.30) AT TIP FOR 2.8 BLADE TERMINALS	1-14-11		
088 B18	CHANGED 6X TO 12X FOR THE 15 BLADE TERMINALS	1-14-11		
088 B17	UPDATED CONNECTOR COLORS	1-14-11		
088 B16	ADDED -G-	5-04-10		
088 B15	REMOVED (0.10) AT	5-04-10		
088 B14	REMOVED SHORTING BAR NOTE	5-04-10		
088 B13	UPDATED NOTE 8 REMOVED REV F	5-04-10		
088 B12	ADDED NOTE 9	5-04-10		
088 B11	ADDED DIM 1.35+0.10/-0.20 MEASURED AT 2.9 FROM [A] ALL AROUND	5-11-10		
088 B10	ADDED SEE NOTE 8	5-04-10		
088 B9	2.50 WAS 2.80. ADDED (280-T001)	5-11-10		
088 B8	ADDED (0.50) AT	5-04-10		
088 B7	ADDED (0.20) AT	5-04-10		
088 B6	ADDED DIM (8.43)	5-04-10		
088 B5	ADDED SEC C-C	5-04-10		
088 B4	UPDATED SEC B-B	5-04-10		
088 B3	ADDED DETAIL D	5-04-10		
088 B2	ADDED SEC C-C	5-04-10		
088 B1	ADDED DIM 0.70+0.15 ALL AROUND	5-04-10		
088 B	RELEASED	5-04-10	KC	MV

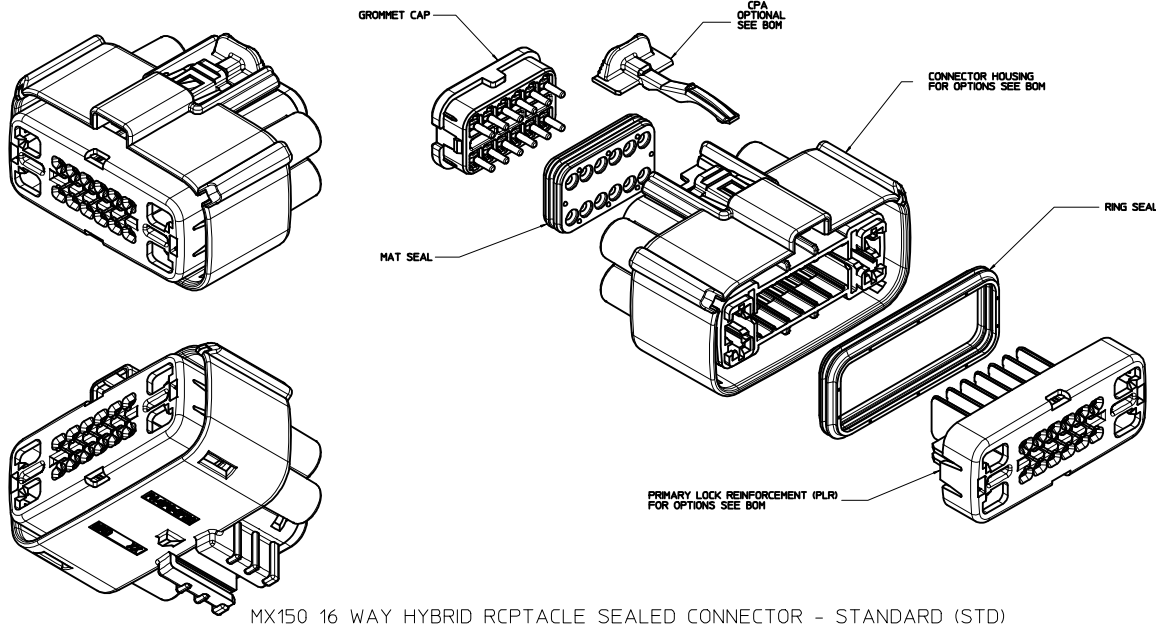
LET		REVISION RECORD	DATE	DWN	CHK
TOLERANCES UNLESS OTHERWISE SPECIFIED					
DIMENSIONS ARE IN		MILLIMETERS		TYPICAL PRACTICE	
ANGLES		13°			
X ±0.2		Ø ±0.10			
EWCAP					
DATE	3/1	DRAWN BY	K. CUNNINGHAM	CHECKED BY	V. KOSHY
DATE				DATE	1-14-11
DIRECT CONNECT INTERFACE 16 WAY (2 X 8) 1.5 MM SEALED MALE					
SHEET	1 OF 1	DRAWING NUMBER	999-S-016-2-202	SCALE	AS SHOWN
REV	E	DATE		REVISION LEVEL	B

EWCAP PN	OPTION	MATING CONNECTOR COLOR
999-S-016-2-H01	H	YELLOW
999-S-016-2-G01	G	YELLOW
999-S-016-2-F01	F	YELLOW
999-S-016-2-E01	E	YELLOW
999-S-016-2-D01	D	BLACK
999-S-016-2-C01	C	DARK GRAY
999-S-016-2-B01	B	GREY
999-S-016-2-A01	A	BLACK

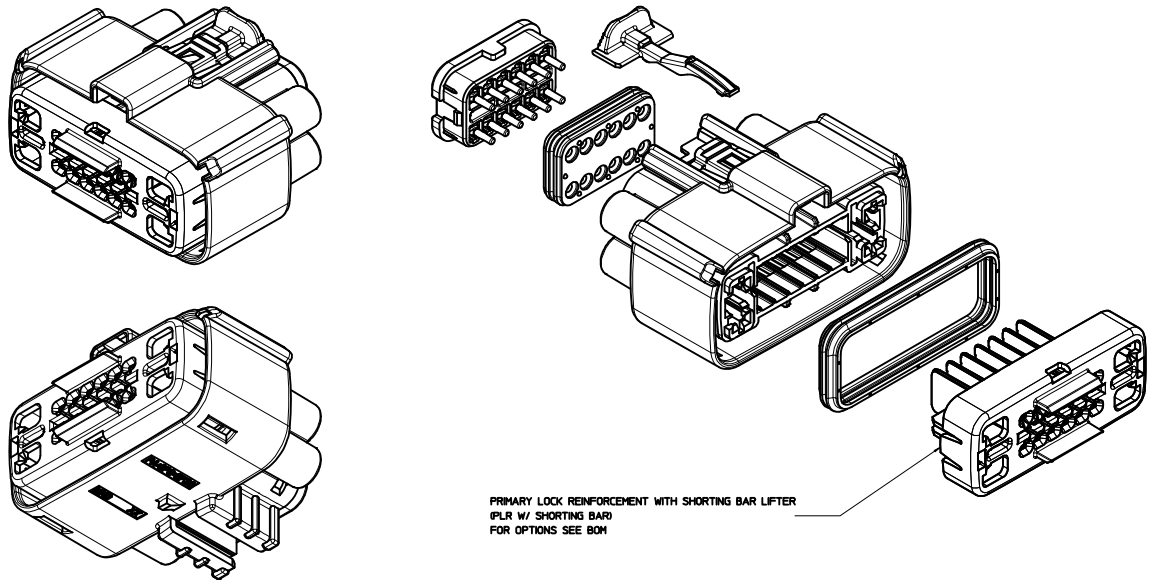
CONSTRUCTION BELOW THIS SURFACE IS NOT CONTROLLED BY EWCAP. NO PLASTIC FEATURES MAY EXTEND ABOVE THIS SURFACE



SCALE 5:1



MX150 16 WAY HYBRID RCPTACLE SEALED CONNECTOR - STANDARD (STD)



MX150 16 WAY HYBRID RCPTACLE SEALED CONNECTOR - SHORTING (SHRT) BAR
UNLESS COMPONENT NOTED, SEE STANDARD ASSEMBLY

TABLE OF CONTENTS	
SHEET NO.	SHEET DESCRIPTION
1	NOTES
2	KEY CONFIGURATIONS
3	RECEPTACLE SEALED ASSEMBLY
4-6	BOM

NOTES: VALID UNLESS OTHERWISE SPECIFIED

1. GENERAL:

- a. APPLICATION SPECIFICATION SEE: AS-33472-100
 - CONTAINS: PRODUCT INTRODUCTION, PRODUCT SUMMARY, CONNECTOR ASSEMBLY, PACKAGING INFORMATION, CONNECTOR MATING, SERVICE INSTRUCTIONS, ELECTRICAL CONTINUITY CHECKING, CRIMPING, AND TROUBLESHOOTING.
 - STANDARD (NON-SHRT) CONFIGURATIONS DESIGNED TO MATE WITH DEVICE CONNECTION AS SPECIFIED IN DRAWING ENCAP 999-5-016-2-202. AVAILABLE AT <http://www.cpacar.com>
 - STANDARD (NON-SHRT) CONFIGURATIONS AND SHORTING BAR CONFIGURATIONS DESIGNED TO MATE WITH BLADE HOUSING ASSEMBLY SPECIFIED IN DRAWING SD-33486-161.
 - FOR 1.5mm RECEPTACLE TERMINALS TO BE USED WITH THIS ASSEMBLY. SEE MOLEX DRAWING SD-33092-002.
 - FOR 2.8mm RECEPTACLE TERMINALS TO BE USED WITH THIS ASSEMBLY SEE TABLE.
 - 2.8mm TERMINALS TO BE USED WITH WIRE WITHIN DIAMETER RANGE OF 150mm TO 3.30mm.
 - ASSEMBLY SHIPPED WITH PLR AND CPA IN PRE-LOCK POSITION (SEE SECTION Z-Z PRE-LOCK).
 - IN THE EVENT THAT THE PLR IS FOUND IN THE SEATED (FINAL LOCK) POSITION, REFER TO MOLEX SPECIFICATION PS-34666-001. AVAILABLE AT www.molex.com -<http://www.molex.com>
 - ASSEMBLY CONFORMS TO SAE/USCAR-2 REV.4 WITH THE FOLLOWING EXCEPTIONS: ENGAGEMENT FORCE TO MOVE CPA FROM PRE-LOCK TO FINAL LOCK POSITION WHEN UNMATED: 40N MN.
 - DISENGAGEMENT FORCE TO MOVE CPA FROM FINAL LOCK TO PRE-LOCK POSITION: 3N MIN 40N MAX.
 - TERMINAL INSERTION FORCE FOR WIRE DIAMETER ABOVE 2.5mm NOT EXCEEDING 2.69mm SHALL NOT EXCEED 40 NEWTONS.

b. PRODUCT SPECIFICATION SEE: PS-33476-000

- CONTAINS: PRODUCT INTRODUCTION, PRODUCT SUMMARY, RATINGS (CURRENT, TEMPERATURE, SEALING, AND FLAMMABILITY), AND PRODUCT VALIDATION.

c. PACKAGING SPECIFICATION PER MOLEX DRAWING: PK-30907-895

d. PARTS MUST BE IN COMPLIANCE TO MOLEX CHEMICAL SUBSTANCES FOR PRODUCTS SPECIFICATION: ES-40000-5016

e. DATA MUST BE SUBMITTED UNDER THE MOLEX PART NUMBER TO MDS (COMPANY 0419295)

f. FOR INFORMATION ON 16 WAY HYBRID RECEPT HRN ASSY WITHOUT CLIPSLOT SEE E-33476-161

2. DESIGN - MATERIALS:

a. SEE BOM TABLE

3. DESIGN - GEOMETRY:

- a. THIS IS A 100% CAD GENERATED PART. THE CAD MATHEMATICAL DATA IS THE MASTER FOR THIS PART. FOR DIMENSIONAL OR ANY INFORMATION NOT SHOWN ON THIS DRAWING, ANALYZE THE CAD MODEL.
- b. GEOMETRIC DIMENSIONS AND TOLERANCES PER ASME Y14.5M - 1994
- c. EDGES AND UNDIMENSIONED DETAILS PER ISO1975
- d. CORNERS SHOWN AS SHARP TO BE R 0.2 MAX.
- e. LETTERING SHALL BE 0.15 MAX RAISED IN 0.25 MAX RECESS PAD. THIS INCLUDES RECYCLING CODE, CAVITY ID, VENDOR IDENTIFICATION, AND CUSTOMER MATERIAL NUMBER.
- f. VISUAL DEFECTS SHALL MEET COSMETIC STANDARD PS-45499-002 (Class B)
- g. LASER MARKING: TBD

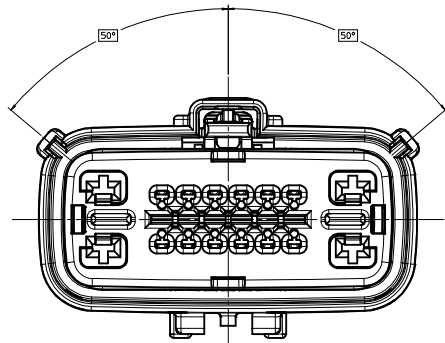
TYCO 2.8mm CABLE SEAL TERMINAL		
FORD P/N FEMALE RECEPTACLE		GRIP SIZE
IFIT-14474-KA		12
IFIT-14474-JA		14
IFIT-14474-HA		16
IFIT-14474-GA		18
IFIT-14474-FA		20
IFIT-14474-EA		22

INSPECTION NUMBER LOG
LAST NUMBER USED:
ADDED:
REMOVED:

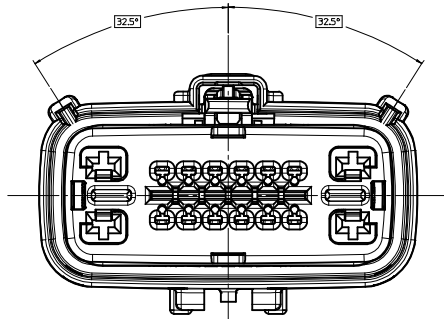
REV	DESCRIPTION
BC	UPDATED TO PLANNED OBSOLESCENCE
BB	ADD NEW P/N 33476-2345 THRU 33476-2348
BA10	ADD NEW P/N 33476-2343 THRU 33476-2344
BA9	ADD NEW P/N 33476-2338 THRU 33476-2342
BA8	CHANGE TO PK-30907-895
BA7	ADD NEW P/N 33476-2336 THRU 33476-2337
BA6	ADD NEW P/N 33476-2333 THRU 33476-2335
BA5	ADD NEW P/N 33476-2332
BA4	ADD NEW P/N 33476-2327 THRU 2331
BA3	ADD NEW P/N 33476-2314 THRU 2326
BA2	ADD NEW P/N 33476-2313
BA1	ADD NEW P/N 33476-2312
BA	ADD NEW P/N 33476-2310 33476-2311
A210	ADD NEW P/N 33476-2308 33476-2309
A29	ADD NEW P/N 33476-2305 33476-2306 33476-2307
A28	ADD NEW P/N 33476-2304
A27	ADD NEW P/N 33476-2303
A26	ADD NEW P/N 33476-2301 33476-2302
A25	ADD NEW P/N 33476-2295 33476-2300
A24	ADD NEW P/N 33476-2294
A23	ADD NEW P/N 33476-2292 33476-2293
	ADD NEW P/N 33476-2285 33476-2286 33476-2287 33476-2288 33476-2289 33476-2290
A22	
	33476-2291
A21	ADD NEW P/N 33476-2283 33476-2284
A2	ADD NEW P/N 33476-2279 33476-2280
AY17	ADD NEW P/N 33476-2278
AY16	ADD NEW P/N 33476-2275 33476-2276 33476-2277
AY15	ADD NEW P/N 33476-2273 33476-2274
AY14	ADD NEW P/N 33476-2265 33476-2266 33476-2267 33476-2268 33476-2269 33476-2270 33476-2271 33476-2272
AY13	ADD NEW P/N 33476-2263 33476-2264
AY12	ADD NEW P/N 33476-2262
AY11	ADD NEW P/N 33476-2261
AY10	ADD NEW P/N 33476-2260
AY9	ADD NEW P/N 33476-2257 33476-2258 33476-2259
AY8	UPDATED 2.8MM WIRE SIZE
AY7	UPDATED WIRE SIZE
AY6	ADD NEW P/N 33476-2255 33476-2256
AY5	ADD NEW P/N 33476-2254
AY4	ADD NEW P/N 33476-2253

ENTER DESCRIPTION EC NO: JAU0206-0550 10/17/14 DRAWN BY: J. CUNNINGHAM 2015/10/21 CHECKED BY: J. CUNNINGHAM 2015/10/21 APPROVED BY: J. CUNNINGHAM 2015/10/29 REV:	QUALITY SYMBOLS ∇=0 ∇=0 ∇=0	GENERAL TOLERANCES (UNLESS SPECIFIED) mm INCH 4 PLACES ± .10 ± .004 3 PLACES ± .15 ± .005 2 PLACES ± 0.10 ± .006 1 PLACE ± 0.3 ± .012 0 PLACE ±	DIMENSION STYLE MM ONLY DRAWN BY DATE KUNNINGHAM 2011/10/26 CHECKED BY DATE APPROVED BY DATE	SCALE 3:1 DESIGN UNITS METRIC THIRD ANGLE PROJECTION	SHEET NO. OF 7
	DRAFT WHERE APPLICABLE MUST REMAIN WITHIN DIMENSIONS		MATERIAL NO. SEE BOM	DOCUMENT NO. SD-33476-181	THIS DRAWING CONTAINS INFORMATION THAT IS PROPRIETARY TO MOLEX. INCORPORATED AND SHOULD NOT BE USED WITHOUT WRITTEN PERMISSION
	MX150 16 WAY HYBRID RCPT SEALED ASSEMBLY CLIPSLOT				

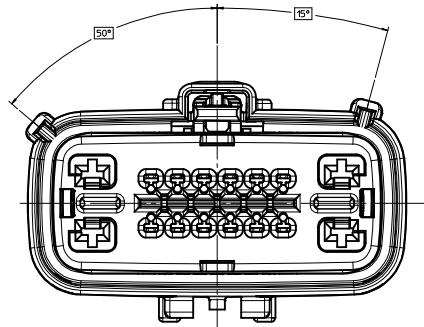
KEY CONFIGURATIONS



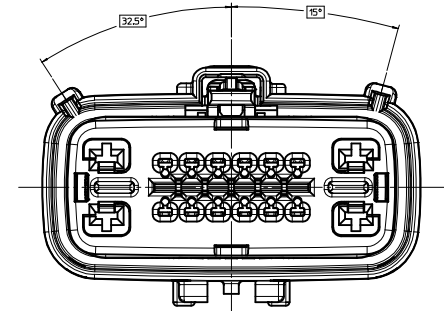
KEY A



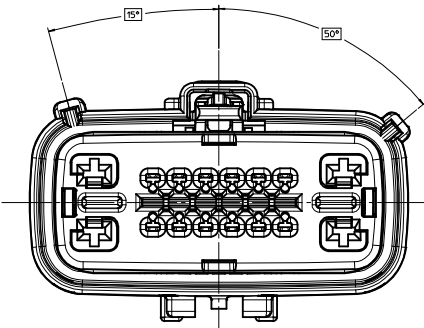
KEY E



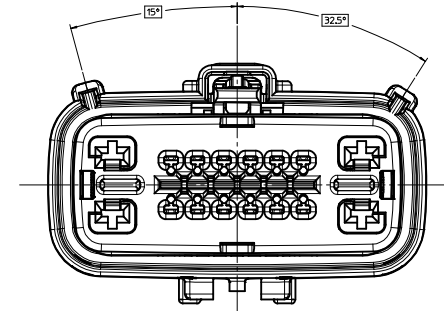
KEY B



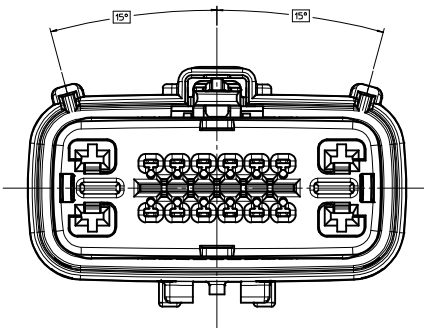
KEY F



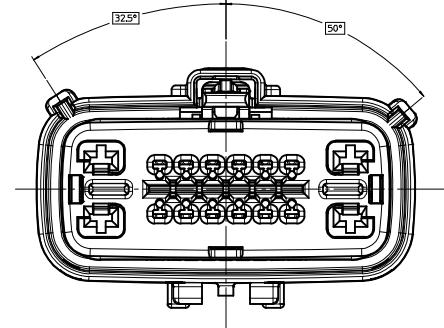
KEY C



KEY G



KEY D

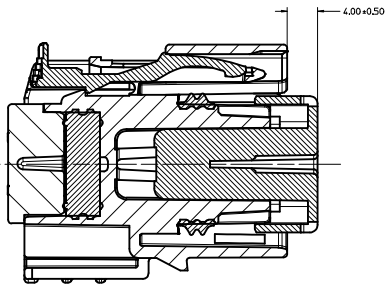
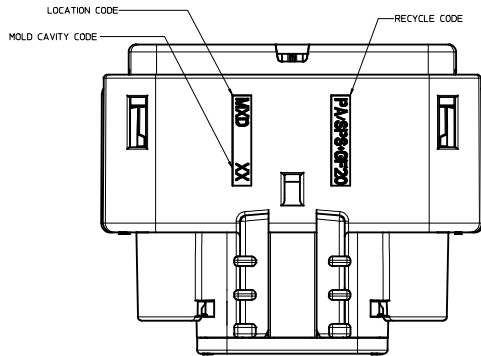
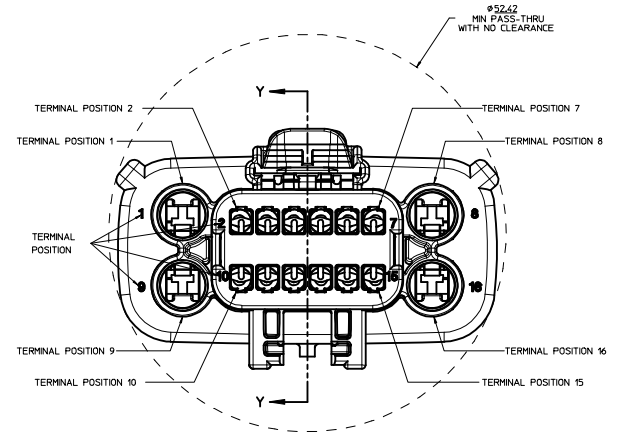
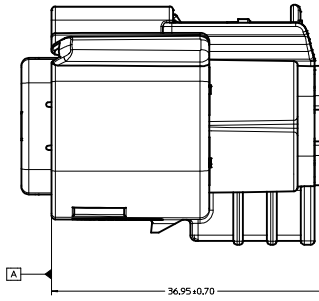
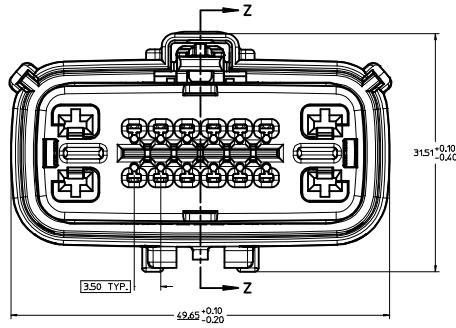
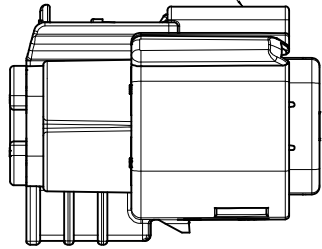


KEY H

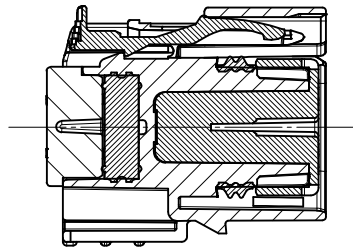
ENTER DESCRIPTION EC NO. 040206-0550 DRAWN BY: JACOB CHECKED BY: JACOB APPROVED BY: JACOB DATE: 2015/10/26	QUALITY SYMBOLS ▽=0 ▽=0 ▽=0	GENERAL TOLERANCES (UNLESS SPECIFIED) mm INCH 4 PLACES ± --- ± --- 3 PLACES ± --- ± --- 2 PLACES ± 0.10 ± --- 1 PLACE ± 0.3 ± --- 0 PLACE ± ±	DIMENSION STYLE MM ONLY DRAWN BY: DATE KCUNNINGHAM 2011/10/26 CHECKED BY: DATE APPROVED BY: DATE	SCALE 4:1 DESIGN UNITS METRIC THIRD ANGLE PROJECTION	TITLE MX150 16 WAY HYBRID RECEPT SEALED ASSEMBLY CLIPSLOT molex	MATERIAL NO. SEE BOM DOCUMENT NO. SD-33476-181	SHEET NO. 2 OF 7
	DRAFT WHERE APPLICABLE MUST REMAIN WITHIN DIMENSIONS		ANGULAR ± 3 °		THIS DRAWING CONTAINS INFORMATION THAT IS PROPRIETARY TO MOLEX INCORPORATED AND SHOULD NOT BE USED WITHOUT WRITTEN PERMISSION		

RECEPTACLE SEALED ASSEMBLY

OPTIONAL LASER MARKING ON THIS SURFACE
SEE NOTE 3g.



PRIMARY LOCK REINFORCEMENT (PLR) SHOWN
IN PRE-STAGED POSITION
SECTION Z-Z



PRIMARY LOCK REINFORCEMENT (PLR) SHOWN
IN FINAL-LOCK POSITION
SECTION Y-Y

ENTER DESCRIPTION EC NO. UAU2016-0550 DRAWN BY: J. W. BETHUNE CHECKED BY: J. W. BETHUNE APPR. MOSES, 2015/10/28	QUALITY SYMBOLS ∇=0 ∇=1 ∇=2	GENERAL TOLERANCES (UNLESS SPECIFIED) <table border="1"> <thead> <tr> <th></th> <th>mm</th> <th>INCH</th> </tr> </thead> <tbody> <tr> <td>4 PLACES</td> <td>± 0.10</td> <td>± 0.004</td> </tr> <tr> <td>3 PLACES</td> <td>± 0.15</td> <td>± 0.006</td> </tr> <tr> <td>2 PLACES</td> <td>± 0.20</td> <td>± 0.008</td> </tr> <tr> <td>1 PLACE</td> <td>± 0.30</td> <td>± 0.012</td> </tr> <tr> <td>0 PLACE</td> <td>± 0.40</td> <td>± 0.016</td> </tr> </tbody> </table>		mm	INCH	4 PLACES	± 0.10	± 0.004	3 PLACES	± 0.15	± 0.006	2 PLACES	± 0.20	± 0.008	1 PLACE	± 0.30	± 0.012	0 PLACE	± 0.40	± 0.016	DIMENSION STYLE MM ONLY	SCALE 4:1	DESIGN UNITS METRIC	THIRD ANGLE PROJECTION
		mm	INCH																					
	4 PLACES	± 0.10	± 0.004																					
	3 PLACES	± 0.15	± 0.006																					
2 PLACES	± 0.20	± 0.008																						
1 PLACE	± 0.30	± 0.012																						
0 PLACE	± 0.40	± 0.016																						
DRAFT WHERE APPLICABLE MUST REMAIN WITHIN DIMENSIONS	MATERIAL NO. SEE BOM	DRAWN BY DATE KCUNNINGHAM 2011/10/26	CHECKED BY DATE	TITLE MX150 16 WAY HYBRID RECEPT SEALED ASSEMBLY CLIPSLOT	DOCUMENT NO. SD-33476-181	SHEET NO. 3 OF 7																		
THIS DRAWING CONTAINS INFORMATION THAT IS PROPRIETARY TO MOLEX INCORPORATED AND SHOULD NOT BE USED WITHOUT WRITTEN PERMISSION																								
SIZE E																								

Main BOM table with columns for ASSEMBLY DESCRIPTION, ASSEMBLY PART NUMBER, and various part numbers (33476-2253 to 33476-2071).

PLANNED OBSOLESCENCE
SEE DRAWING SD-34985-8002
FOR REPLACEMENT P/N'S
34985-XXXX

STATUS

Blocked Terminal table with columns: GROMMET CAP, MAT SEAL, RING SEAL, CPA, PLR SHIRT, BAR LFFTER, PLR STANDARD, HOUSING KEYING OPTION A, HOUSING KEYING OPTION H, HOUSING KEYING OPTION G, HOUSING KEYING OPTION F, HOUSING KEYING OPTION E, HOUSING KEYING OPTION D, HOUSING KEYING OPTION C, HOUSING KEYING OPTION B, HOUSING KEYING OPTION A, DESCRIPTION, COLOR, MATERIAL.

BOM/APPLICABLE COMPONENTS TABLE

LEGEND TABLE with columns: ABBREVIATION, COMPONENT. Rows include A (HOUSING KEY A), B (HOUSING KEY B), C (HOUSING KEY C), D (HOUSING KEY D), E (HOUSING KEY E), F (HOUSING KEY F), G (HOUSING KEY G), H (HOUSING KEY H), GC (GROMMET CAP), M (MAT SEAL), P (PLR, STANDARD), PS (PLR, SHRT BAR LIFTER), R (RING SEAL), CPA (CPA).

ENTER DESCRIPTION
EC NO. JAC2016-0550
DRAWING NO. 16174
REVISED BY: MZKSK, 2015/10/14
APPROVED BY: MZKSK, 2015/10/29

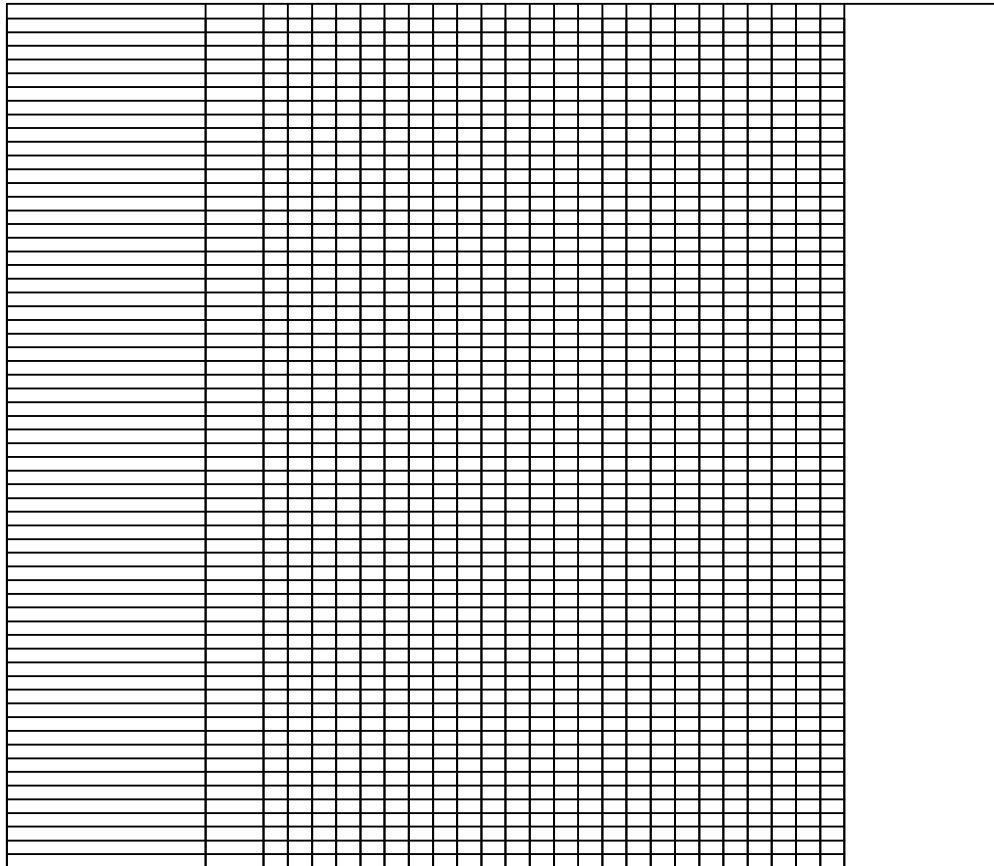
QUALITY SYMBOLS table with columns: QUALITY SYMBOLS, GENERAL TOLERANCES (UNLESS SPECIFIED), DIMENSION STYLE, SCALE, DESIGN UNITS, THIRD ANGLE PROJECTION.

Material and Drawing Information table with columns: MATERIAL NO., DOCUMENT NO., TITLE, SHEET NO., DATE, CHECKED BY, APPROVED BY, DATE.

MX150 16 WAY HYBRID
RECT SEAL ASSEMBLY
CLIPSLOT

SEE BOM
SD-33476-181

DRAFT WHERE APPLICABLE
MUST REMAIN WITHIN DIMENSIONS
THIS DRAWING CONTAINS INFORMATION THAT IS PROPRIETARY TO MOLEX
INCORPORATED AND SHOULD NOT BE USED WITHOUT WRITTEN PERMISSION



ASSEMBLY DESCRIPTION	ASSEMBLY PART NUMBER	A	B	C	D	E	F	G	H	A	P	PS	CPA	2	3	4	5	6	7	10	11	12	13	14	15
KEY A, BLACK	33476-2348	A										P		2	3	4	5					12	13	14	15
KEY A, BLACK	33476-2347	A										P		2		4	5					12	13	14	15
KEY A, BLACK	33476-2346	A										P							7	10	11				
KEY A, BLACK	33476-2345	A										P						5	6	7	10	11		14	
KEY A, BLACK	33476-2344	A										P					5	7							
KEY A, BLACK	33476-2343	A										P		2	3		5	6	7	10	11	12	13		
KEY A, BLACK	33476-2342	A										P											12	13	
KEY B, LTGRAY	33476-2341	B										P		2	3	4	5	6		10	11	12	14	15	
KEY B, LTGRAY	33476-2340	B										P							7	10	11	12	13	14	15
KEY B, LTGRAY	33476-2339	B										P				4	5	6	7						
KEY A, BLACK	33476-2338	A										P								7	10				
KEY F W/ SHRT, BAR, LT, GRAY	33476-2337						F					PS													15
KEY F W/ SHRT, BAR, LT, GRAY	33476-2336						F					PS					6	7			11				15

PLANNED OBSOLESCENCE
SEE DRAWING SD-34985-8002
FOR REPLACEMENT PINS
34985-XXXX

STATUS

BLOCKED TERMINAL
CAVITY WITH A NUMBER INDICATES BLOCKED TERMINAL POSITION
CAVITY WITHOUT A NUMBER INDICATES OPEN TERMINAL POSITION

GRONMET CAP	BLACK	SPS/NYLON GF20
MAT SEAL	LIGHT BLUE	INHERENTLY LUBRICATED SILICONE
RING SEAL	GREEN	INHERENTLY LUBRICATED SILICONE
CPA	BRIGHT RED	PBT GF30
PLR SHRT, BAR LIFTER	NATURAL	PBT GF15
PLR STANDARD	NATURAL	SPS/NYLON GF20
HOUSING KEYING OPTION A	YELLOW	SPS/NYLON GF20
HOUSING KEYING OPTION H	YELLOW	SPS/NYLON GF20
HOUSING KEYING OPTION G	BROWN	SPS/NYLON GF20
HOUSING KEYING OPTION F	LIGHT GRAY	SPS/NYLON GF20
HOUSING KEYING OPTION E	BLACK	SPS/NYLON GF20
HOUSING KEYING OPTION D	GREEN	SPS/NYLON GF20
HOUSING KEYING OPTION C	BROWN	SPS/NYLON GF20
HOUSING KEYING OPTION B	LIGHT GRAY	SPS/NYLON GF20
HOUSING KEYING OPTION A	BLACK	SPS/NYLON GF20

DESCRIPTION	COLOR	MATERIAL
-------------	-------	----------

BOM/APPLICABLE COMPONENTS TABLE

LEGEND TABLE

ABBREVIATION	COMPONENT
A	HOUSING KEY A
B	HOUSING KEY B
C	HOUSING KEY C
D	HOUSING KEY D
E	HOUSING KEY E
F	HOUSING KEY F
G	HOUSING KEY G
H	HOUSING KEY H
GC	GRONMET CAP
M	MAT SEAL
P	PLR, STANDARD
PS	PLR, SHRT BAR LIFTER
R	RING SEAL
CPA	CPA

ENTER DESCRIPTION
EC NO: UAU016-0550
DRAWN BY: JIMMIE TAYLOR
APP: MOSEBY
DATE: 2015/10/28

QUALITY SYMBOLS	GENERAL TOLERANCES (UNLESS SPECIFIED)	
	mm	INCH
$\nabla=0$	4 PLACES +--- ±---	±---
$\nabla=1$	3 PLACES +--- ±---	±---
$\nabla=2$	2 PLACES +0.10 ±---	±---
$\nabla=3$	1 PLACE ±0.3 ±---	±---
$\nabla=4$	0 PLACE ± ±	±
	ANGULAR ± 3°	
	DRAFT WHERE APPLICABLE MUST REMAIN WITHIN DIMENSIONS	

DIMENSION STYLE		SCALE	DESIGN UNITS	THIRD ANGLE PROJECTION
MM ONLY		4:1	METRIC	
DRAWN BY	DATE	TITLE	MX150 16 WAY HYBRID RECP T SEALED ASSEMBLY CLIPSLOT	
KCUNNINGHAM	2011/10/26			
CHECKED BY	DATE			
APPROVED BY	DATE			

MATERIAL NO.	DOCUMENT NO.	SHEET NO.
SEE BOM	SD-33476-181	7 OF 7
THIS DRAWING CONTAINS INFORMATION THAT IS PROPRIETARY TO MOLEX INCORPORATED AND SHOULD NOT BE USED WITHOUT WRITTEN PERMISSION		