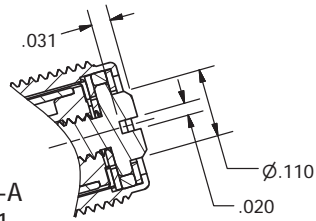
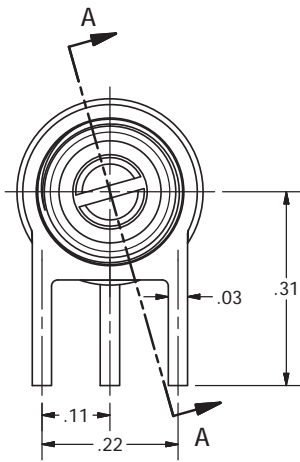


NOTES:

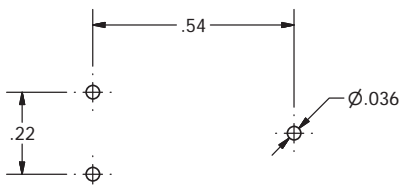
1. INTERPRET DRAWING PER ANSI Y14.5M-1994.
2. ELECTRICAL SPECIFICATIONS:
 - 2.1. CAPACITANCE RANGE: 0.8 [pF] TO 20.0 [pF].
 - 2.2. DC WORKING VOLTAGE AT 20.0 [pF]: 2000 [VOLTS].
 - 2.3. DC WITHSTANDING VOLTAGE AT 20.0 [pF]: 4000 [VOLTS].
 - 2.4. Q FACTOR AT 100 [MHz] AND 20.0 [pF]: 3000 MIN.
 - 2.5. INSULATION RESISTANCE: 10^6 [MEGAOHMS] AT 25°C.
 - 2.6. TEMPERATURE COEFFICIENT 0 ± 100 [PPM/°C].
3. MECHANICAL SPECIFICATIONS:
 - 3.1. TUNING TORQUE: 0.5 [in-oz] TO 5.0 [in-oz].
 - 3.2. ROTATIONAL LIFE: 600 TURNS MIN.
 - 3.3. CONSTRUCTION: STANDARD SEALED CONSTRUCTION.
4. ENVIRONMENTAL:
 - 4.1. OPERATING TEMPERATURE: -65°C TO +125°C.
 - 4.2. VIBRATION: 50g AT 10-2000[Hz].
 - 4.3. SHOCK: 1500g BY 0.5 [MILLISECONDS].
 - 4.4. GROSS LEAK: 40 [PSI] MIN.
 - 4.5. RoHS COMPLAINT.



SECTION A-A
SCALE 5: 1

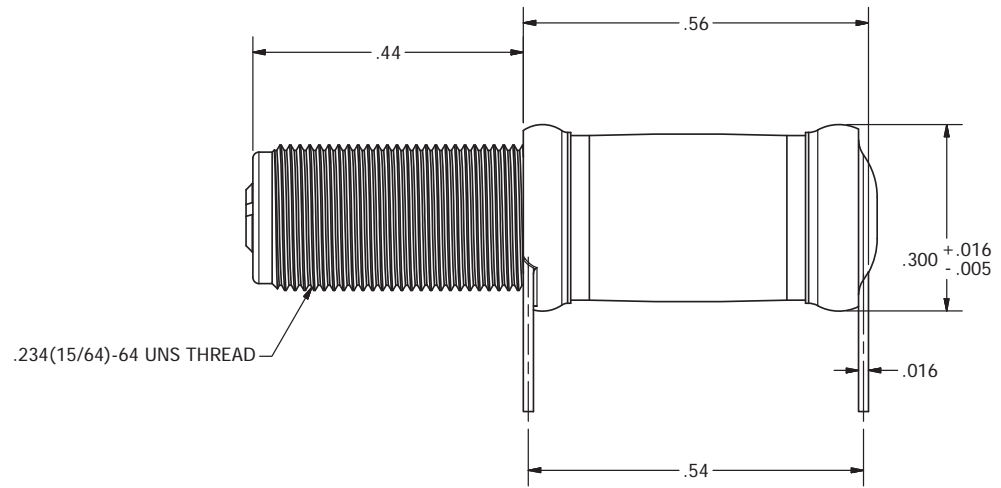


MAIN VIEW
SCALE 5: 1



SUGGESTED FOOT PRINT
SCALE 3: 1

REVISION HISTORY					
ECO#	ZONE	REV	DESCRIPTION	DRAWN	APPROVED
		-	INITIAL RELEASE	AS 04/20/10	AG
1389	ALL	A	UPDATED TO CURRENT STANDARDS. LEAD THICKNESS CORRECTED TO .016"; TC CORRECTED TO 100 +/- 100	EC 11/14/14	TD 11/20/14



MATERIAL		N/A	DRAWN	E. CONTRERAS	11/14/2014
FINISH		N/A	CHECKED	T. BYRNE	11/19/2014
TOLERANCES	SURFACE FINISH	NA ✓	QUALITY ASSURANCE	G. SATTERFIELD	11/19/2014
.XX ±.016 .XXX ±.005 .XXXX ±.0005 X° ±1° X.X° ±0.1°			MANUFACTURING	F. KHALIFEH	11/18/2014
3RD ANGLE PROJECTION			ENGINEERING	T. DOLAN	11/20/2014
			CUSTOMER PART NUMBER		
			INVENTOR 2014 GENERATED DWG		

knowles VOLTRONICS
 DLI • Novacap • Syfer • Voltronics THE TRIMMER CAPACITOR COMPANY
 2250 NORTHWOOD DRIVE
 SALISBURY, MARYLAND 21801

OUTLINE DRAWING FOR AP20-4			
SIZE	CAGE CODE	PART NUMBER	REV
B	18736	AP20-4	A
SCALE	PER VIEW	DWG NO.	SHEET 1 OF 1
		V-70926	