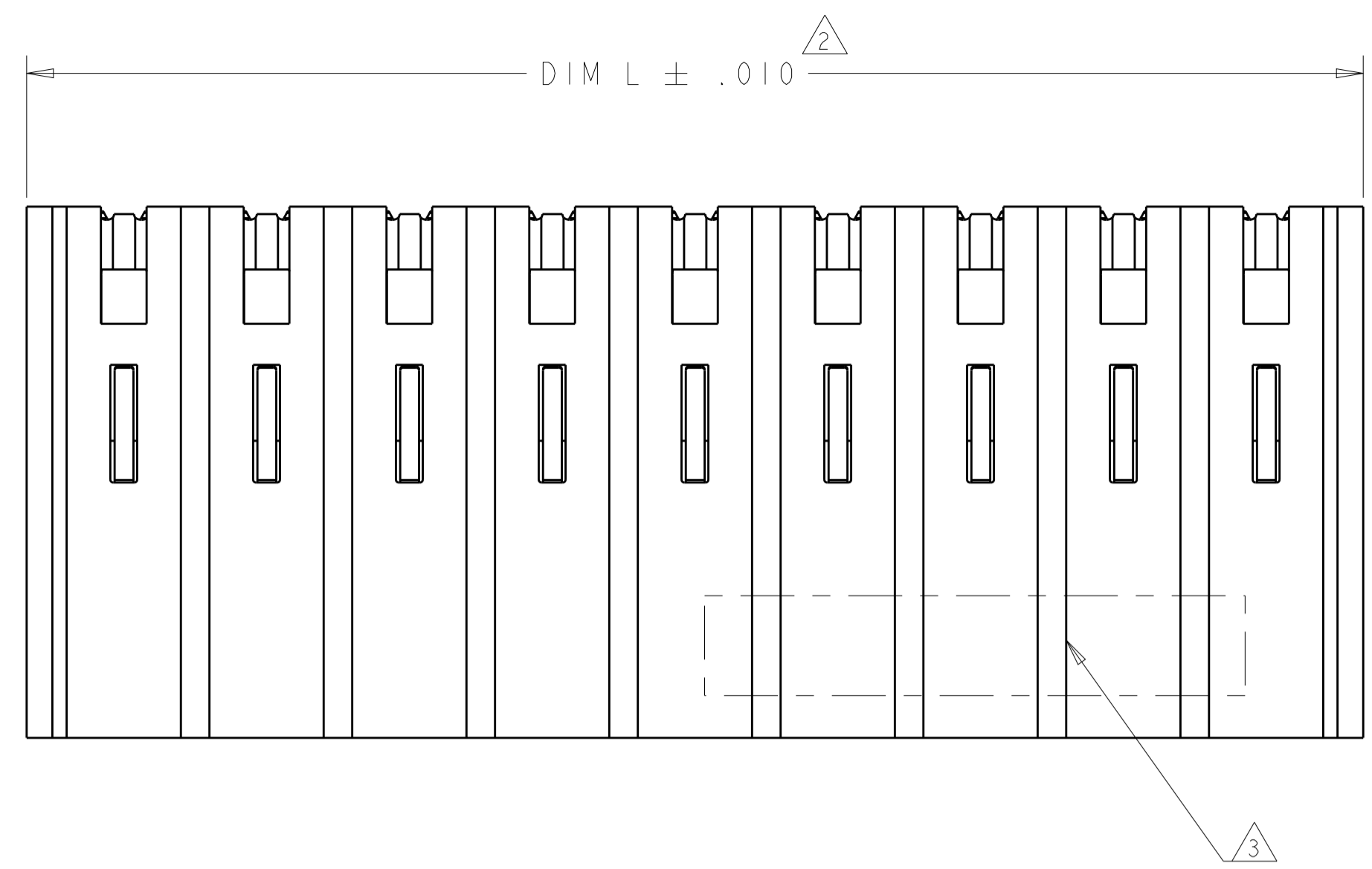
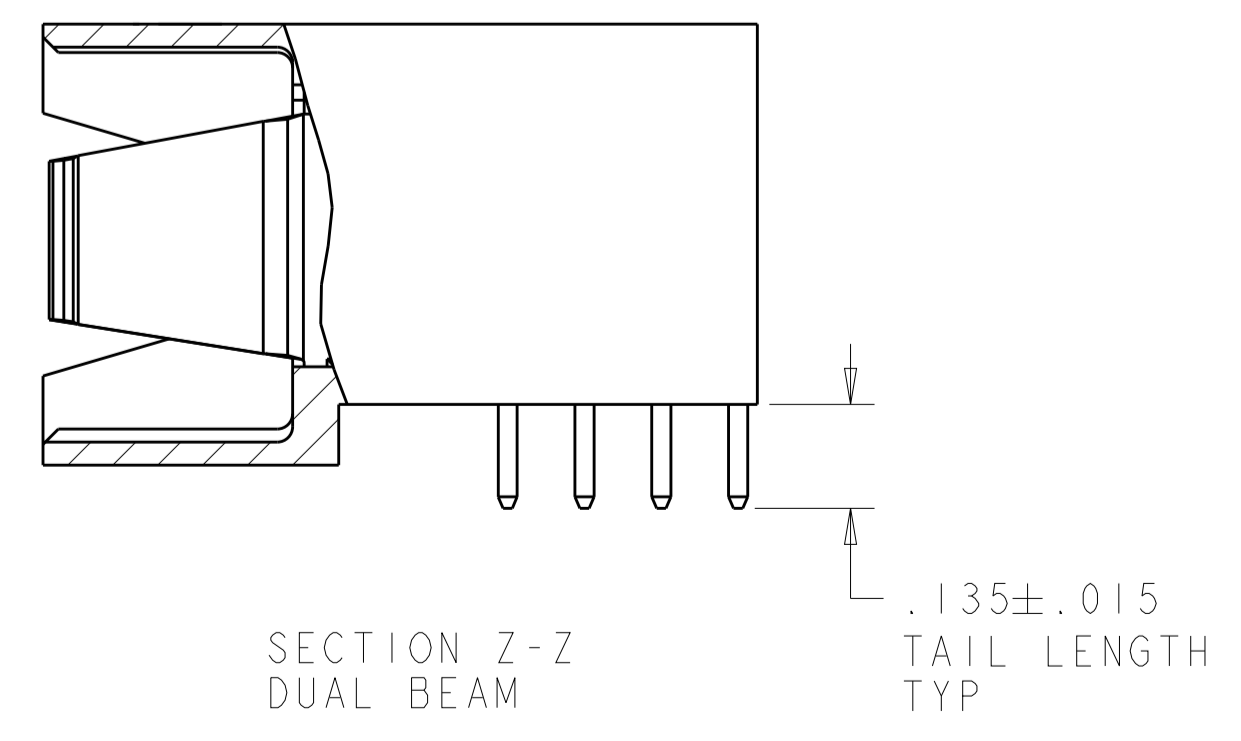
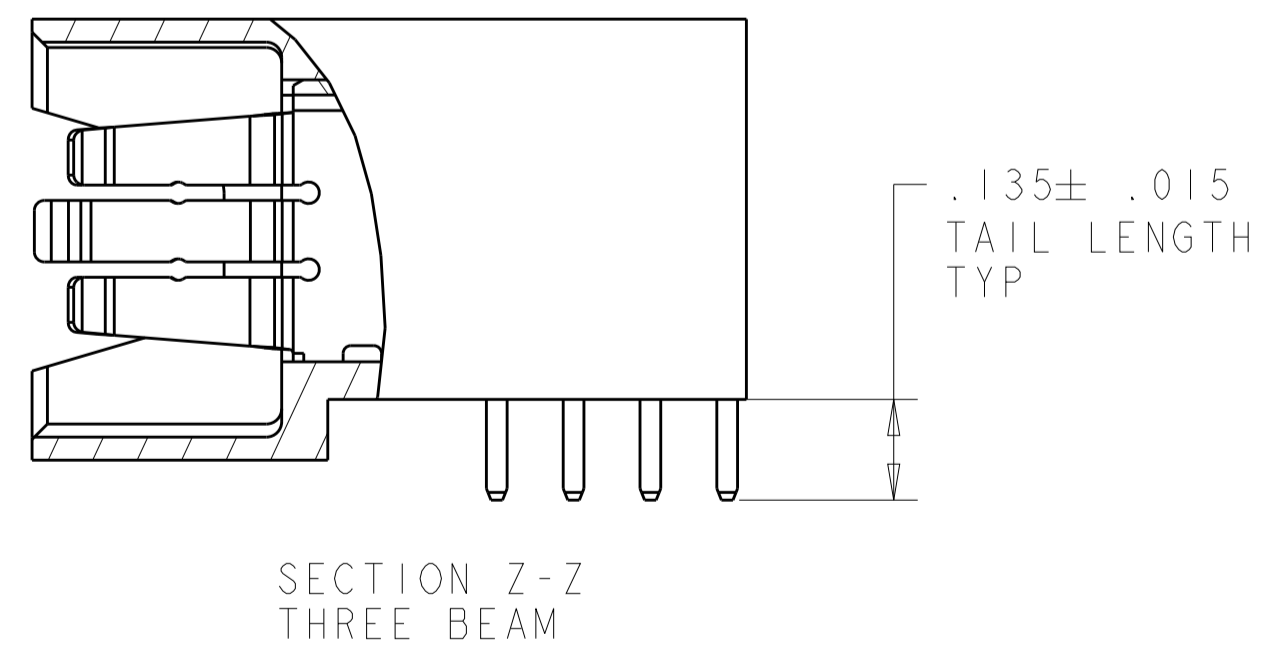
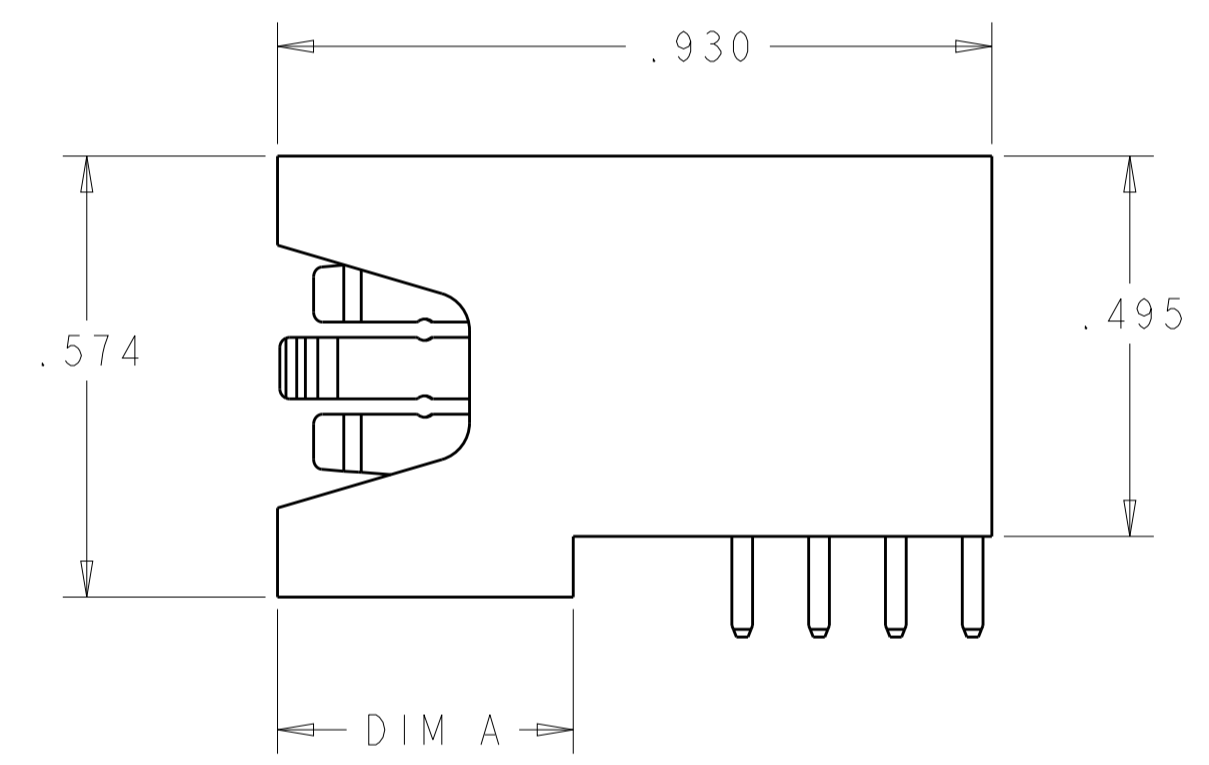
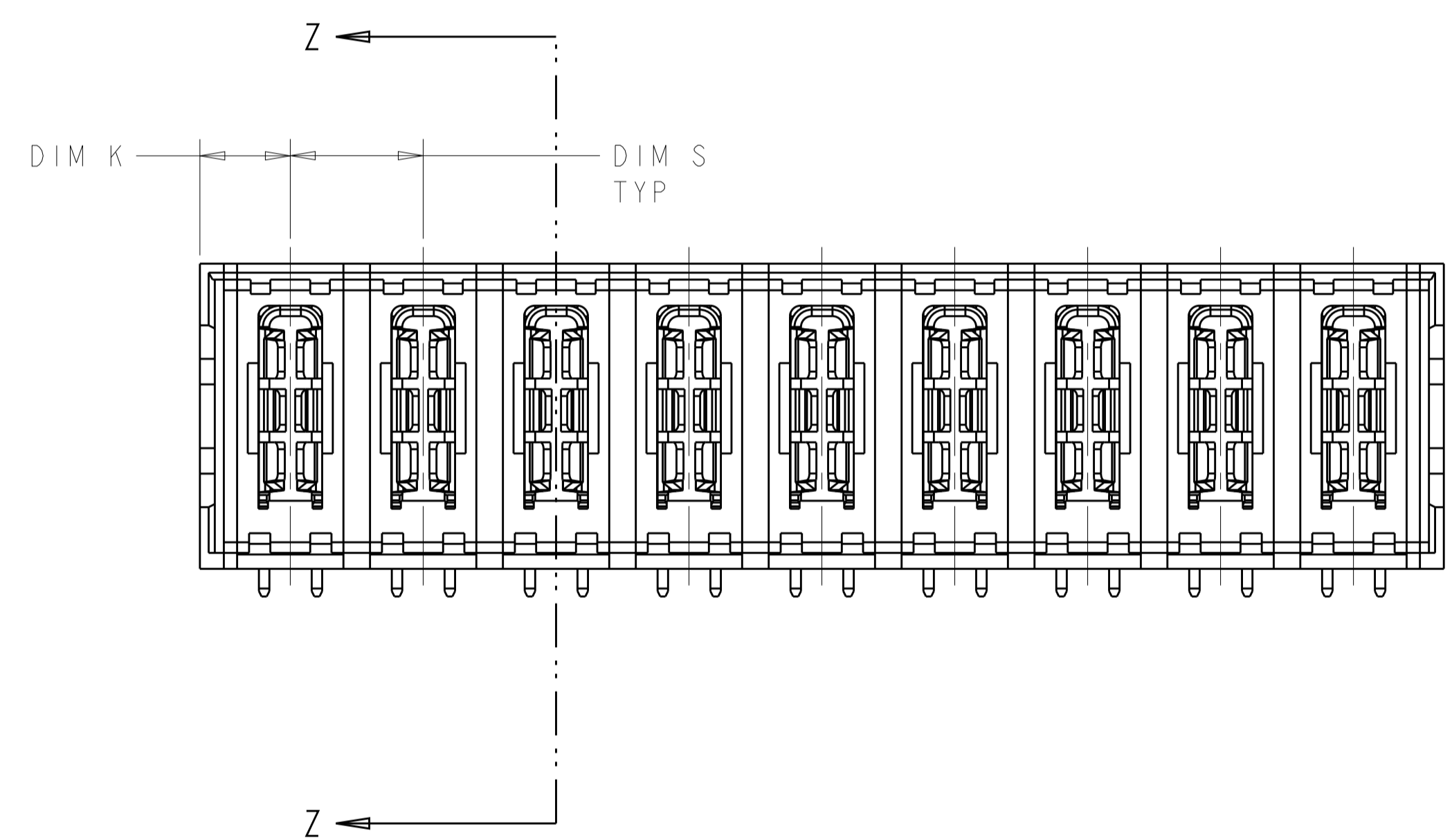


LOC	DIST	REVISIONS			
P	LTN	DESCRIPTION	DATE	DWN	APVD
ES	00	A3 ADVISED	20MAR2013	ML	SZ



- 1 DIMENSION S IS CENTERLINE SPACING OF POWER MODULE
- 2 THE MAXIMUM OVERALL LENGTH (DIM L) OF A PART IS 8.00
- 3 "AMP" PART NUMBER AND DATE CODE TO BE MARKED IN AREA SHOWN. PARTS UNDER 2.00 LONG MAY BE MARKED ON BOTH SIDES.
- 4 MATERIAL: HOUSING - GLASS FILLED HIGH TEMP THERMO PLASTIC, UL94 V-0  
POWER CONTACT - HIGH CONDUCTIVITY COPPER ALLOY
- 5 CONTACT PLATING:  
NOBLE METAL PLATED ON THE FUNCTIONAL CONTACT AREA OF POWER AND SIGNAL CONTACTS.
- 6 MECHANICAL CONNECTOR KEEP OUT ZONE
- 7 DATUM AND BASIC DIMENSIONS ESTABLISHED BY CUSTOMER
- 8 PCB - ALL HOLE DIAMETERS ARE FINISHED HOLE SIZES.
- 9 PCB - .0453±.0010 DRILLED HOLES WITH .0003 WITH Sn OVER .001 TO .003 Cu PLATING TO ACHIEVE A .040±.003 DIA HOLE
- 10 NOT RELEASED FOR PRODUCTION.



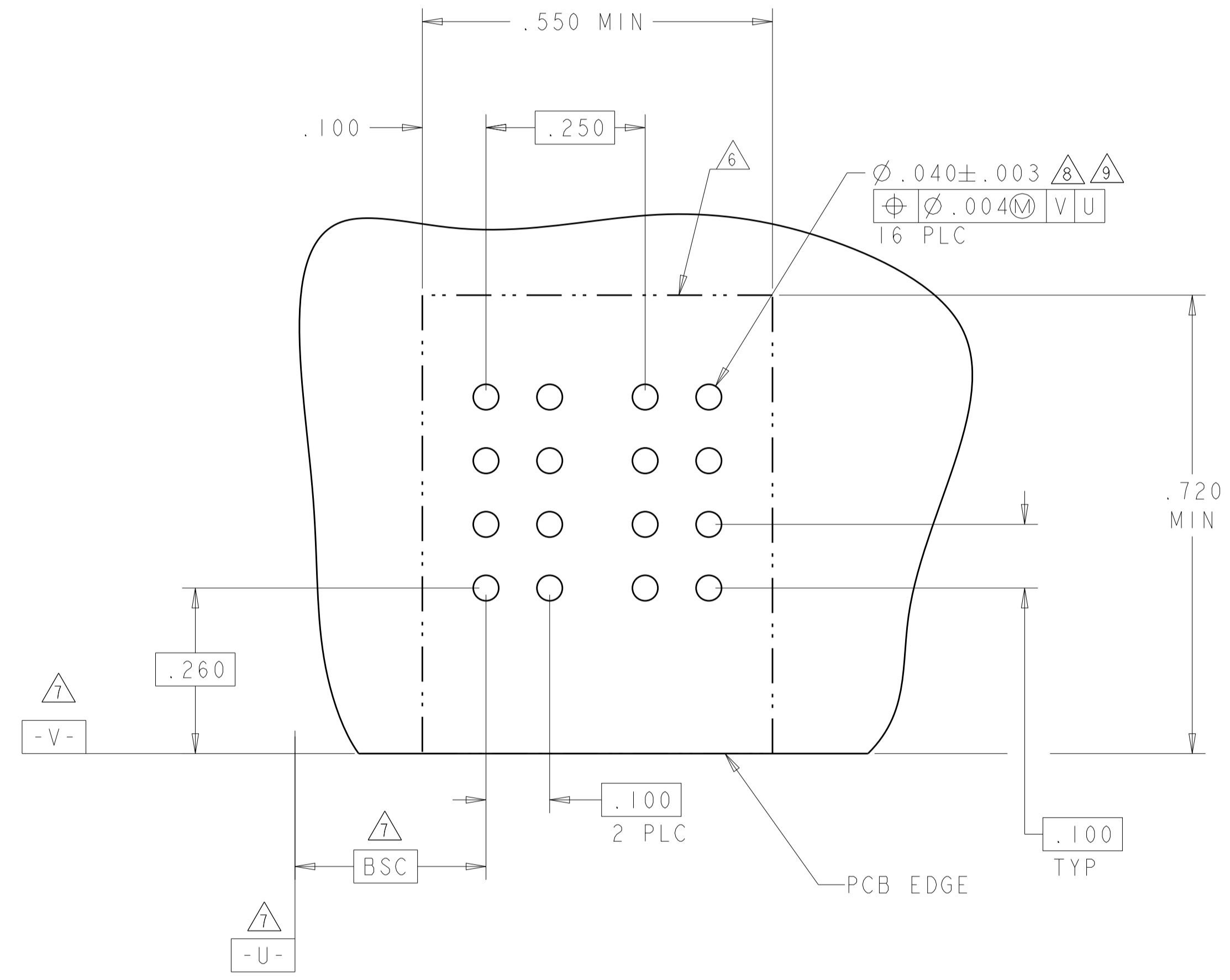
.325	.250	.520	.135	2P	1892107-3
.385	.250	.590	.170	2P	1892107-2
.385	.250	2.340	.170	9P	1892107-1
DIM A	DIM S	DIM L	DIM K	DESCRIPTION	PART NUMBER

THIS DRAWING IS A CONTROLLED DOCUMENT.		DWN: Denny Zhu 16JAN2007	 TE Connectivity
DIMENSIONS: INCHES		CHK: Sunny Zhao 16JAN2007	
TOLERANCES UNLESS OTHERWISE SPECIFIED:		APVD: S. YAO	NAME: RIGHT ANGLE HEADER ASSEMBLY W/O GUIDES MULTI-BEAM XLE
0 PLC ±.01	1 PLC ±.01	PRODUCT SPEC 108-1973	SIZE: A1
2 PLC ±.005	3 PLC ±.005	APPLICATION SPEC 114-13038	CAGE CODE: 1892107
4 PLC ±.0020	ANGLES ±.7°	WEIGHT	RESTRICTED TO
MATERIAL	FINISH	Customer Drawing	SCALE: 4:1 SHEET 1 OF 3 REV: A3



LOC		DIST		REVISIONS			
ES	00	P	LTH	DESCRIPTION	DATE	DWN	APVD
		-		SEE SHEET 1	-	-	-

PART NUMBER	ROWS	POWER	
		P1	P2
1892107-3	D C B A	PS	PS
2P			



THIS DRAWING IS A CONTROLLED DOCUMENT.		DWN Denny Zhu CHK Sunny Zhao	16JAN2007 16JAN2007	TE Connectivity
DIMENSIONS:	TOLERANCES UNLESS OTHERWISE SPECIFIED:	APVD S. YAO		
INCHES	0 PLC ± 1 PLC ± 2 PLC ±.01 3 PLC ±.005 4 PLC ±.0020 ANGLES ±°	NAME S. YAO		PRODUCT SPEC 108-1973 APPLICATION SPEC 114-13038
MATERIAL	FINISH	WEIGHT	SIZE A100779	CAGE CODE C=1892107 DRAWING NO 1892107 RESTRICTED TO -
Customer Drawing		SCALE	SHEET	REV
		4:1	3 OF 3	A3