

Flush-type connector - SACC-E-M12MS-8P-M16XL/0,5 - 1411581

Please be informed that the data shown in this PDF Document is generated from our Online Catalog. Please find the complete data in the user's documentation. Our General Terms of Use for Downloads are valid (<http://phoenixcontact.com/download>)



Flush-type connector, 8-position, Plug, straight, M12, A-coded, Front mounting, M16 x 1.5, Individual wires, cable length: 0.5 m

The figure shows the 12-pos. product version

Your advantages

- ✓ Easy-to-install, optimized XL housing contour with wrench size 19
- ✓ Mechanical tightening limitation for long-term-stable gasket
- ✓ Pre-assembled with litz wires for immediate use
- ✓ Customer-specific assemblies and litz wire lengths available
- ✓ Sealed on the litz wire side for optimum leak-tightness
- ✓ All standard pin assignments and codings for signal, data, and power transmission with a uniform design-in design
- ✓ For high transmission safety: shield connection to the housing with optional EMC nut



Key Commercial Data

| | |
|--------------|---------------|
| Packing unit | 1 pc |
| GTIN | |
| GTIN | 4046356936118 |

Technical data

Dimensions

| | |
|-----------------|-------|
| Length of cable | 0.5 m |
|-----------------|-------|

Ambient conditions

| | |
|---------------------------------|------------------|
| Ambient temperature (operation) | -25 °C ... 85 °C |
| Degree of protection | IP65/IP67 |

General

| | |
|------|---|
| Note | The electrical and mechanical data specified assume that the connector pair is correctly locked and mounted. If the connector is unlocked and if there is a danger of contamination, the connector must be sealed using |
|------|---|

Flush-type connector - SACC-E-M12MS-8P-M16XL/0,5 - 1411581

Technical data

General

| | |
|-----------------------------|--|
| | a protective cap > IP54. Influences arising from litz wires, cables or PCB assembly must also be taken into consideration. |
| Rated current at 40°C | 2 A |
| Rated voltage | 30 V |
| Rated surge voltage | 0.8 kV |
| Number of positions | 8 |
| Insulation resistance | ≥ 100 MΩ |
| Coding | A - standard |
| Standards/regulations | M12 connector IEC 61076-2-101 |
| Status display | No |
| Overvoltage category | II |
| Degree of pollution | 3 |
| Connection method | Individual wires |
| Insertion/withdrawal cycles | > 100 |
| Torque | 0.8 Nm ... 1.3 Nm (Installation-side) |
| Mounting type | Front mounting M16 x 1.5 Tightening limitation |

Material

| | |
|--|------------------------------|
| Flammability rating according to UL 94 | V0 |
| Contact material | CuZn |
| Contact surface material | Au |
| Contact carrier material | PA 6.6 |
| Material, knurls | Zinc die-cast, nickel-plated |
| Sealing material | FKM |

Cable

| | |
|------------------------------------|--|
| Cable type | TPE litz wire |
| Conductor cross section | 0.25 mm ² |
| AWG signal line | 24 |
| Conductor structure signal line | 14x 0.15 mm |
| Core diameter including insulation | 1.15 mm ±0.07 mm |
| Thickness, insulation | 0.21 mm (Core insulation) |
| Wire colors | Brown, blue, white, gray, pink, green, yellow, red |
| Material conductor insulation | TPE |
| Conductor material | Tin-plated Cu litz wires |
| Standards/specifications | M12 connector IEC 61076-2-101 |
| Insulation resistance | ≥ 20 MΩ*km |
| Conductor resistance | ≤ 80 mΩ/m |
| Nominal voltage, cable | 300 V |
| Test voltage, cable | 2000 V AC |
| Ambient temperature (operation) | -25 °C ... 85 °C (cable, fixed installation) |
| | -40 °C ... 85 °C (cable, fixed installation) |

Flush-type connector - SACC-E-M12MS-8P-M16XL/0,5 - 1411581

Technical data

Standards and Regulations

| | |
|--|-----------------|
| Standard designation | M12 connector |
| Standards/regulations | IEC 61076-2-101 |
| Flammability rating according to UL 94 | V0 |

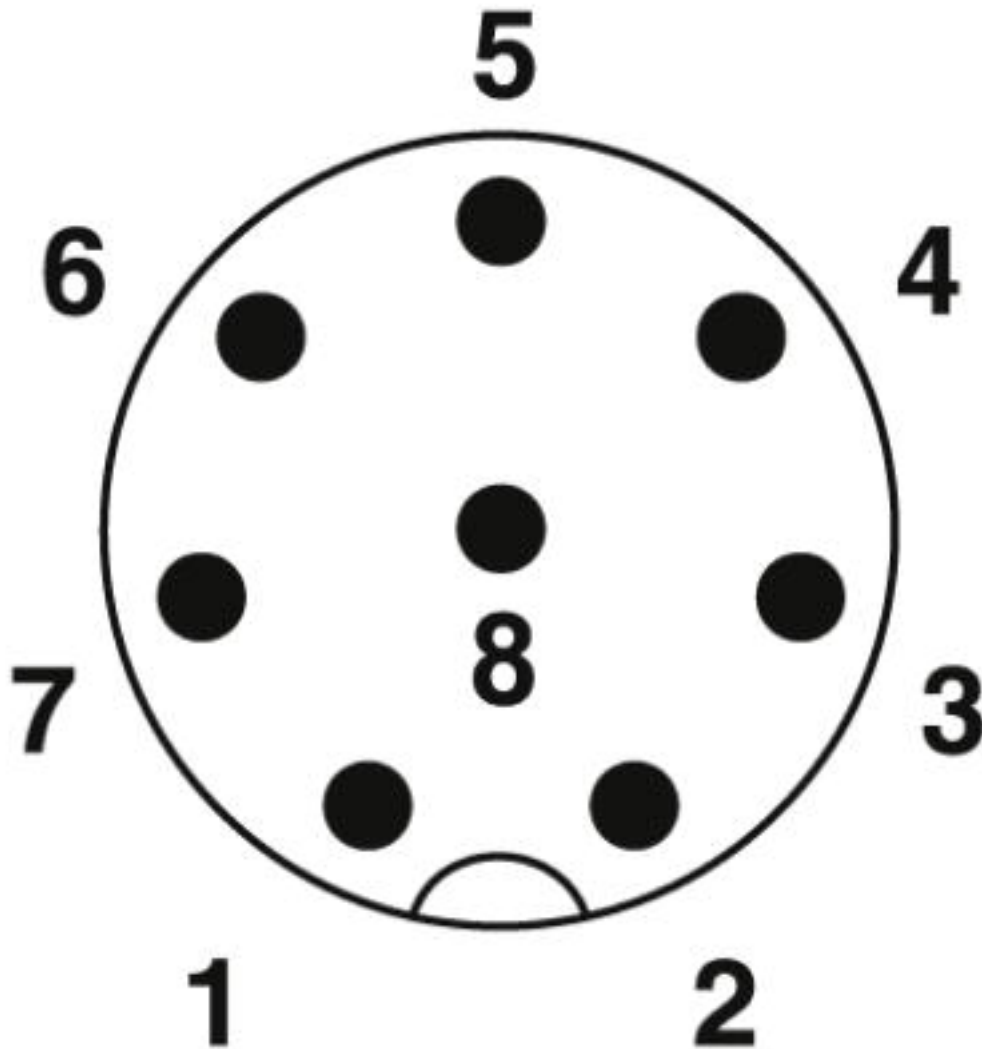
Environmental Product Compliance

| | |
|------------|---|
| | Lead 7439-92-1 |
| China RoHS | Environmentally Friendly Use Period = 50 |
| | For details about hazardous substances go to tab "Downloads", Category "Manufacturer's declaration" |

Drawings

Flush-type connector - SACC-E-M12MS-8P-M16XL/0,5 - 1411581

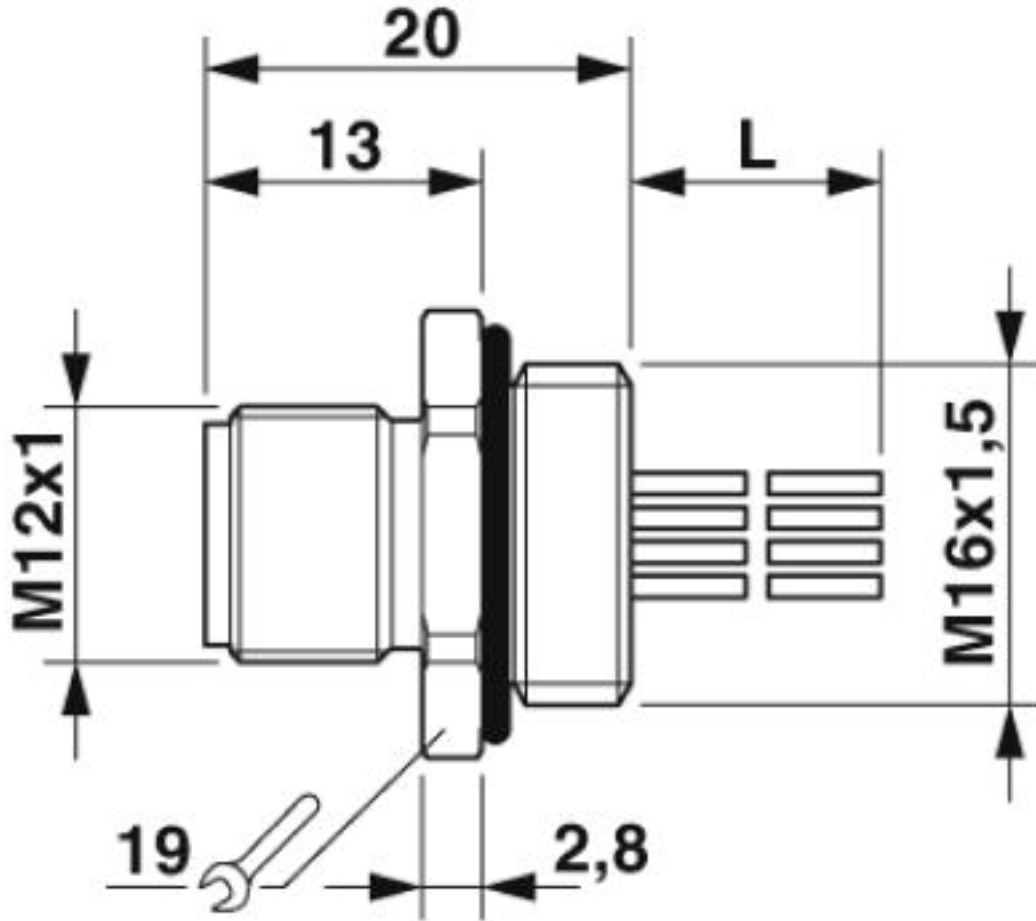
Schematic diagram



Pin assignment M12 plug, 8-pos., view plug side

Flush-type connector - SACC-E-M12MS-8P-M16XL/0,5 - 1411581

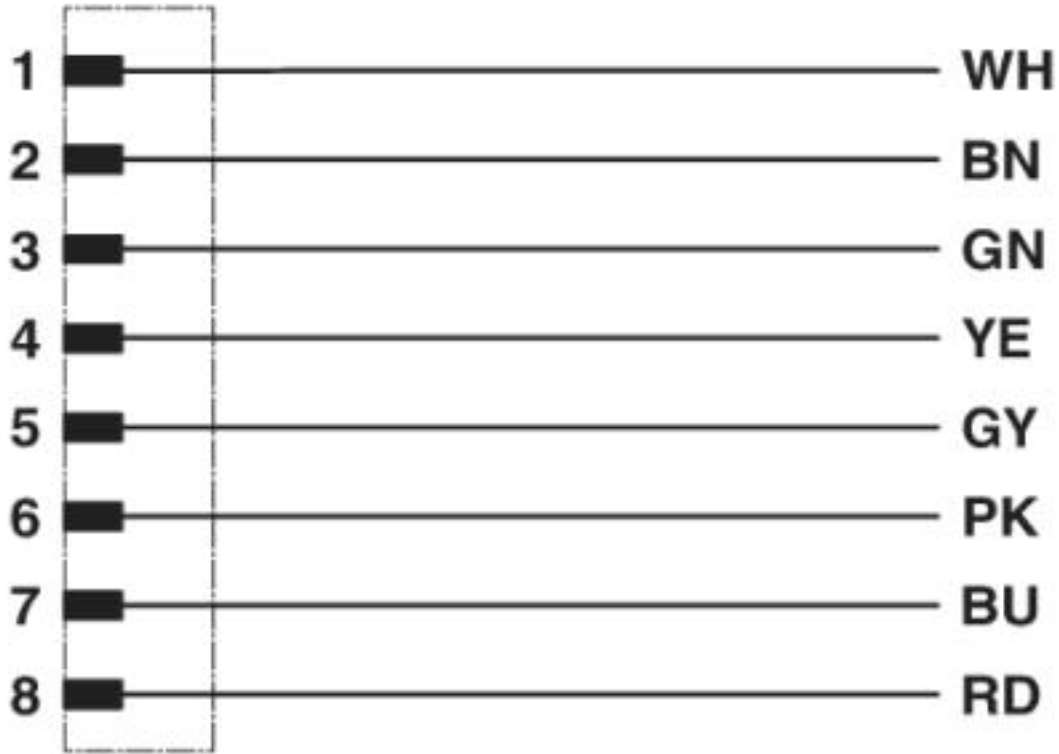
Dimensional drawing



M12 flush-type plug

Flush-type connector - SACC-E-M12MS-8P-M16XL/0,5 - 1411581

Circuit diagram



Contact assignment of the M12 plug

Approvals

Approvals

Approvals

EAC / cULus Recognized


Ex Approvals

Approval details

| | | |
|-----|--|---------|
| EAC | | B.01742 |
|-----|--|---------|

Flush-type connector - SACC-E-M12MS-8P-M16XL/0,5 - 1411581

Approvals

| | | |
|----------------------------|---|--|
| cULus Recognized |  | http://database.ul.com/cgi-bin/XYV/template/LISEXT/1FRAME/index.htm E221474-20140616 |
| Nominal voltage UN | 30 V | |
| Nominal current IN | 2 A | |
| mm ² /AWG/kcmil | 24-22 | |

Phoenix Contact 2019 © - all rights reserved
<http://www.phoenixcontact.com>

PHOENIX CONTACT GmbH & Co. KG
Flachsmarktstr. 8
32825 Blomberg
Germany
Tel. +49 5235 300
Fax +49 5235 3 41200
<http://www.phoenixcontact.com>