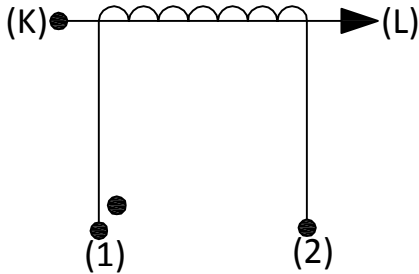


Product Type	Current Transformer
Amgis Part Number	CT1150

SCHEMATIC:



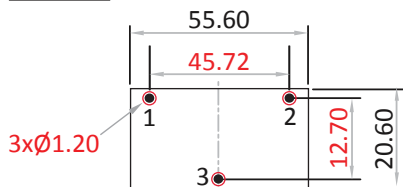
ELECTRICAL SPECIFICATION:

Rated input current	= 150Amps
Primary to Secondary isolation	= 2500VAC
Operating Frequency	= 50 / 60 Hz
Turns Ratio	= 1 : 1000
DC Resistance	= 11.00 Ω
Output Voltage	= 15.0V @ 150A / 100Ω, 2.2500W
Io @ Vrms : 16.60V	= 1820μArms
Ratio Correction factor (RCF*)	= 1.002@10% (Multiply current reading by this factor to compensate for transformer losses)

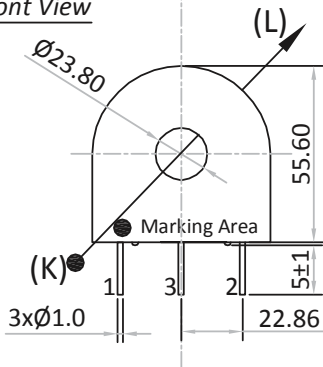
Volt/Amp at rated Ip for different loads			
100Ω	500Ω	2000Ω	5000Ω
0.10	0.37	0.50	0.55

MECHANICAL SPECIFICATION :

Top View (Suggested Pad Layout)



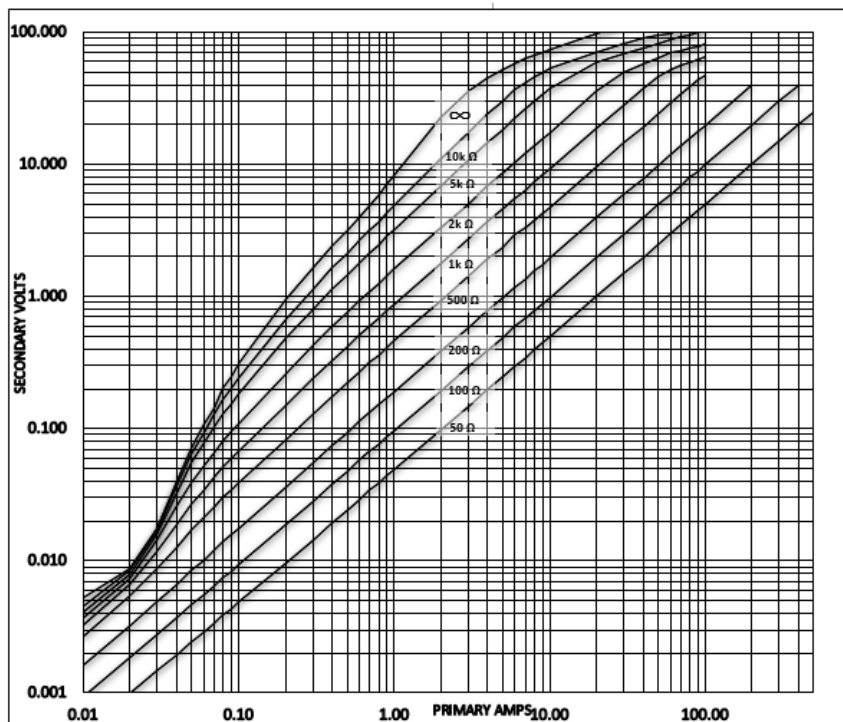
Front View



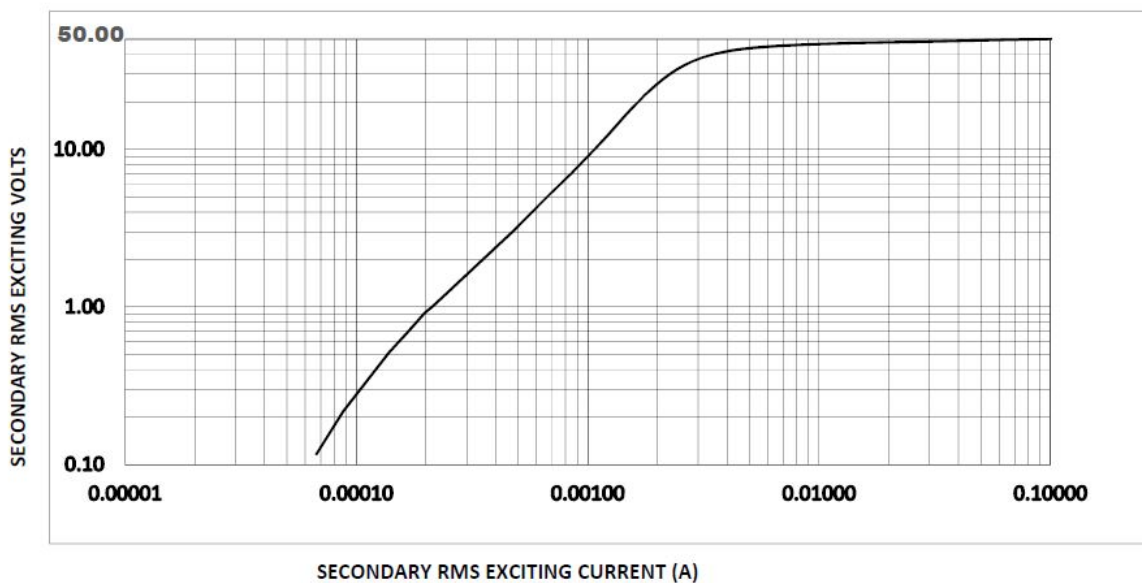
All dimensions are in mm
 Linear dimensional tolerance ±0.2mm

Note : Un-Used pin → #3

OUTPUT RESPONSE vs INPUT CURRENT @ RATED BURDEN :



TYPICAL EXCITATION CURVE :



TRAFO WEIGHT:

Approx. Weight = 0.150 kg / pc

MARKING INFORMATION:

Amgis
CT1150
Yr/Wk code
●
Dot mark for Start pin identification

-----Initial Issue-----	1	0	K.Shanmugam	01-Dec'2015
Changes	Issue	Rev	Initial	Date