

APPLICATIONS

The premium-performance 05-CBLED22-32W-PRM-CP is a low-profile 2' x 2' LED center basket luminaire, which offers industry-leading lumens per watt (LPW). The 05-CBLED22-32W-PRM-CP is designed as a direct replacement for 2' x 2' fluorescent luminaires installed in grid or plaster ceilings. It is also designed to deliver general ambient lighting in a variety of indoor settings, including schools, offices, hospitals and stores, and is the perfect choice for both new construction and retrofits. This high-efficacy luminaire provides long-life and uniform illumination, as well as standard 0-10vdc dimming capability.

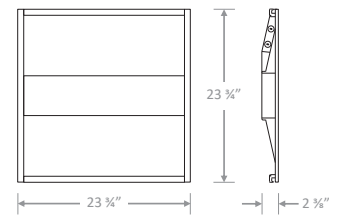
FEATURES

- Available in 3000k (warm white), 3500k (warm/neutral white), 4000k (neutral white) & 5000k (cool white) color temperatures.*
- Long-life LEDs provide 199,000 hours of operation with at least 70% of initial lumen output (L_{70}).**
- Provides 4,195 luminaire lumens (131 lumens per watt, LPW) at 3000k; 4,293 luminaire lumens (134 LPW) at 3500k; 4,371 luminaire lumens (137 LPW) at 4000k; and 4,527 luminaire lumens (141 LPW) at 5000k.*
- Uniform illumination with no visible LED pixelation.
- Universal 120-277 AC voltage (50-60Hz) is standard.
- 0-10vdc dimming capability is standard.
- Power factor > 0.90.
- Total harmonic distortion < 20%.
- Color rendering index > 80.
- Steel housing and acrylic lens.
- Easy installation in new construction or retrofit. Fits in standard 2' x 2' grid ceilings.
- Standard earthquake clips provide secure installation in grid ceilings.
- Standard mounting options include recessed mounting in grid ceilings, or suspended mounting using attached hanging brackets. For other mounting options, see Mounting Kits.

* Contact factory for other color temperatures and lumen packages.

** L_{70} hours are IES TM-21-11 calculated hours.

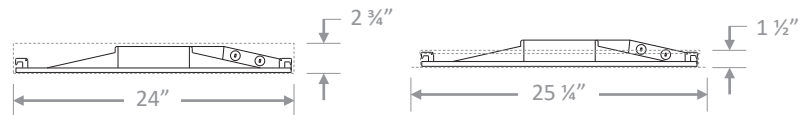
DIMENSIONS



MOUNTING KITS

Optional **Surface Mount Kits** (LEDSMKT-22) provide for installation on plaster or other hard ceilings.

Flange Mount Kit (FLANGEKIT22-ET) mounts above plaster or other hard ceilings, and the center basket is mounted flush to the ceiling.



WARRANTY & LISTINGS

- UL listed for damp locations and insulated ceilings (IC-rated) for use in ambient temperatures from -20°C to 40°C (-4°F to 104°F).
- DLC Premium listed.
- Flicker-free per IEEE1789-2015 (low risk of adverse effects of flicker at 100% light output level).
- Complies with RoHS (Restriction on Hazardous Substances) requirements.
- Complies with FCC Part 15, part B.
- Complies with IEEE C.62.41-1991, input transient surge protection (2kV).
- 5-year warranty of all electronics and housing.

PRODUCT PARAMETER

MODEL	LUMINAIRE WATTS	LUMINAIRE LUMENS	LUMENS PER WATT	COLOR TEMPERATURE	INPUT VOLTAGE	DLC LISTING	OPTIONS
CLTR22D-3230	32	4195	131	3000K	(120-277V)	DLC Premium	SMK22 = Surface Mounting Kit for 2x2 FLANGE22 = Flange Mounting Kit for 2x2 PNL-CMK6 = Cable Mounting Kit, Quantity 6, 1 meter long, 1/16" diameter, with spring clips & adjustable, locking ceiling attachment
CLTR22D-3235	32	4293	134	3500K			
CLTR22D-3240	32	4371	137	4000K			
CLTR22D-3250	32	4527	141	5000K			

ELECTRICAL DATA

MODEL	COLOR TEMP.	CRI ¹	LUMINAIRE LUMENS	LUMINAIRE WATTS	LUMENS/WATT	INPUT VOLTAGE ²	INPUT CURRENT (A)			POWER FACTOR	THD ³	L ₇₀ HOURS ⁴
							120V	240V	277V			
CLTR22D-4030	3000k	>80	4195	32	131	120-277	0.27	0.13	0.12	>90%	<20%	199,000
CLTR22D-4035	3500k	>80	4293	32	134	120-277	0.27	0.13	0.12	>90%	<20%	199,000
CLTR22D-4040	4000k	>80	4371	32	137	120-277	0.27	0.13	0.12	>90%	<20%	199,000
CLTR22D-4050	5000k	>80	4527	32	141	120-277	0.27	0.13	0.12	>90%	<20%	199,000

¹ Color rendering index.

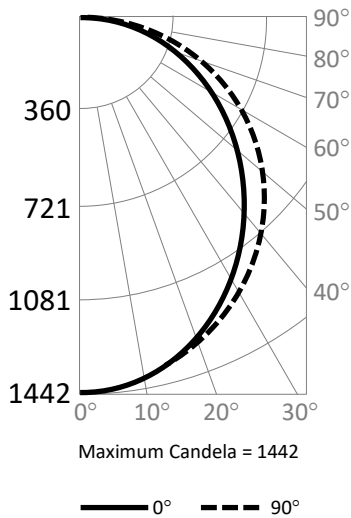
² All 50-60Hz.

³ Total harmonic distortion.

⁴ L₇₀ refers to the number of hours at which lumen output declines to 70% of the initial level. L₇₀ hours are IES TM-21-11 calculated hours.

PHOTOMETRIC DATA

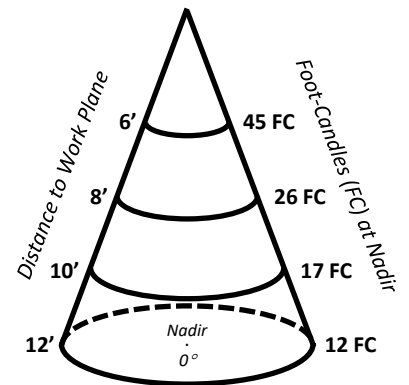
CLTR22D-3250 (4,195 Lumens)



Candlepower Summary		
	0°	90°
0°	1,437	1,437
10°	1,401	1,406
20°	1,307	1,325
30°	1,158	1,204
40°	972	1,051
50°	762	887
60°	541	723
70°	318	561
80°	117	314
90°	1	1

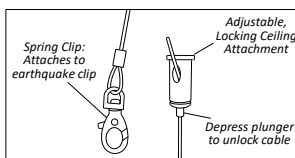
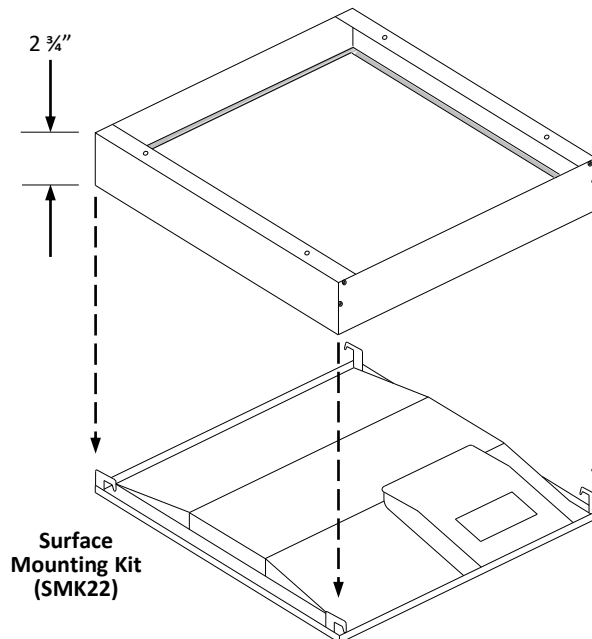
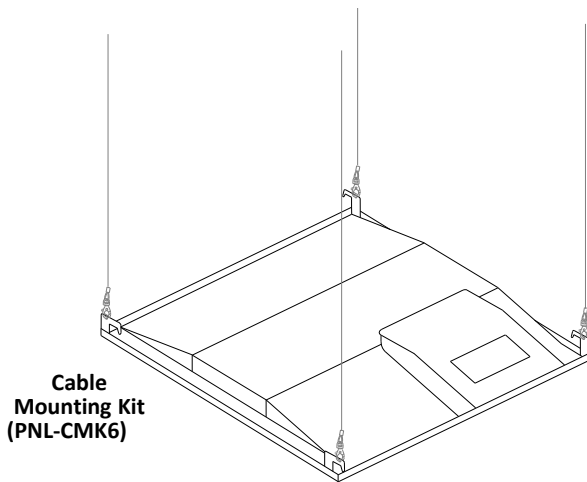
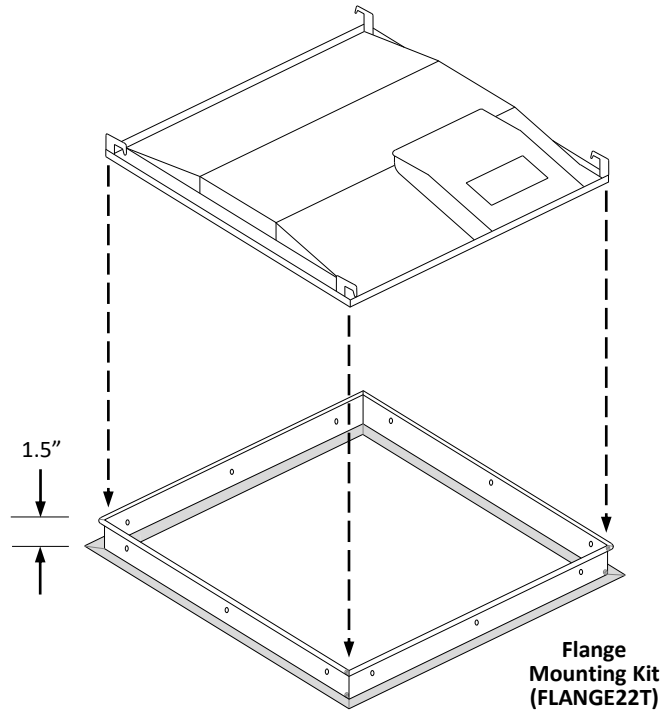
Zonal Lumen Summary		
Zone	Lumens	% Fixture
0° - 10°	136	3.2%
0° - 20°	523	12.5%
0° - 30°	1,105	26.3%
0° - 40°	1,799	42.9%
0° - 50°	2,515	60.0%
0° - 60°	3,173	75.6%
0° - 70°	3,712	88.5%
0° - 80°	4,081	97.3%
0° - 90°	4,188	99.8%
90° - 180°	7	0.2%
0° - 180°	4,195	100.0%

Cone of Light



MOUNTING KITS (Continued)

- Optional Surface Mounting Kit (SMK22) mounts below the ceiling.
- Optional Flange Mount Kit provides for recessed installation on plaster or other hard ceilings. Attach Flange Mount Kit (FLANGE22) to ceiling joists or other stationary structures, and the panel is mounted flush to the ceiling.
- Optional Cable Mount Kit provides additional security, as well as suspended mounting. Attach one end of the Cable Mount Kit (PNL-CMK6) to luminaire earthquake clips using spring clips, and attach the other end to stationary structures using the adjustable, locking ceiling attachment (see picture below right).



- Cable Mount Kit:**
- Spring Clip
 - Adjustable, locking ceiling attachment