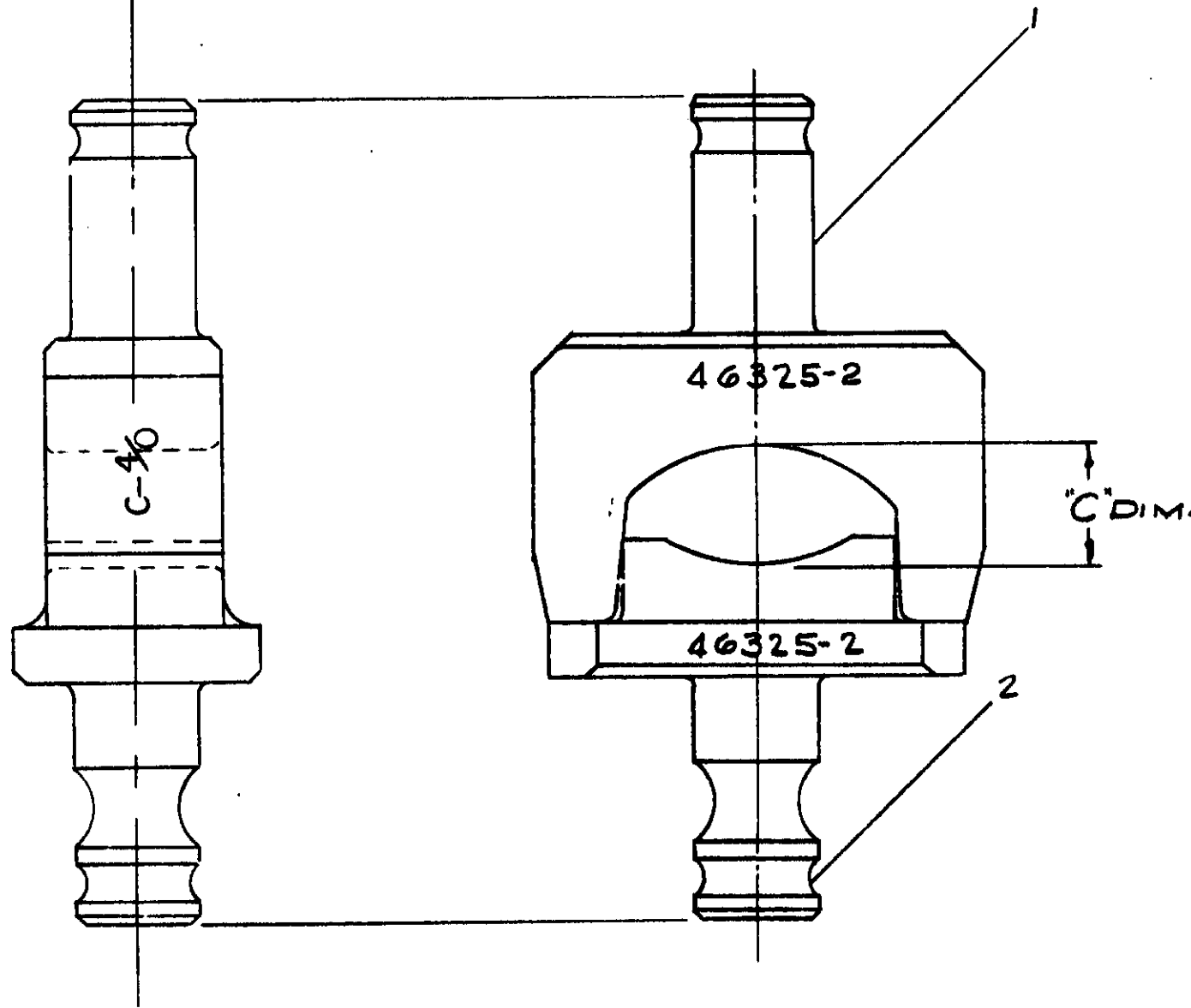


"C" DIM.	
GO	NO GO
.377	.387

Gage dimensions apply when tool is bottomed but not under pressure.



1	B	4-305688-5	INDENTER	4	
1	B	4-305687-5	NEST	1	
DWG. NO.	SIZE	NUMBER	NAME	REMARKS	ITEM NO.

LTR	REVISION RECORD	DR	CHK	DATE
A	REVISED	CM		3-27

46325-2	REQUIRED PER ASSEMBLY
	DESCRIPTION

©1961 BY AMP INCORPORATED. ALL RIGHTS RESERVED.  
AMP PRODUCTS COVERED BY PATENTS AND/OR PATENTS PENDING.

CUSTOMER COPY REFERENCE ONLY

AMP INCORPORATED HARRISBURG, PENNA.

DR: *A. Mow* 8-30-61  
CHK: *R. Wittig* 9-9-61

WIRE - RANGE - INSULATION: *4/0*

TOLERANCE EXCEPT AS NOTED:  $\pm .015$   $\pm 1' 0''$  SCALE: 2:1

LOC: M NO: B 46325-2 REV: A

APP: *J. K. Schmeier* 9/9/61 NAME: DIE ASSEMBLY

DIMENSIONS IN INCHES. DO NOT SCALE PRINT.