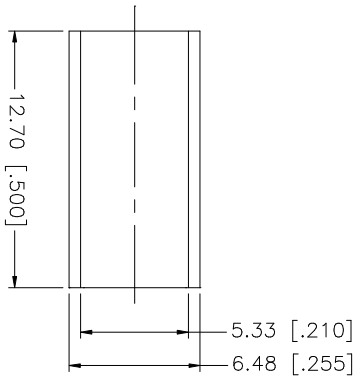
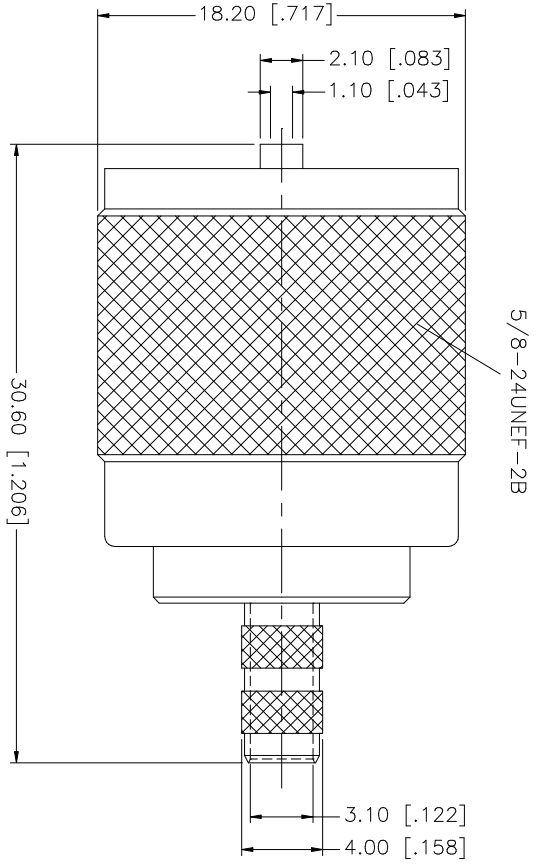
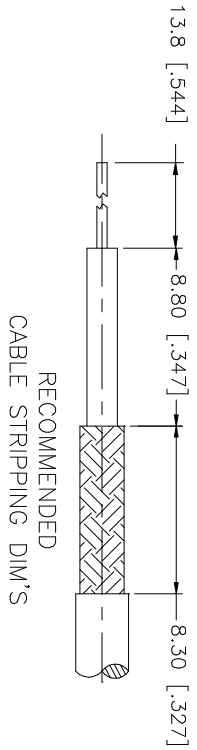


REV.	DATE	DESCRIPTION
A	02/27/01	ADD CABLE DESCRIPTION
B	07/29/02	MODIFY PART SIZE AND DESCRIPTION
C	01/17/06	UPDATE DRAWING FORMAT



QTY	DESCRIPTION	MATERIAL	FINISH	QTY	UNLESS OTHERWISE SPECIFIED DIMENSIONS ARE IN INCHES AND FOR CUSTOMER REFERENCE ONLY. TOLERANCES FOR MILLIMETERS ARE:	APPROVALS	DATE	PART DESCRIPTION	
1	8 FERRULE	COPPER	NICKEL	1	UNLESS OTHERWISE SPECIFIED TOLERANCES FOR MILLIMETERS ARE:	DRAWN	G.R.S.	01/17/06	<p style="text-align: center;"><b>Amphenol Connex</b></p> <p style="text-align: center;">UHF CRIMP PLUG (FOR RG-142/U CABLE)</p> <p style="text-align: center;">182310</p>
1	7 HEX NUT	BRASS	NICKEL	1	0.5 - 8mm ± 0.20mm	CHECKED			
1	6 WASHER	BRASS	NICKEL	1	8 - 30mm ± 0.40mm	ISSUED			
1	4 GASKET	SILICONE	RED	1	30 - 120mm ± 0.50mm	SHEET	1 OF 1		
1	3 CONTACT PIN	BER. COPPER	GOLD	1	UNLESS OTHERWISE SPECIFIED TOLERANCES FOR INCHES ARE:	CAD FILE			
1	2 INSULATOR BODY	TEFLON BRASS	NATURAL NICKEL	1	.020 - .315 = ± 0.007"	DWG. NO.	182310.DWG		
1	1			1	.315 - 1.180 = ± 0.015"	REV.	C		
1	1			1	1.180 - 4.724 = ± 0.020"	SIZE	A		
	DESCRIPTION	MATERIAL	FINISH	QTY	DO NOT SCALE DRAWING	SCALE	NA		