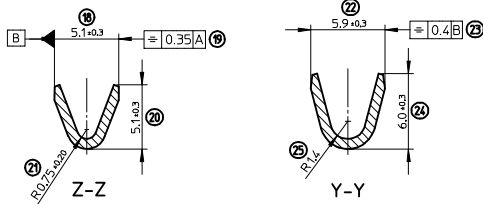
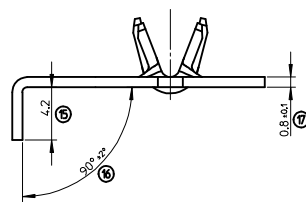
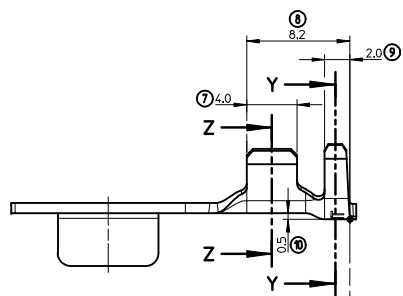
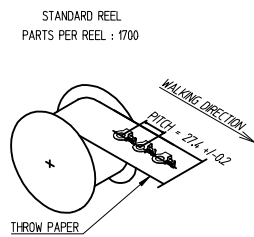


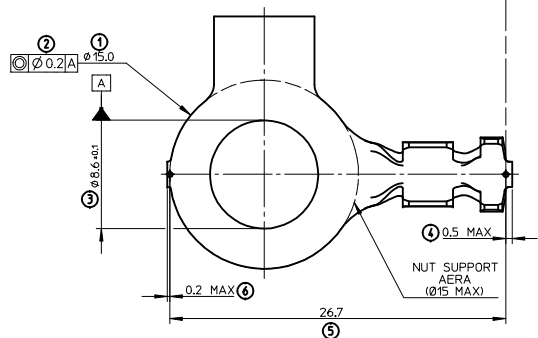
SECTIONS



PACKAGING



ATTACHED LINE DIMENSION



MARKING :

1 - ENGINEERING CONTROL ID

NOTES :

- 1 - MATERIAL : BRASS
- 2 - PLATING : PRE-TIN PLATED
- 3 - CRIMPING RANGE (mm<sup>2</sup>) : 1.5 TO 2.5
- 4 - PACKAGING : PARTS DELIVERED ON STRIP (SEE VIEW)

INSPECTION BALLOON NUMBER LOG

PER DRAWING REVISION : A  
 LAST BALLOON NUMBER USED : 25  
 ADDED BALLOON NUMBERS : NONE  
 REMOVED BALLOON NUMBERS : NONE

FIRST RELEASE IEC NO: G2013-0276 DRAWN BY: DRW/PBOSQUAIN CHECKED BY: JDUCLLOS APPROVED BY: APPR/OPLESSIS	QUALITY SYMBOLS ∇=0 ∇=0 ∇=0	GENERAL TOLERANCES (UNLESS SPECIFIED) mm INCH 4 PLACES ± --- ± --- 3 PLACES ± --- ± --- 2 PLACES ± --- ± --- 1 PLACE ± 0.2 ± --- 0 PLACE ± --- ± --- ANGULAR ± --- ° DRAFT WHERE APPLICABLE MUST REMAIN WITHIN DIMENSIONS	DIMENSION STYLE MM ONLY	SCALE 5:1	DESIGN UNITS METRIC	FIRST ANGLE PROJECTION	
	DRAWN BY: PBOSQUAIN DATE: 2013/04/24	CHECKED BY: JDUCLLOS DATE: 2017/09/06	APPROVED BY: OPLESSIS DATE: 2017/09/28	MATERIAL NO. 0988601329	DOCUMENT NO. SD-98860-008	SHEET NO. 1 OF 1	TITLE RING TERMINAL 8X15X0.8 1.5-2.5
	THIS DRAWING CONTAINS INFORMATION THAT IS PROPRIETARY TO MOLEX INCORPORATED AND SHOULD NOT BE USED WITHOUT WRITTEN PERMISSION						