

APPLICATIONS

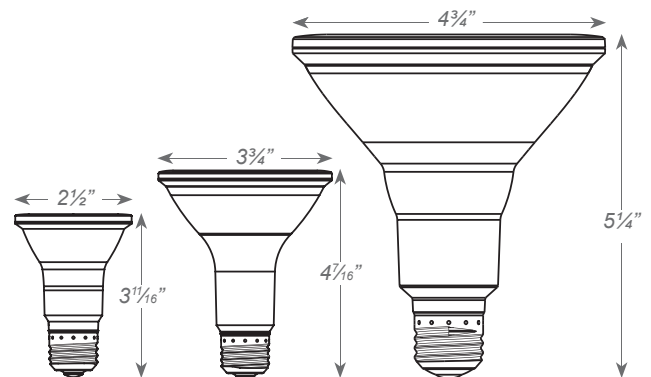
The LED PAR20/PAR30/PAR38 lamps use in recess down lights, track and outdoor security lights. These are long life maintenance free LED replacement lamps.

FEATURES

- Direct incandescent replacement
- 25° Beam angle
- E26 medium Edison Screw-in base
- Built-in high efficiency LED driver
- 25,000 hour life span
- ENERGY STAR certified
- ETL listed for damp locations (-20°C - 40°C)
- **5 year warranty** on all electronics and housing



STANDARD



COMPATIBLE DIMMERS	MODEL NUMBERS
Lutron Maestro C-L	MACL-153MR
Lutron Skylark C-L	SCL-153P
Leviton Sureslide	6674
Lutron	PD-6WCL
Legrand Harmony	HCL453PTCCCV6

MODEL	LUMENS	COLOR TEMPERATURE	CRI	WATTS
CBPAR20-630	450	3000K (±175)	80	6W
CBPAR20-650	450	5000K (±283)	80	6W
CBPAR30-930	750	3000K (±175)	80	9W
CBPAR30-950	750	5000K (±283)	80	9W
CBPAR38-1330	1050	3000K (±175)	80	13W
CBPAR38-1350	1200	5000K (±283)	80	13W