

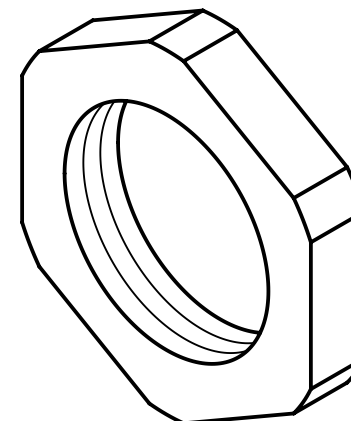
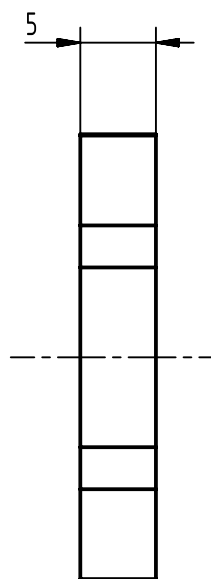
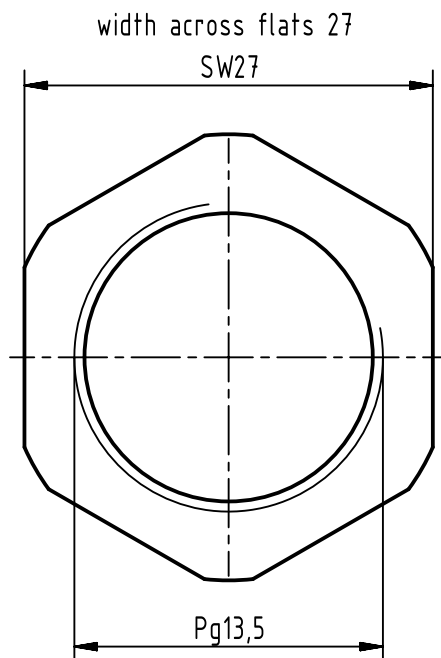
1 2 3 4 5 6


A

B

C

D



	All rights reserved Department EC PD - DE	All Dimensions in mm Original Size DIN A4		Scale 2:1	Free size tol.		Ref.	
		HARTING Electronics GmbH D-32339 Espelkamp		Created by HARLASS	Inspected by GENAU	Standardisation KOHLER	Date 2013-08-01	State Final Release
Title Locknut Pg13.5							Doc-Key / ECM-Nr. 100101515/UGD/001/B 500000064810	
Type TB				Number 21010000007			Rev. B	Page 1/1