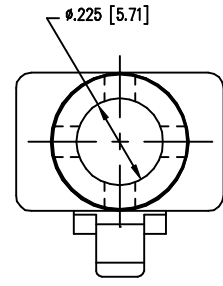
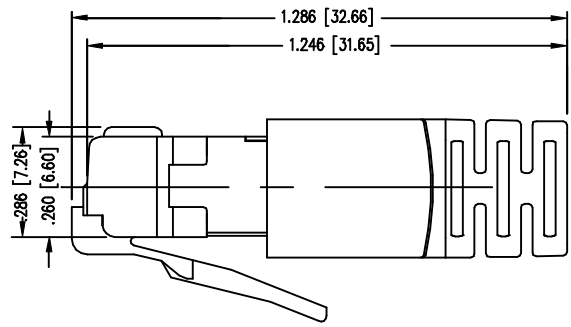
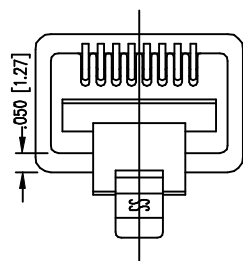
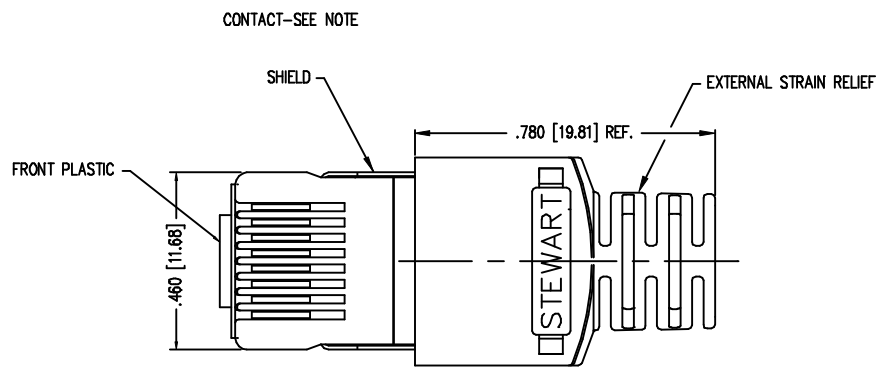


DATE	REV	ECN	APP'D. BY
5-5-03	A0	5995	JM



CONSISTING OF:
 PRE-INSERTED FRONT & SHIELD ASSY.- P.N. 937-SP-360808-FS-A92
 HOUSING- P.N. 361010-SRX-225-A161
 MANAGEMENT BAR- P.N. 360808-MB-A92
 FERRULE- P.N. F-235-205-L

- NOTES:
 - TOLERANCES COMPLY WITH F.C.C. DIMENSION REQUIREMENTS.
 ALL OTHERS $\pm .003 [0.08]$ UNLESS OTHERWISE SPECIFIED.
 - DIMENSIONS NOT SHOWN COMPLY WITH F.C.C. REQUIREMENTS
 - 937 FOR TINSEL CONDUCTOR
 - "A218" IN PART NUMBER DESIGNATES .465 HOUSING LENGTH, EXTERNAL STRAIN RELIEF WITH .225 DIA.CABLE OPENING (SRX-225),MANAGEMENT BAR VERSION

50 MICRO-INCHES [1.27um]	937-SP-360808-A218
30 MICRO-INCHES [0.76um]	-
CONTACT PLATING IN MATING AREA	PART NUMBER

THIRD ANGLE PROJECTION

 DO NOT SCALE DRAWING
 DRAWING IS SUBJECT TO
 CHANGE WITHOUT NOTICE
 DIMENSIONS: INCHES [METRIC]
 UNLESS OTHERWISE SPECIFIED
 TOLERANCES ARE $\pm .005 [0.13]$
 ANGLES ARE $\pm 1^\circ$
 SHEET NO. 1 OF 1

11118 Susquehanna Trail South
 Glen Rock, PA 17327-9199
 (717) 235-7512 Fax: (717) 235-7954
<http://www.stewartconnector.com>

TITLE: 8 X 8 SHIELDED PLUG

DRN BY: JAF	DATE 5-5-03
CKD BY: JAF	DATE 5-5-03
APPD BY: JM	DATE 5-5-03
DWG NO. CT360094	REV. A0

THIS DRAWING AND THE SUBJECT MATTER SHOWN THEREON ARE CONFIDENTIAL AND THE PROPRIETARY PROPERTY OF STEWART AND SHALL NOT BE REPRODUCED, COPIED OR USED IN ANY MANNER WITHOUT PRIOR WRITTEN CONSENT OF STEWART. THE SUBJECT MATTER MAY BE PATENTED OR A PATENT MAY BE PENDING.